

**ITALTRUCK**  
COMMERCIAL VEHICLE COMPONENTS

ITALTRUCK COMMERCIAL VEHICLE COMPONENTS

# INDEX

STEEL & STAINLESS STEEL TOOLBOXES	A1 - A30
ALUMINIUM TOOLBOXES	B1 - B6
PLASTIC TOOLBOXES	D1 - D16
FIRE EXTINGUISHER BOXES	E1 - E8
DOCUMENT BOXES	F1 - F2
PLASTIC WATER TANKS	G1 - G4
STAINLESS STEEL WATER TANKS	H1 - H2
SIDEGUARD SYSTEMS (VCA Type Approved)	i1 - i20
WHEEL CARRIERS	J1 - J6
LIGHTBARS & BUFFERS	K1 - K8
LOAD BONDING TRACK	L1 - L2
ACCESS LADDERS	M1 - M16
WHEEL CHOCKS	N1 - N4
MUDGUARDS	O1 - O16
SAFETY PRODUCTS	P1 - P10
BODY COMPONENTS	Q1 - Q4
REFLECTIVE TAPES	R1 - R11
NOTES	S1 - S2
WCS CERTIFICATE OF REGISTRATION	T1



# STEEL & STAINLESS STEEL TOOLBOXES



E11 73R-011107

E11\*73R01/01\*1183\*00

E11 73R-011108



## BAWER V37 SERIES POLISHED STAINLESS STEEL

Polished Stainless Steel 1.5mm - Laser and or TIG welding - Euroinox Lock system - Water Resistant - Optional: Lid orientation - Internal partitions - Gas springs - Pullout drawer - Internal mat - Aerator - Bespoke dimensions and Logo

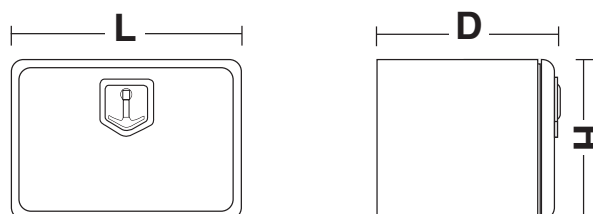


Our BAWER toolboxes are approved as lateral protection devices (LPD). These products show the approval number on the side of the boxes. The approval number for the toolboxes is:

E11 73R-011107



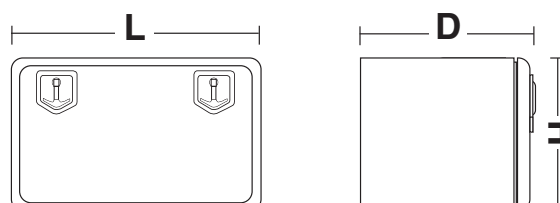
Code	Dimensions mm			Weight kg
	L	H	D	
V3715	500	350	400	12.2
V3720	600	400	500	15.2



## BAWER V37 POLISHED STAINLESS STEEL WITH 2 LOCKS



Code	Dimensions mm			Weight kg
	L	H	D	
V3725	800	500	500	24.3
V3730	1000	500	500	30.1
V3735	1200	500	500	34.8
V3740	1450	500	500	40.8



## BAWER V36 SERIES MATT STAINLESS STEEL POLISHED LID

Matt Stainless Steel Body - Polished Stainless Steel Lid 1.5mm - Laser and or TIG welding - Euroinox Lock system - Water Resistant - Optional: Lid orientation - Internal partitions - Gas springs - Pullout drawer - Internal mat - Aerator - Bespoke dimensions and Logo



Our BAWER toolboxes are approved as lateral protection devices (LPD).

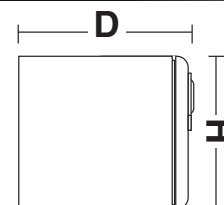
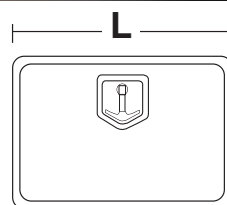
These products show the approval number on the side of the boxes.

The approval number for the toolboxes is:

E11 73R-011107



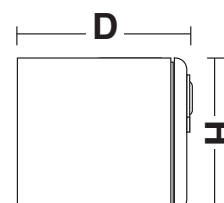
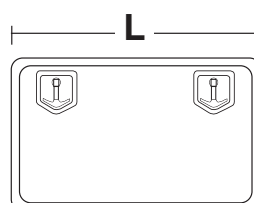
Code	Dimensions mm			Weight kg
	L	H	D	
V3615	500	350	400	12.2
V3620	600	400	500	15.2



## BAWER V36 MATT STAINLESS STEEL POLISHED LID 2 LOCKS



Code	Dimensions mm			Weight kg
	L	H	D	
V3625	800	500	500	24.3
V3630	1000	500	500	30.1
V3635	1200	500	500	34.8
V3640	1450	500	500	40.8



# BAWER V40 SERIES FLOWERED STAINLESS STEEL

Flowered Stainless Steel Body & Lid - 1.5mm - Laser and or TIG welding - Europlex Lock system - Water Resistant - Optional: Lid orientation - Internal partitions - Gas springs - Pullout drawer - Internal mat - Aerator - Bespoke dimensions and Logo



Our BAWER toolboxes are approved as lateral protection devices (LPD).

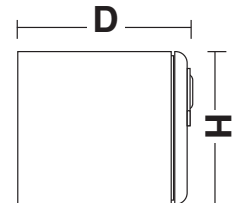
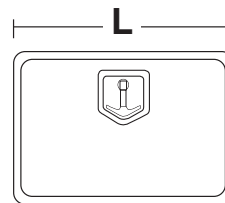
These products show the approval number on the side of the boxes.

The approval number for the toolboxes is:

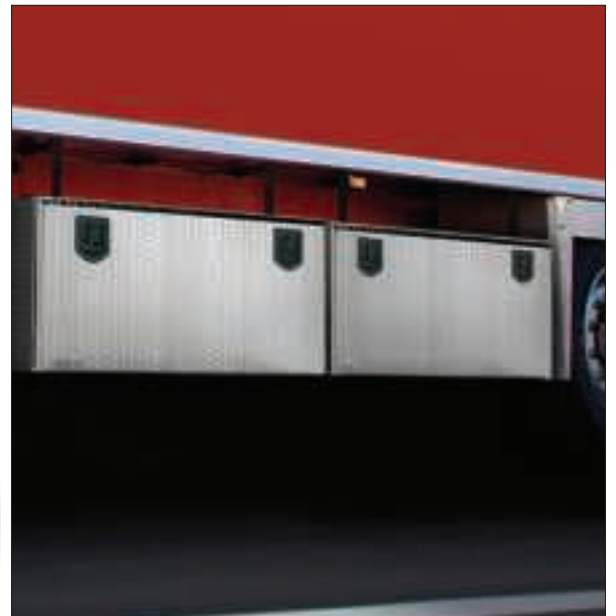
E11 73R-011107



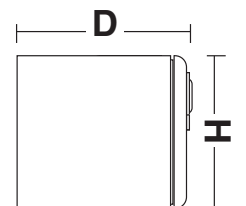
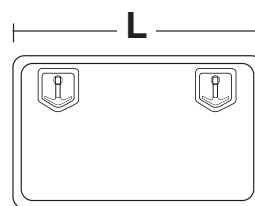
Code	Dimensions mm			Weight kg
	L	H	D	
V4015	500	350	400	12.2
V4020	600	400	500	15.2



# BAWER V40 FLOWERED STAINLESS STEEL WITH 2 LOCKS



Code	Dimensions mm			Weight kg
	L	H	D	
V4025	800	500	500	24.3
V4030	1000	500	500	30.1
V4035	1200	500	500	34.8
V4040	1450	500	500	40.8



# BAWER V45 SERIES FLOWERED STAINLESS STEEL

Flowered Stainless Steel Body & Lid 1.5mm - Laser and or TIG welding - Euroinox Lock system - Water Resistant - Optional: Lid orientation - Internal partitions - Gas springs - Pullout drawer - Internal mat - Aerator - Bespoke dimensions and Logo



Our BAWER toolboxes are approved as lateral protection devices (LPD).

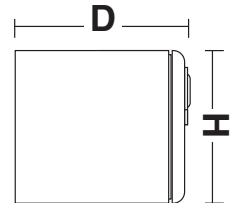
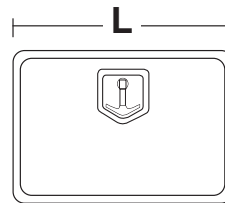
These products show the approval number on the side of the boxes.

The approval number for the toolboxes is:

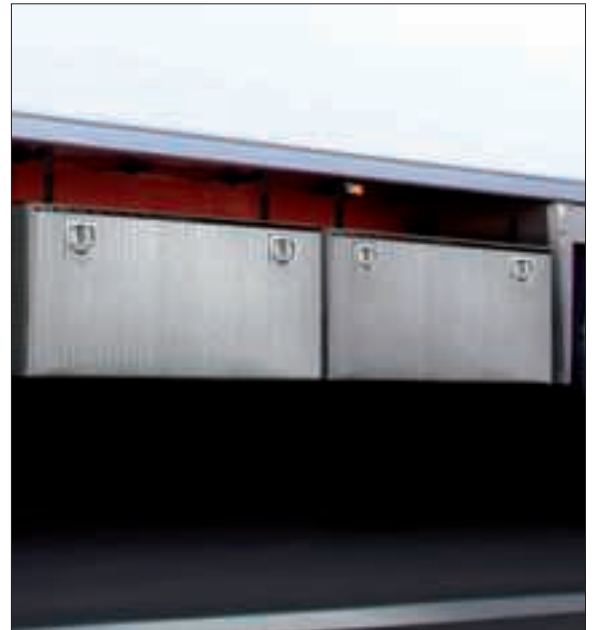
E11 73R-011107



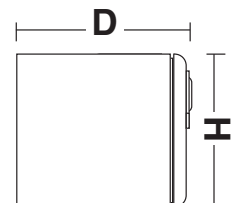
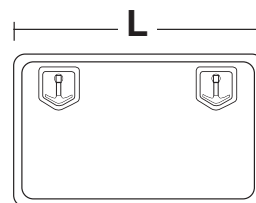
Code	Dimensions mm			Weight kg
	L	H	D	
V4515	500	350	400	12.2
V4520	600	400	500	15.2



# BAWER V45 FLOWERED STAINLESS STEEL WITH 2 LOCKS



Code	Dimensions mm			Weight kg
	L	H	D	
V4525	800	500	500	24.3
V4530	1000	500	500	30.1
V4535	1200	500	500	34.8
V4540	1450	500	500	40.8





# BAWER V30 SERIES MATT STAINLESS STEEL

Matt Stainless Steel Body & Lid 1.5mm - Laser and or TIG welding- Europlex Lock system - Water Resistant- Optional: Lid orientation - Internal partitions - Gas springs - Pullout drawer - Internal mat-Aerator - Bespoke dimensions and Logo



Our BAWER toolboxes are approved as lateral protection devices (LPD).

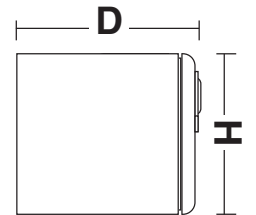
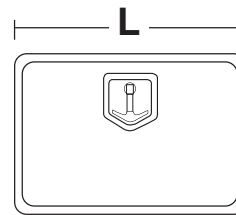
These products show the approval number on the side of the boxes.

The approval number for the toolboxes is:

E11 73R-011107



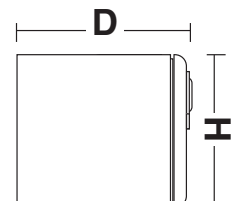
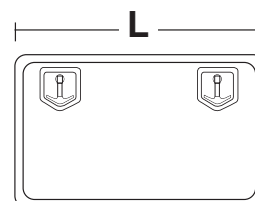
Code	Dimensions mm			Weight kg
	L	H	D	
V3009	400	300	300	9.3
V3015	500	350	400	12.2
V3020	600	400	500	15.2
V302095	600	400	400	15.0



# BAWER V30 MATT STAINLESS STEEL WITH 2 LOCKS



Code	Dimensions mm			Weight kg
	L	H	D	
V3025	800	500	500	24.3
V3030	1000	500	500	30.1
V303043	1000	400	400	27.5
V3035	1200	500	500	34.8
V303510	1200	400	400	33.0
V3040	1450	500	500	40.8



# BAWER V35 SERIES MATT STAINLESS STEEL

Matt Stainless Steel Body & Lid 1.5mm - Laser and or TIG welding- Europlex Lock system - Water Resistant- Optional: Lid orientation - Internal partitions - Gas springs - Pullout drawer - Internal mat-Aerator - Bespoke dimensions and Logo



Our BAWER toolboxes are approved as lateral protection devices (LPD).

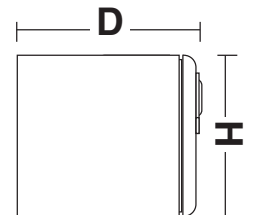
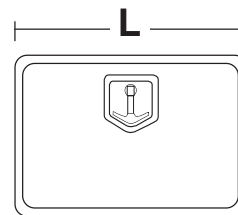
These products show the approval number on the side of the boxes.

The approval number for the toolboxes is:

E11 73R-011107



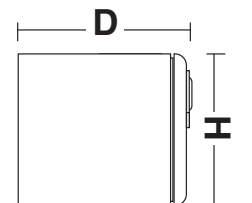
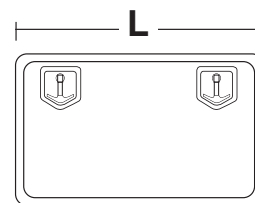
Code	Dimensions mm			Weight kg
	L	H	D	
V3509	400	300	300	9.3
V3515	500	350	400	12.2
V3520	600	400	500	15.2
V352003	600	600	600	30.7
V352095	600	400	400	15.2



# BAWER V35 MATT STAINLESS STEEL WITH 2 LOCKS



Code	Dimensions mm			Weight kg
	L	H	D	
V3525	800	500	500	24.3
V3530	1000	500	500	30.1
V353043	1000	400	400	27.5
V3535	1200	500	500	34.8
V353510	1200	400	400	33.0
V3540	1450	500	500	40.8



## BAWER V25 SERIES BLACK POWDER COATED STEEL

Black Powder Coated Body & Lid - Laser and or TIG Welding- Europlex Lock system - Water Resistant-Optional: Lid orientation - Internal partitions - Gas springs - Pullout drawer - Internal Mat-Aerator - Bespoke dimensions and Logo



Our BAWER toolboxes are approved as lateral protection devices (LPD).

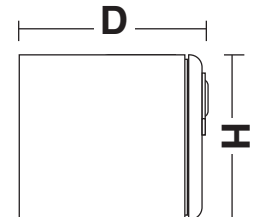
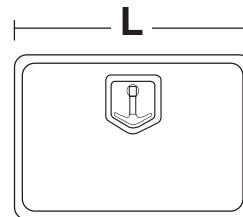
These products show the approval number on the side of the boxes.

The approval number for the toolboxes is:

E11 73R-011107



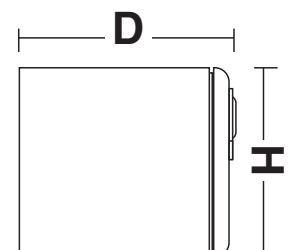
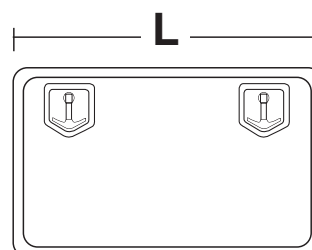
Code	Dimensions mm			Weight kg
	L	H	D	
V2515	500	350	400	12.2
V2520	600	400	500	15.2
V252087	600	400	400	13.6
V252546	800	300	600	24.3



## BAWER 25 STEEL WITH 2 LOCKS



Code	Dimensions mm			Weight kg
	L	H	D	
V252550	800	400	400	24.3
V2525	800	500	500	24.3
V2530	1000	500	500	30.1
V253062	1000	400	400	27.5
V2535	1200	500	500	34.8
V253530	1200	400	400	33.0
V2540	1450	500	500	40.8

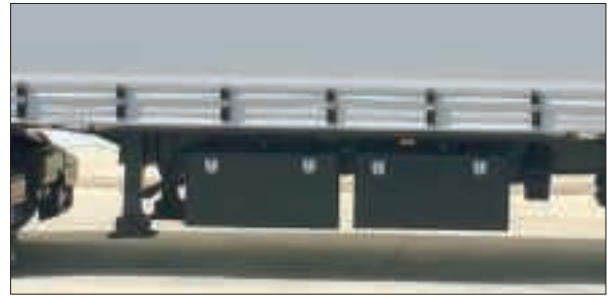


# BAWER V25 SERIES BLACK WITH STAINLESS STEEL LOCK

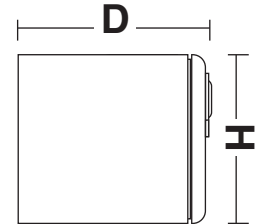
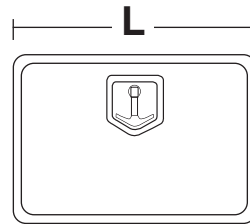
Black Powder Coated Body & Lid - Laser and or TIG Welding- Europlex Lock system - Water Resistant-Optional: Lid orientation - Internal partitions - Gas springs - Pullout drawer - Internal Mat-Aerator - Bespoke dimensions and Logo



Our BAWER toolboxes are approved as lateral protection devices (LPD). These products show the approval number on the side of the boxes. The approval number for the toolboxes is:  
 E11 73R-011107



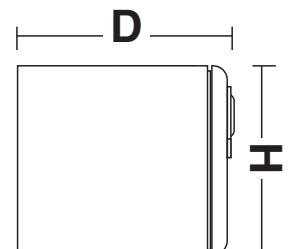
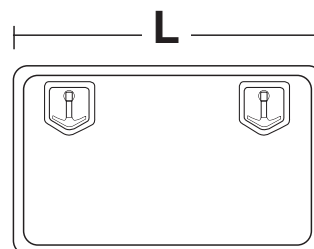
Code	Dimensions mm			Weight kg
	L	H	D	
V2515S	500	350	400	12.2
V2520S	600	400	500	15.2
V252087S	600	400	400	13.6
V252546S	800	300	600	24.3



# BAWER V25 BLACK STEEL WITH 2 STAINLESS STEEL LOCKS



Code	Dimensions mm			Weight kg
	L	H	D	
V252550S	800	400	400	24.3
V2525S	800	500	500	24.3
V2530S	1000	500	500	30.1
V253062S	1000	400	400	27.5
V2535S	1200	500	500	34.8
V253530S	1200	400	400	33.0
V2540S	1450	500	500	40.8





# BAWER V27 SERIES BLACK POWDER COATED POLISHED LID

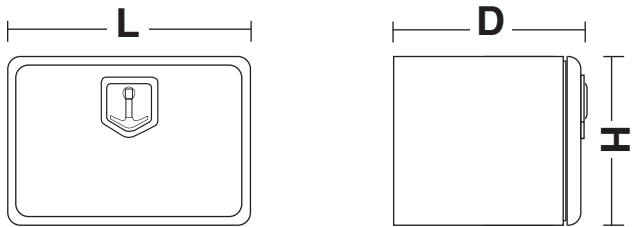
Black Powder Coated Body - Laser and or TIG Welding- Polished Stainless Steel Lid 1.5mm - Euroinox Lock system-Water Resistant - Optional: Lid orientation - Internal partitions - Gas springs - Pullout drawer- Internal Mat - Aerator - Bespoke dimensions and Logo



Our BAWER toolboxes are approved as lateral protection devices (LPD). These products show the approval number on the side of the boxes. The approval number for the toolboxes is:  
 (E11) 73R-011107



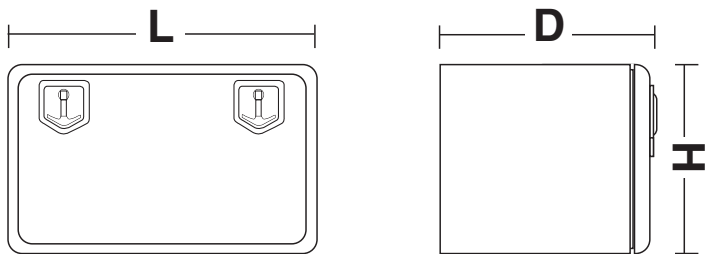
Code	Dimensions mm			Weight kg
	L	H	D	
V2715	500	350	400	12.2
V2720	600	400	500	15.2



# BAWER V27 BLACK POWDER COATED POLISHED LID 2 LOCKS



Code	Dimensions mm			Weight kg
	L	H	D	
V2725	800	500	500	24.3
V2730	1000	500	500	30.1
V2735	1200	500	500	34.8
V2740	1450	500	500	40.8

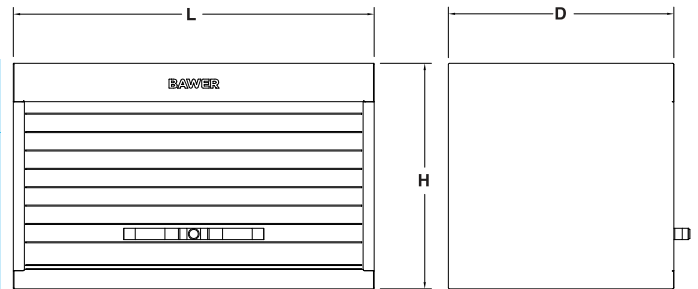


# BAWER V29 SERIES ROLLER SHUTTER STEEL TOOLBOX

Black Powder Coated Steel with White Painted Aluminium Shutter - Laser and or Tig Welding - Key & Lock OPTIONS: Aerator - Internal Mat-Bespoke Sizes



Code	Type	Dimensions mm		
		L	H	D
V2920	Lock	600	500	500
V2925	Lock	800	500	500
V2930	Lock	1000	500	500
V2935	Lock	1200	500	500
V2940	Lock	1450	500	500

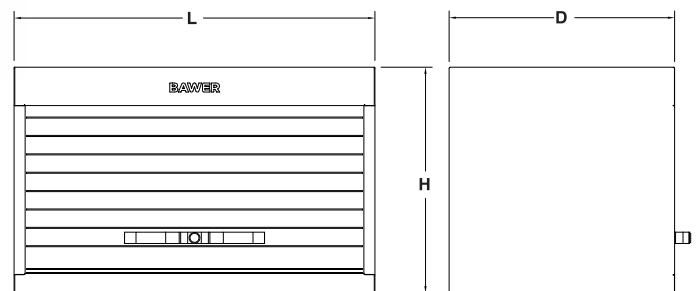


# BAWER V39 ROLLER SHUTTER STAINLESS STEEL TOOLBOX

Stainless Steel - Polished Finish with White Painted Aluminium Shutter - Key & Lock OPTIONS: Aerator - Internal Mat - Bespoke Sizes



Code	Type	Dimensions mm		
		L	H	D
V3920	Lock	600	500	500
V3925	Lock	800	500	500
V3930	Lock	1000	500	500
V3935	Lock	1200	500	500
V3940	Lock	1450	500	500



# BAWER V38 SERIES SLIDING LID STAINLESS STEEL TOOLBOX

Stainless steel - polished finish - Paddle Latch & Key

OPTIONS: Aerator - Internal Mat - Bespoke Sizes

Our BAWER toolboxes are approved as lateral protection devices (LPD).

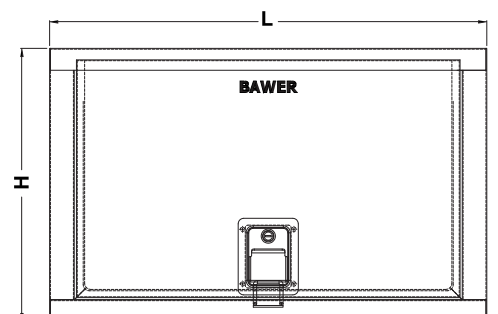
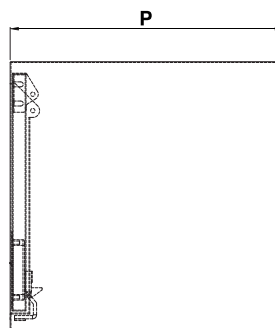
These products show the approval number on the side of the boxes.

The approval number for the toolboxes is:

E11\*73R01/01\*1183\*00



Code	Dimensions mm			Weight kg
	L	H	D	
V3820	600	500	500	24
V3825	800	500	500	29.4
V3830	1000	500	500	34
V3835	1200	500	500	39.6



# BAWER V38 SERIES SLIDING LID STAINLESS STEEL TOOLBOX

Black Powder Coated Body - Polished Stainless Steel Lid 1.5mm - Paddle Latch & Key

OPTIONS: Aerator - Internal Mat - Bespoke Sizes



Our BAWER toolboxes are approved as lateral protection devices (LPD).

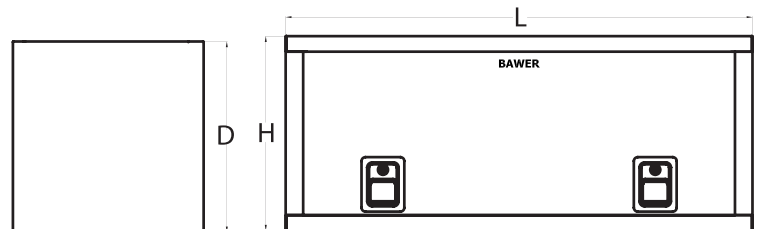
These products show the approval number on the side of the boxes.

The approval number for the toolboxes is:

E11 \*73R01/01\*1183\*00



Code	Dimensions mm			Weight kg
	L	H	D	
V2820	600	500	500	24
V2825	800	500	500	29.4
V2830	1000	500	500	34
V2835	1200	500	500	39.6



# BAWER V34 SERIES LIFTING LID STAINLESS STEEL TOOLBOX

Stainless steel - Euroinox with top strut locking system

OPTIONS: Aerator - Internal Mat - Bespoke Sizes



Our BAWER toolboxes are approved as lateral protection devices (LPD).

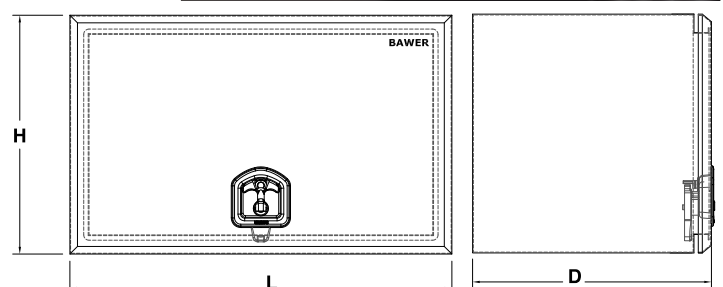
These products show the approval number on the side of the boxes.

The approval number for the toolboxes is:

E11 73R-011107



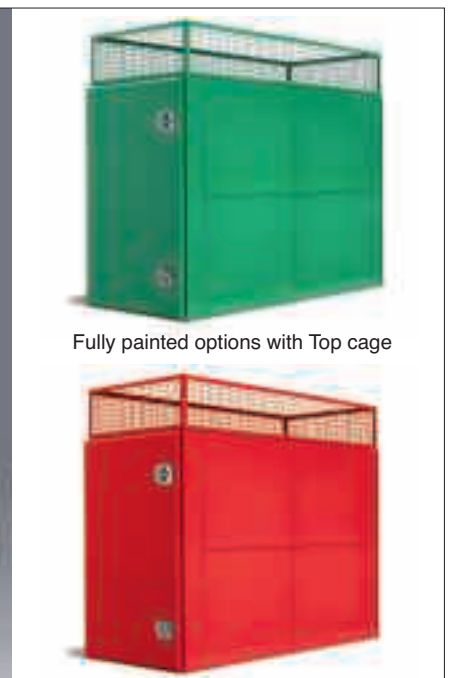
Code	Dimensions mm			Weight kg
	L	H	D	
V3420	600	500	500	24
V3425	800	500	500	29.6
V3430	1000	500	500	35
V3435	1200	500	500	41



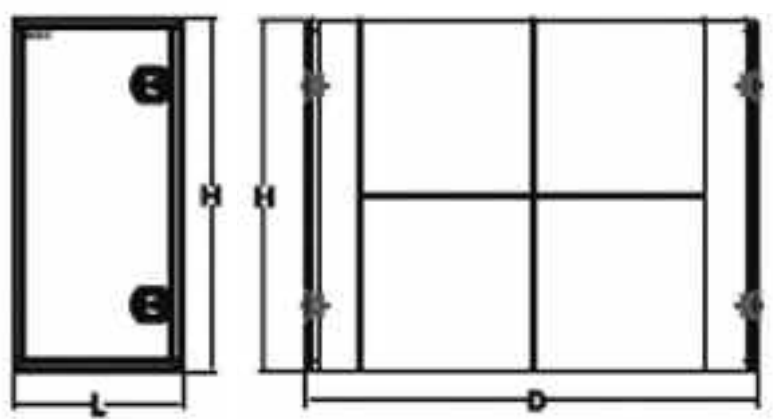


# BAWER V60 & V61 SERIES RETROCAB STORAGE BOXES

Manufactured using Laser and/or TIG welding qualified process. Electrically Galvanised Steel Unpainted Series 60 with door and 2 handles, Series 61 with Shutter door. OPTIONS: Can be fully customised for sizes and options; Aerator - Internal Mat - Internal Partitions/Shelves.



BAWER 60 without shutter	BAWER 61 with shutter	Dimensions mm		
		L	H	D
<b>UNPAINTED ALUMINIUM</b>				
V6015	V6115	600	900	1900
V6020	V6120	600	1200	1900
V6025	V6125	600	1450	1900
V6026	V6126	800	900	1900
V6027	V6127	800	1200	1900
V6028	V6128	800	1450	1900
V6030	V6130	600	900	2000
V6031	V6131	600	1200	2000
V6032	V6132	600	1450	2000
V6033	V6133	800	900	2000
V6035	V6135	800	1200	2000
V6040	V6140	800	1450	2000



# BAWER V70 & V71 SERIES RETROCAB STORAGE BOXES

Manufactured using Laser and/or TIG welding qualified process. Aluminium Body with Unpainted Lid  
 Series 70 with door and 2 handles, Series 71 with Shutter door. OPTIONS: Can be fully customised for sizes and options; Aerator - Internal Mat - Internal Partitions/Shelves.



71 Series

70 Series

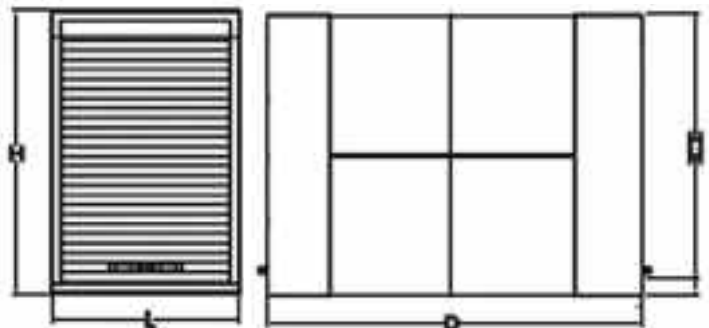
\*Shown with optional white paint



Series 70 Painted option




BAWER 70 without shutter	BAWER 71 with shutter	Dimensions mm		
UNPAINTED ALUMINIUM		L	H	D
V7015	V7115	600	900	1900
V7020	V7120	600	1200	1900
V7025	V7125	600	1450	1900
V7026	V7126	800	900	1900
V7027	V7127	800	1200	1900
V7028	V7128	800	1450	1900
V7030	V7130	600	900	2000
V7031	V7131	600	1200	2000
V7032	V7132	600	1450	2000
V7033	V7133	800	900	2000
V7035	V7135	800	1200	2000
V7040	V7140	800	1450	2000



# BAWER V69 SERIES GALVANIZED PALLET BOX

The Series V69 PALLET BOX is made in galvanized steel, with a central body and white prepainted lids. Can be black prepainted to order - Opens downwards and the loading platform is free from obstacles to make the loading and unloading operation of the pallets easier.

LPD Type Approval no:  73 R-011108



Code Assembled	Self Assembly	Dimensions mm External			Dimensions mm Internal			kg	Pallet Capacity
		L	H	D	L	H	D		
V6910	V6910S	1350	510	2425	1220	400	2415	175	8 EP
V6950	V6950S	1970	700	2425	1850	590	2415	245	24 EP-S
V6951	V6951S	2750	510	2425	2630	400	2415	275	24 EP
V6960	V6960S	2750	655	2425	2630	545	2415	300	30 EP
V6970	V6970S	3550	510	2425	3430	400	2415	395	32 EP-L
V6980	V6980S	2750	700	2425	2630	590	2415	310	36 EP
V6981	V6981S	3340	655	2425	3220	545	2415	405	36 EP-L

# BAWER V69 SERIES GALVANIZED PALLET BOX

The Series V69 PALLET BOX can be supplied assembled or for self assembly.



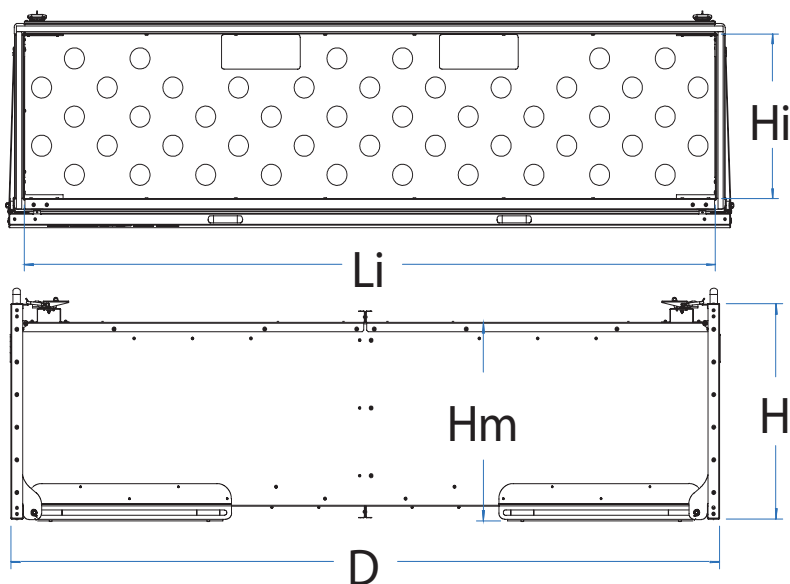
Top closure



Reinforced lid



Chassis fixing kit



## Self Assembly Version

The packaging for the delivery of the Self Assembly PALLET BOX with the single parts in wooden cases for protection during transit.





# BAWER COMBO PALLET BOX

BAWER COMBO BOX is produced in powder coated electrogalvanized steel. To optimize the inner space, it acts as euro pallet-holder from one side and equipped compartments on the other : Options can include toolbox, hand wash tank, fire extinguisher box and tyre replacement kit. Powder coating guarantees high resistance to corrosion.



Capacity	Dimensions mm			Pallet Box Compartment	Tyre Size Dimensions
	L	H	D		
18	2750	710	2425	2630 x 600 x 1210	385/55 R22.5
15	2750	670	2425	2630 x 565 x 1210	385/55 R22.5
12	2750	520	2425	2630 x 415 x 1210	315/65 R22.5



# BAWER COMBO PALLET BOX

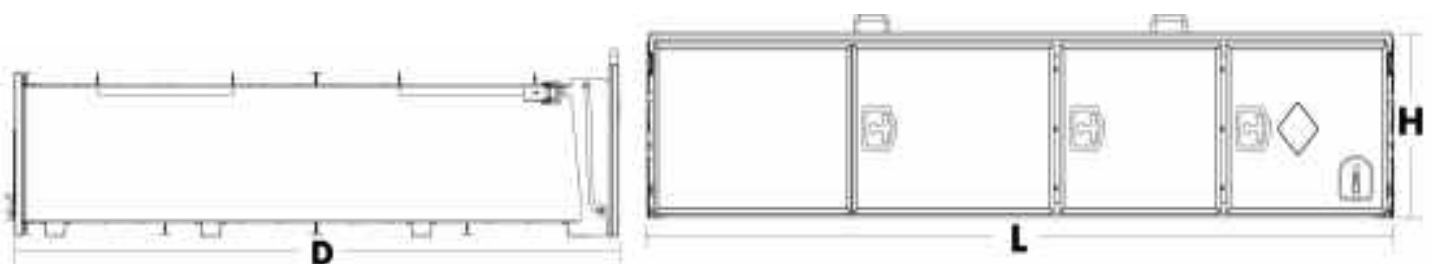
BAWER COMBO BOX can be fully customised according to requirements. The compartment side can be arranged or re-organised to suit customer needs.



**A** The approval no of the pallet side is: (E11) 73 R-011108

**B** The approval no of the side guard is: (E11) 73 R-011153

**C** The approval no of the modular side lids is: (E11) 73 R-011107



## BAWER V25 SERIES BLACK PALLET TRUCK BOX

Black - Europlex Lock system - Available with Pull-out ramp



Code	Dimensions mm			Weight kg
	L	H	D	
V2570	820	650	1600	64.4
V2571*	820	650	1600	75.0
V2572	670	650	1600	53.0
V2573*	670	650	1600	60.0



## BAWER V35 SERIES STAINLESS STEEL PALLET TRUCK BOX

Stainless Steel - Euroinox Lock system - Available with Pull-out ramp

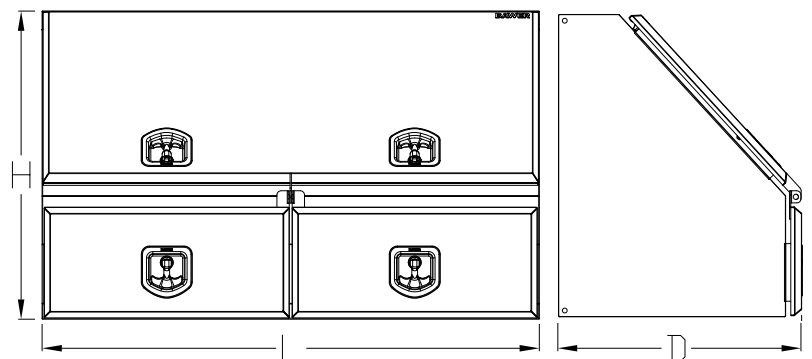


Code	Dimensions mm			Weight kg
	L	H	D	
V3570	820	650	1600	64.4
V3571*	820	650	1600	75.0
V3572	670	650	1600	53.0
V3573*	670	650	1600	60.0



# BAWER V2590 SHAPED GALVANISED STEEL TOOLBOX

White Painted Steel - Euroinox Lock system - Water Resistant - Internal partitions - Gas springs  
 2 Pullout drawers - Brackets for Padlock - Seals - Internal mat - Aerator

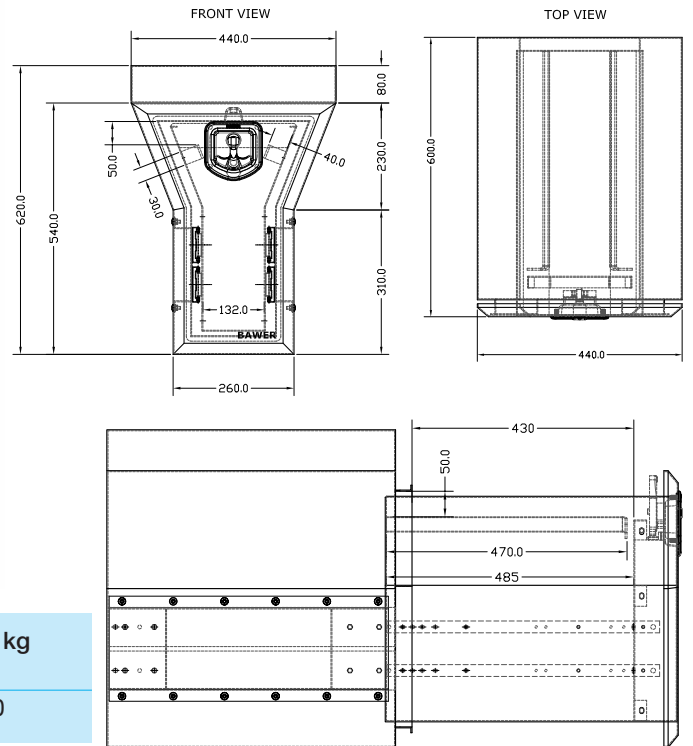


Code	Dimensions mm			Weight kg
	L	H	D	
V2590	1210	750	600	39
V2595	1500	750	600	54



# BAWER AXLE BOX

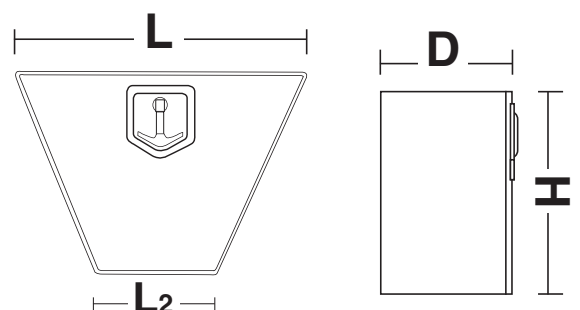
Matt Stainless Steel - Pull out Draw - Euroinox Lock system - Triangular Shaped for Axle Fitting Fixing Kit - Bespoke dimensions and Logo



Code	Dimensions mm			Weight kg
	L	H	D	
TD351526	440	620	600	50.0

# BAWER V2503 & V3703 POD BOXES

Black Powder Coated or Stainless - Euroinox Lock system - Triangular Shape for Axle - Fixing Kit Bespoke dimensions and Logo



Code		Dimensions mm				Weight kg
		L	L2	H	D	
V2503	BLACK	700	200	420	620	12.2
V3703	STAINLESS	700	200	420	620	12.2

# BAWER MULTI BOX

The MULTIBOX is a usefull “all in one” product that combines together a toolbox, a fire extinguisher box and an hand wash tank. The MULTIBOX allows an evident space saving and a considerable time and assembly cost saving. The different elements combining together and the several internal accessories such as fixed and sliding shelves, courtesy light system and personalisation to satisfy every equipment requirement.

The MULTIBOX is available in all BAWER standard materials and finishing.  
The lock can be Euroinox in polished stainless steel or Europlex in plastic.

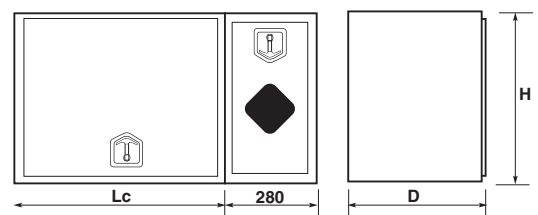


\* Shown with optional drawer



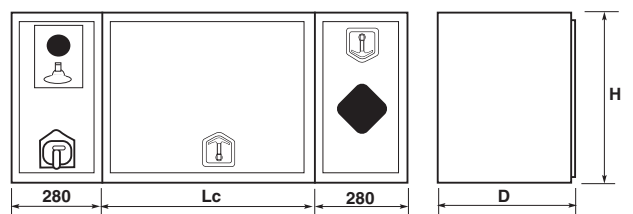
Code	Black MULTIBOX Dimensions mm			Weight kg
	L	H	D	
V4815	1000*	530	500	47.0
V4820	1200*	530	500	61.5
V4825	1300*	600	500	62.5

\* Overall length can be changed from 1100 to 1600 mm in base of toolbox.  
Dimensions (Lc) from 500 to 1000 mm.



Code	Polished Stainless Steel MULTIBOX Dimensions mm			Weight kg
	L	H	D	
V4830	1000*	530	500	47.5
V4835	1200*	530	500	62.0
V4837	1300*	600	500	63.0

\* Overall length can be changed from 1100 to 1600 mm in base of toolbox.  
Dimensions (Lc) from 500 to 1000 mm.



## TOOLBOX OPTIONS

BAWER toolboxes can be fitted with any of the numerous optional accessories available. Increases in internal space is possible by inserting removable drawers, dividing walls and shelves. From our range of accessories you can make toolbox opening and closing much easier, with additional gas springs and an aerator will allow the controlled air circulation inside the toolbox, in order to avoid condensation damage.

Toolbox showing Optional removable drawer



Toolbox showing Optional dividing walls, shelves and with lateral opening



Box showing options for colour, recessed lid, side hinges and external hinges.

## PERSONALISED TOOLBOXES

Many customers are now opting for a customised Toolbox, there are various options available  
Bespoke sizes and shapes



Send your design by email  
to:  
[sales@italtruck.co.uk](mailto:sales@italtruck.co.uk) for an  
exclusive quotation





# BAWER TOOLBOX LOCKS

The Euroinox and Europlex Locks for Toolboxes



**Euroinox Stainless Steel Adjustable Lock**

Code	Dimension mm H adjustable up to 45mm	Weight kg
V9927	21/45	0.62



**Europlex Nylon Lock**

Code	Dimension mm H	Weight kg
V9941	39	0.26

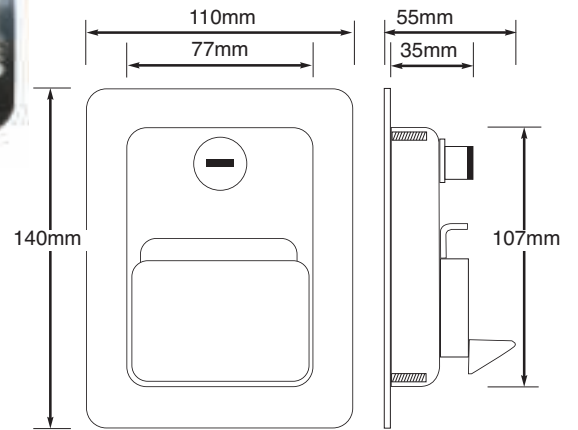


**Euroinox Stainless Steel**

Code	Dimension mm H	Weight kg
V9964	39	0.56

# BAWER STAINLESS STEEL PADDLE LOCK

The Paddle Lock for Series V28 and V38 Toolboxes



Stainless Steel Paddle Lock		
Code	Dimension mm	Weight kg
V9963	35mm	0.52

# BAWER GAS SPRING KITS

A range of Gas spring Kits for all Toolboxes



Code	Hinged Side	N (Newton)	Weight kg
V9900	Bottom	Oil	0.26
V9900A	Top	50	0.30
V9900B	Top	100	0.30
V9900C	Top	200	0.34
V9900D	Top	300	0.34
V9900E	Top	400	0.34
V9900F	Top	500	0.34



## TOOLBOX BRACKETS

A range of Toolbox Brackets for all Toolboxes



Code	thickness mm	Dimension mm	Weight kg
<b>Black Powder Coated - Galvanized Steel</b>			
V9515	3	420 x 160	3.50
V9520	4	520 x 205	6.50
V9520X	4	600 x 205	7.80
<b>Stainless Steel</b>			
V9525	2.5	420 x 160	2.80
V9530	2.5	520 x 205	2.80
V9530X	4	600 x 205	5.70

## HINGE SETS

Hinge Sets for all Toolboxes



<b>Plastic Hinge Kit</b>		
Code	Description	Weight kg
V9971	with Stainless Steel Pin	0.94
V9972	with Plastic Pin	0.58

<b>Aluminium Hinge Kit</b>		
Code	Description	Weight kg
V9983	with Stainless Steel Pin	0.125

## AERATOR

Aerator for all Toolboxes to allow a controlled ventilation inside the toolbox and avoid condensation



Code	Dimension mm	Weight kg
V9997	100	0.050

## RUBBER TOOLBOX GASKET

Rubber Gasket for all Toolboxes. Can easily be fitted to rounded shapes, in order to follow the contour of the toolbox.

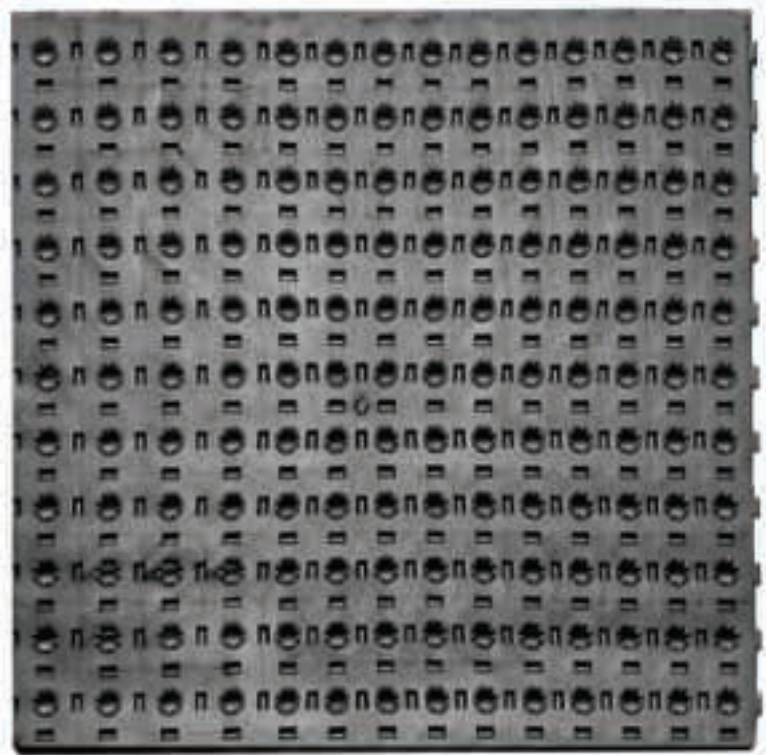


Code	UM
V9974	m



# PLASTIC MODULAR MATS

Plastic Modular Mats for all Toolboxes in order to increase their efficiency and comfort.



Code	L Dimension mm	H
V9815	500	400
V9820	600	500
V9825	800	800
V9830	1000	500
V9835	1200	500
V9840	1450	500

# PULL OUT DRAWER KIT

Pull out drawer kits, available to assemble or ready mounted inside the toolbox of your choice. Stainless Steel finish or black.

V96 Series



V97 Series



Toolbox with V97 fitted

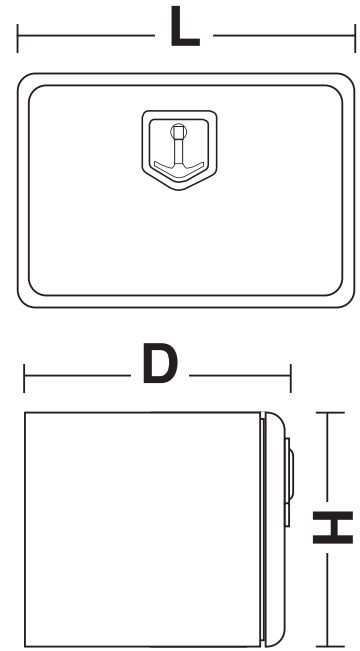
Code	Finish
V96 Series	Black finish
V97 Series	Stainless Steel

The background of the advertisement is a close-up, high-resolution image of an aluminium surface with a diamond plate or tread pattern. The pattern consists of repeating diamond-shaped indentations, creating a textured, metallic appearance. The lighting is soft, highlighting the ridges and shadows of the pattern. In the top right corner, there is a solid blue rectangular box containing the text 'ALUMINIUM TOOLBOXES' in white, uppercase, sans-serif font.

# ALUMINIUM TOOLBOXES

## ALUMINIUM TOOLBOX with EUROPLEX LOCK

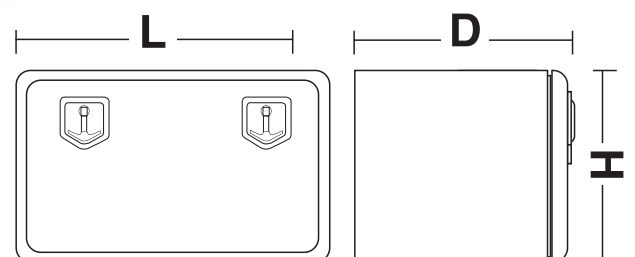
Aluminium Body & Lid 2mm - Laser and or TIG welding - Europlex Lock system - Water Resistant  
 Optional: Lid orientation - Internal partitions - Gas springs - Pullout drawer - Internal mat - Aerator  
 Bespoke dimensions and Logo



Code	Dimensions mm			Weight kg
	L	H	D	
V5015-ALU	500	350	400	6.8
V5020-ALU	600	400	500	9.5

## ALUMINIUM TOOLBOX with EUROPLEX LOCKS

Aluminium Body & Lid 2mm - Laser and or TIG welding - Europlex Lock system - Water Resistant  
 Optional: Lid orientation - Internal partitions - Gas springs - Pullout drawer - Internal mat - Aerator  
 Bespoke dimensions and Logo

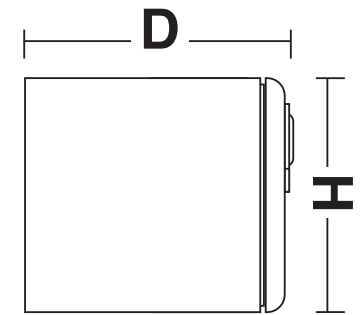
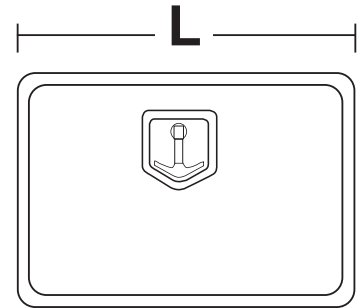


Code	Dimensions mm			Weight kg
	L	H	D	
V5025-ALU	800	500	500	13.2
V5030-ALU	1000	500	500	16.2
V5035-ALU	1200	500	500	19.2
V5040-ALU	1450	500	500	21.8



## ALUMINIUM TOOLBOX with EUROINOX LOCK

Aluminium Body & Lid 2mm - Laser and or TIG welding - Euroinox Lock system - Water Resistant  
 Optional: Lid orientation - Internal partitions - Gas springs - Pullout drawer - Internal mat - Aerator  
 Bespoke dimensions and Logo



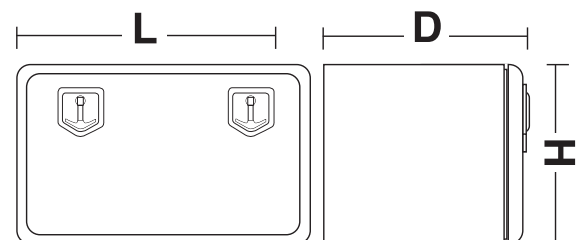
Code	Dimensions mm			Weight kg
	L	H	D	
V5515-ALU	500	350	400	7.0
V5520-ALU	600	400	500	9.8

## ALUMINIUM TOOLBOX with EUROINOX LOCKS

Aluminium Body & Lid 2mm - Laser and or TIG welding - Euroinox Lock system - Water Resistant  
 Optional: Lid orientation - Internal partitions - Gas springs - Pullout drawer - Internal mat - Aerator  
 Bespoke dimensions and Logo



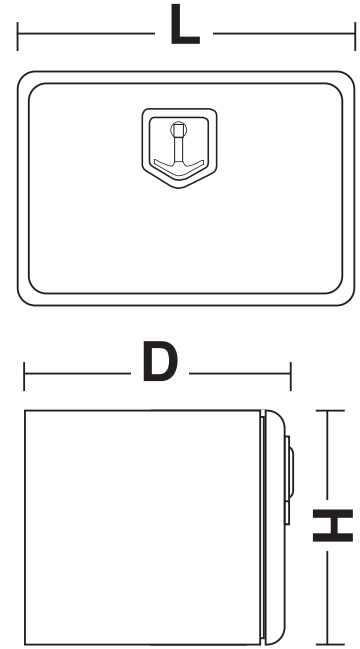
Code	Dimensions mm			Weight kg
	L	H	D	
V5525-ALU	800	500	500	13.2
V5530-ALU	1000	500	500	16.2
V5535-ALU	1200	500	500	19.7
V5540-ALU	1450	500	500	22.4





## ALUMINIUM TOOLBOX with EUROINOX LOCK

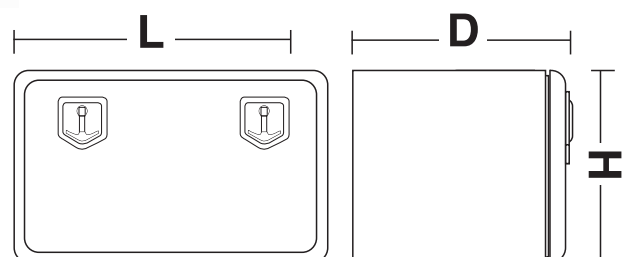
Aluminium Body 2mm & Polished Stainless Steel Lid 1.5mm - Laser and or TIG welding - Euroinox Lock system - Water Resistant Optional: Lid orientation - Internal partitions - Gas springs - Pullout drawer - Internal mat - Aerator Bespoke dimensions and Logo



Code	Dimensions mm			Weight kg
	L	H	D	
V5615-ALU	500	350	400	6.8
V5620-ALU	600	400	500	9.5

## ALUMINIUM TOOLBOX with EUROINOX LOCKS

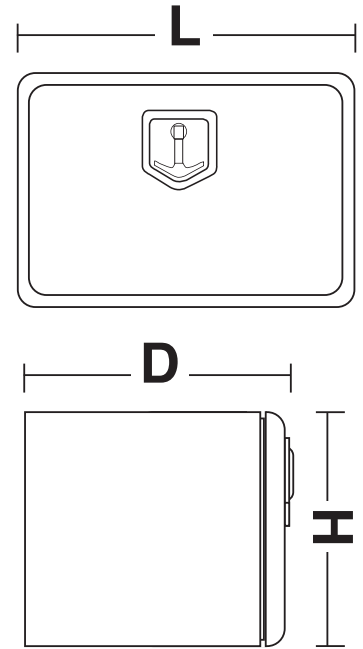
Aluminium Body 2mm & Polished Stainless Steel Lid 1.5mm - Laser and or TIG welding - Euroinox Lock system - Water Resistant Optional: Lid orientation - Internal partitions - Gas springs - Pullout drawer - Internal mat - Aerator Bespoke dimensions and Logo



Code	Dimensions mm			Weight kg
	L	H	D	
V5625-ALU	800	500	500	13.2
V5630-ALU	1000	500	500	16.2
V5635-ALU	1200	500	500	19.2
V5640-ALU	1450	500	500	21.8

## ALUMINIUM TOOLBOX with EUROINOX LOCK

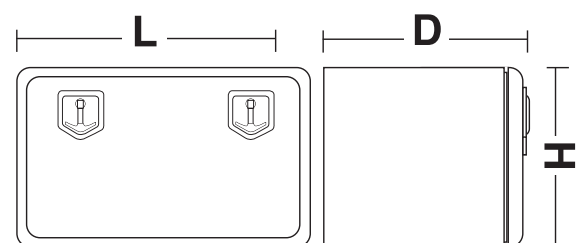
Chequer Plate Finish Aluminium Body & Lid 2mm - Laser and or TIG welding - Euroinox Lock system - Water Resistant Optional: Lid orientation - Internal partitions - Gas springs - Pullout drawer - Internal mat - Aerator Bespoke dimensions and Logo



Code	Dimensions mm			Weight kg
	L	H	D	
V5815-ALU	500	350	400	7.0
V5820-ALU	600	400	500	9.8

## ALUMINIUM TOOLBOX with EUROINOX LOCKS

Chequer Plate Finish Aluminium Body & Lid 2mm - Laser and or TIG welding - Euroinox Lock system - Water Resistant Optional: Lid orientation - Internal partitions - Gas springs - Pullout drawer - Internal mat - Aerator Bespoke dimensions and Logo



Code	Dimensions mm			Weight kg
	L	H	D	
V5825-ALU	800	500	500	13.2
V5830-ALU	1000	500	500	16.2
V5835-ALU	1200	500	500	19.7
V5840-ALU	1450	500	500	22.4

# BAWER TOOLBOX LOCKS

The Euroinox and Europlex Locks for Toolboxes



**Euroinox Stainless Steel Adjustable Lock**

Code	Dimension mm H adjustable up to 45mm	Weight kg
V9927	21/45	0.62



**Europlex Nylon Lock**

Code	Dimension mm H	Weight kg
V9941	39	0.26



**Euroinox Stainless Steel**

Code	Dimension mm H	Weight kg
V9964	39	0.56

# PLASTIC TOOLBOXES



E11 73R-011168



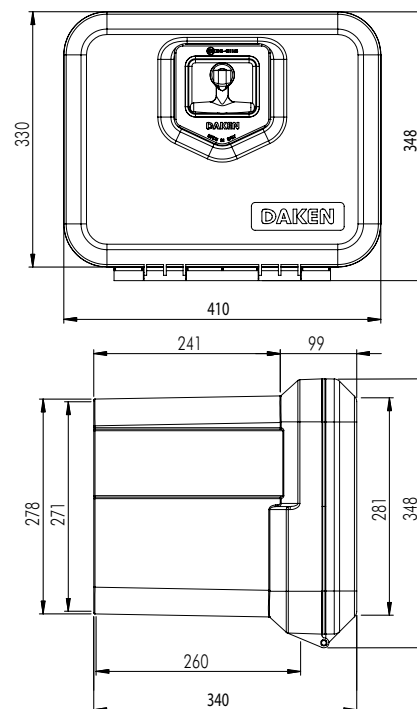


## WELVET PLASTIC TOOLBOX 28 Lt CAPACITY

Velvet - Injection Moulded Polypropylene resin - Europlex Lock system - High impact resistance to stress or breakage - Resistant to Weather, UV rays & Water - 28 litre capacity.



Velvet toolboxes are approved as lateral protection devices (LPD).  
The approval number for the toolboxes is: E11 73R-11168



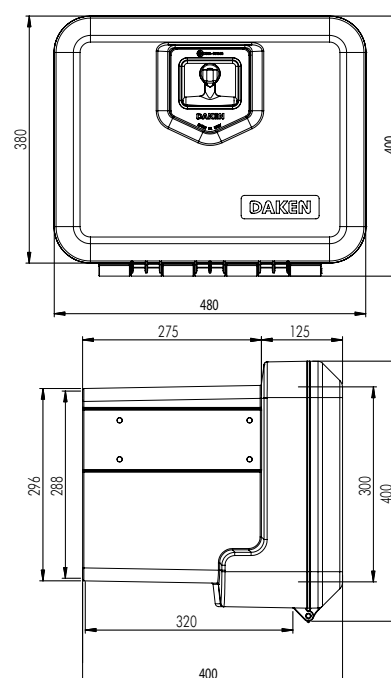
Code	Dimensions mm			Weight kg
	L	H	D	
81000	410	348	340	3.0
81000S	410	348	340 (with down struts)	3.0

## WELVET PLASTIC TOOLBOX 39 Lt CAPACITY

Velvet - Injection Moulded Polypropylene resin - Europlex Lock system - High impact resistance to stress or breakage - Resistant to Weather, UV rays & Water - 39 litre capacity.



Velvet toolboxes are approved as lateral protection devices (LPD).  
The approval number for the toolboxes is: E11 73R-11168

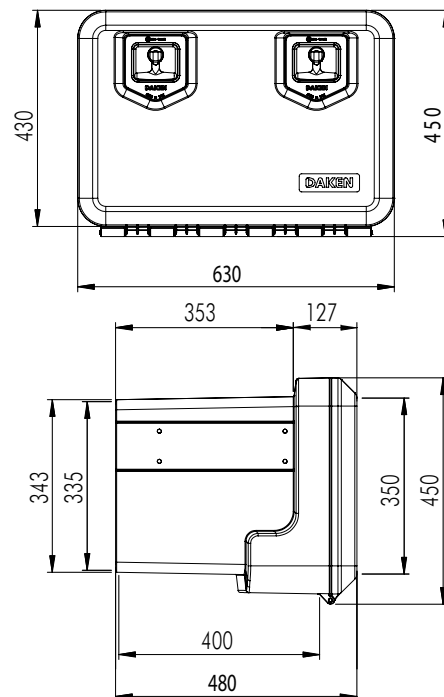


Code	Dimensions mm			Weight kg
	L	H	D	
81002	480	400	400	5.0
81002S	480	400	400 (with down struts)	5.0

## WELVET TOOLBOX 78 Lt CAPACITY

Velvet - Injection Moulded Polypropylene resin - Europlex Lock system - High impact resistance to stress or breakage - Resistant to Weather, UV rays & Water - 78 litre capacity.

Velvet toolboxes are approved as lateral protection devices (LPD).  
The approval number for the toolboxes is: (E11) 73R-11168

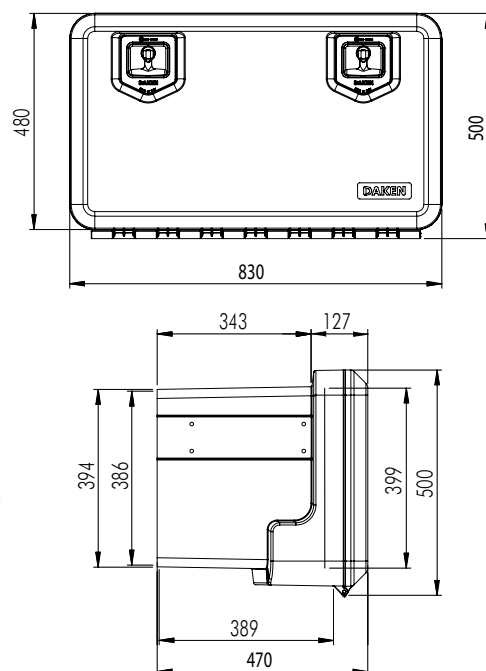


Code	Dimensions mm			Weight kg
	L	H	D	
81004	630	450	480	8.0
81004S	630 x 450 x 480 (with down struts)			8.0

## WELVET TOOLBOX 120 Lt CAPACITY

Velvet - Injection Moulded Polypropylene resin - Europlex Lock system - High impact resistance to stress or breakage - Resistant to Weather, UV rays & Water - 120 litre capacity.


Velvet toolboxes are approved as lateral protection devices (LPD).  
The approval number for the toolboxes is: (E11) 73R-11168

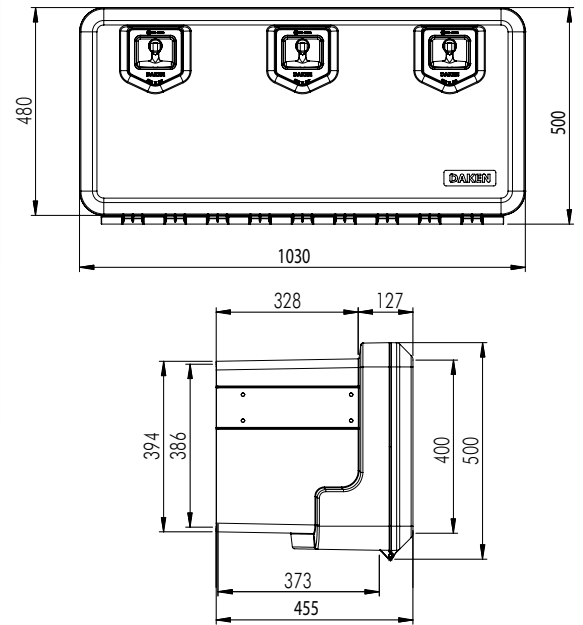


Code	Dimensions mm			Weight kg
	L	H	D	
81006	830	500	470	10.5
81006S	830 x 500 x 470 (with down struts)			10.5

# WELVET TOOLBOX 155 Lt CAPACITY

Velvet - Injection Moulded Polypropylene resin - Europlex Lock system - High impact resistance to stress or breakage - Resistant to Weather, UV rays & Water - 155 litre capacity.

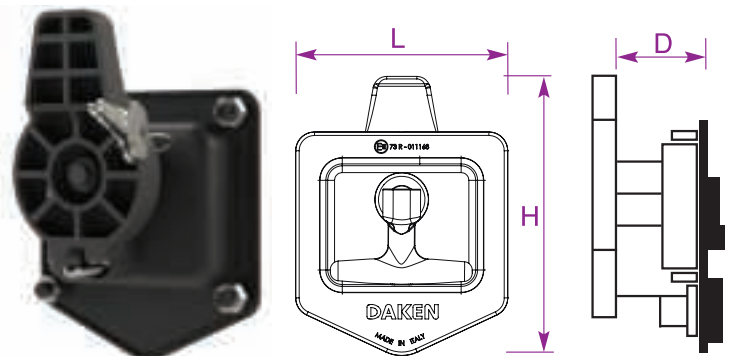
Velvet toolboxes are approved as lateral protection devices (LPD).  
The approval number for the toolboxes is:  73R-11168



Code	Dimensions mm			Weight kg
	L	H	D	
81008	1030	500	455	13.0
81008S	1030	500	455 (with down struts)	13.0

# EUROPLEX LOCK

Europlex Locks for Toolboxes



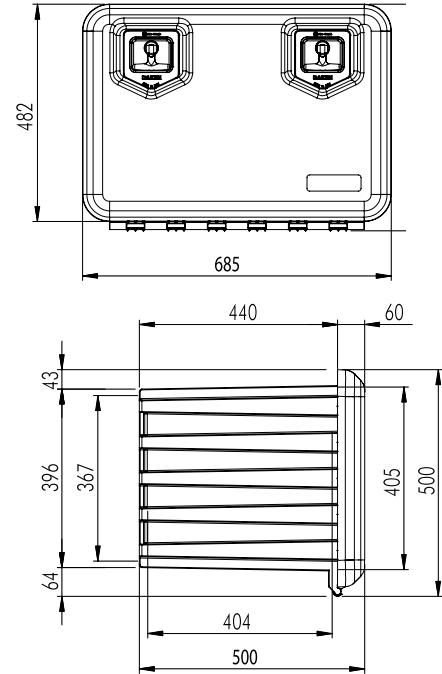
Code	Dimensions mm			Weight kg
	L	H	D	
<b>Fits Toolboxes 81000</b>				
89000	125	120	39.0	0.26
<b>Fits Toolboxes 81002, 81004, 81006 &amp; 81008</b>				
89010	125	120	45.0	0.28

## ARKA TOOLBOX 109 Lt CAPACITY

Arka - Injection Moulded Polypropylene resin - Europlex Lock system - High impact resistance to stress or breakage - Resistant to Weather, UV rays & Water - 109 litre capacity.



Arka toolboxes are approved as lateral protection devices (LPD).  
The approval number for the toolboxes is: E11 73R-11168



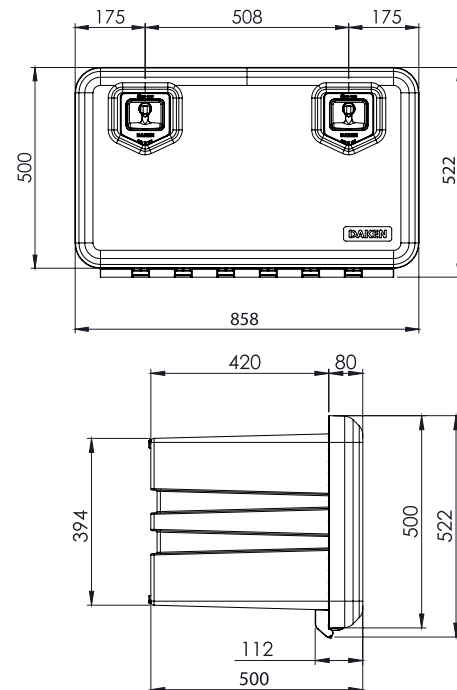
Code	Dimensions mm			Weight kg
	L	H	D	
81205	685	500	500	6.5
81205S	685 x 500 x 500 (with down struts)			6.5

## ARKA TOOLBOX 134 Lt CAPACITY

Welvet - Injection Moulded Polypropylene resin - Europlex Lock system - High impact resistance to stress or breakage - Resistant to Weather, UV rays & Water - 134 litre capacity.



Arka toolboxes are approved as lateral protection devices (LPD).  
The approval number for the toolboxes is: E11 73R-11168



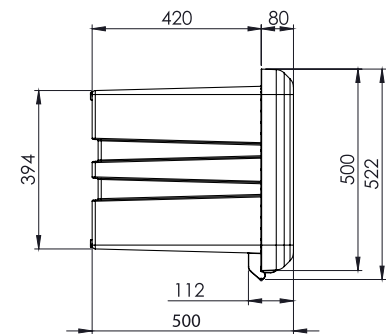
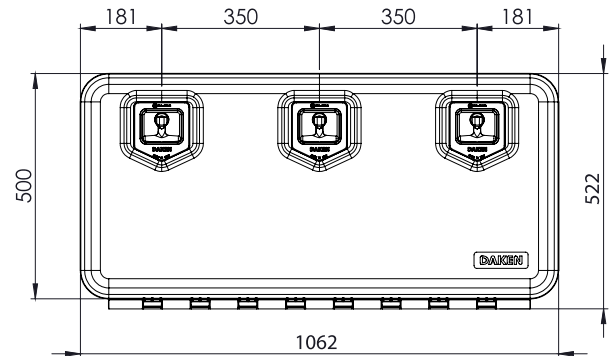
Code	Dimensions mm			Weight kg
	L	H	D	
81206	858	522	500	10.7
81206S	858 x 522 x 500 (with down struts)			10.7



## ARKA TOOLBOX 169 Lt CAPACITY

Arka - Injection Moulded Polypropylene resin - Europlex Lock system - High impact resistance to stress or breakage - Resistant to Weather, UV rays & Water - 169 litre capacity.

Arka toolboxes are approved as lateral protection devices (LPD).  
The approval number for the toolboxes is: (E11) 73R-11168

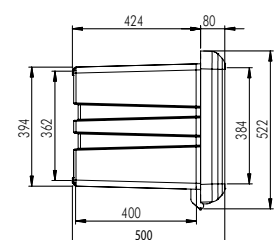
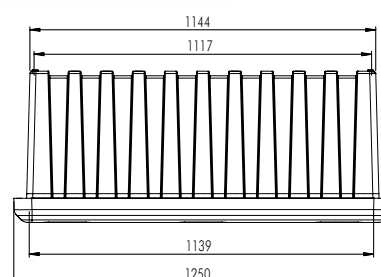
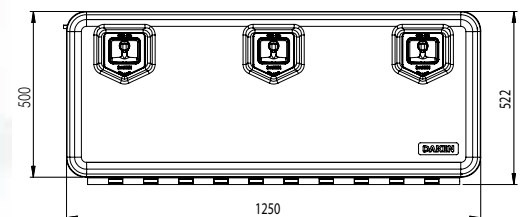


Code	Dimensions mm			Weight kg
	L	H	D	
81208	1062	522	500	13.2
81208S	1062 x 522 x 500 (with down struts)			13.2

## ARKA TOOLBOX 203 Lt CAPACITY

Arka - Injection Moulded Polypropylene resin - Europlex Lock system - High impact resistance to stress or breakage - Resistant to Weather, UV rays & Water - 203 litre capacity.

Arka toolboxes are approved as lateral protection devices (LPD).  
The approval number for the toolboxes is: (E11) 73R-11168



Code	Dimensions mm			Weight kg
	L	H	D	
81209	1250	522	500	15.5
81209S (with down struts)	1250 x 522 x 500			15.5

# ARKA TOOLBOX SHELVING

Toolbox Shelving and Divider Kits available on Arka range only



Full length Shelf and vertical divider kit



2 Short Shelves and vertical dividers kits



Fitting clips

Code	For Arka Toolboxes Description
89560	Fitting clips
89561	Full length Shelf and vertical divider
89562	Short Shelf and vertical divider
89563	Vertical divider

# GAS SPRING SET

Toolbox Gas Spring set - Variety of fixing options



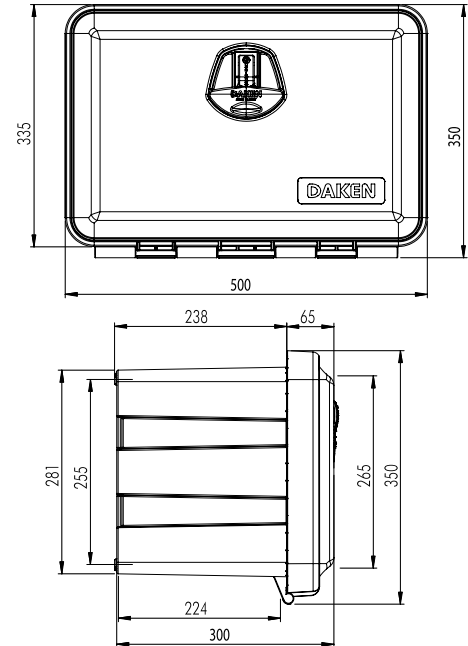
Code	Weight kg
89500	0.30

## JUST TOOLBOX 30 Lt CAPACITY

Just 30 litre Toolbox - Reinforced lid with grid structure - compression locking system with a hook cylinder lock with 2 keys - internal EPDM seal prevents dust and water ingress - internal reinforcement ribs suitable as shelf runners - Fast body lid fixing - 30 litre capacity.



Just toolboxes are approved as lateral protection devices (LPD).  
The approval number for the toolboxes is: (E11) 73R-11168



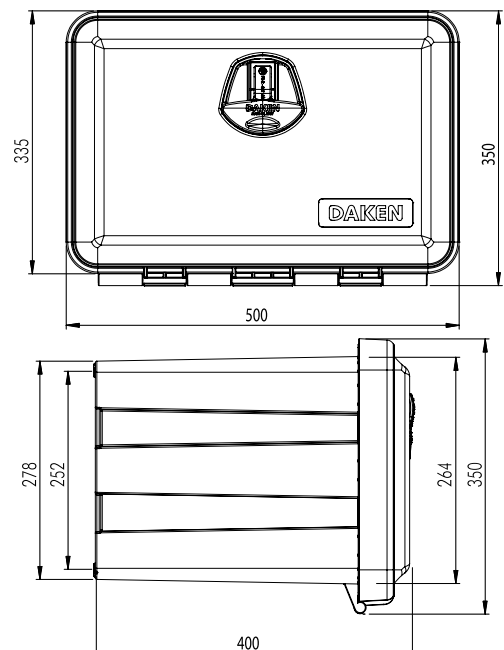
Code	Capacity	Dimensions mm			Weight kg
		L	H	D	
81100	30 Litre	500	350	300	3.0

## JUST TOOLBOX 41 Lt CAPACITY

Just 41 litre Toolbox - Reinforced lid with grid structure - compression locking system with a hook cylinder lock with 2 keys - internal EPDM seal prevents dust and water ingress - internal reinforcement ribs suitable as shelf runners - Fast body lid fixing - 41 litre capacity.



Just toolboxes are approved as lateral protection devices (LPD).  
The approval number for the toolboxes is: (E11) 73R-11168



Code	Capacity	Dimensions mm			Weight kg
		L	H	D	
81102	41 Litre	500	350	400	3.3

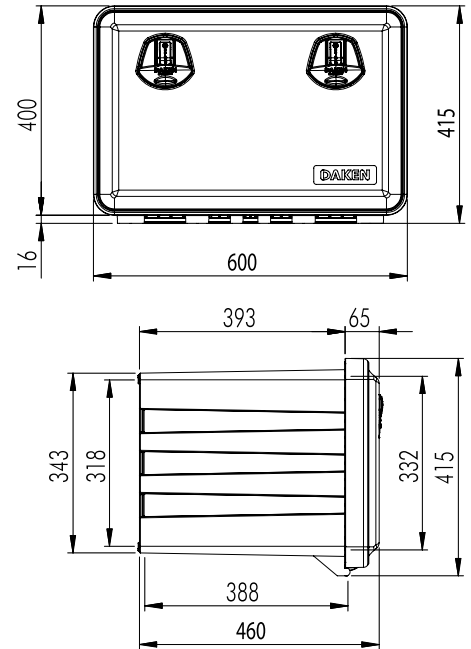


## JUST TOOLBOX 74 Lt CAPACITY

Just 71litre Toolbox - Reinforced lid with grid structure - compression locking system with a hook cylinder lock with 2 keys - internal EPDM seal prevents dust and water ingress - internal reinforcement ribs suitable as shelf runners - Fast body lid fixing - 74 litre capacity.



Just toolboxes are approved as lateral protection devices (LPD).  
The approval number for the toolboxes is: (E11) 73R-11168



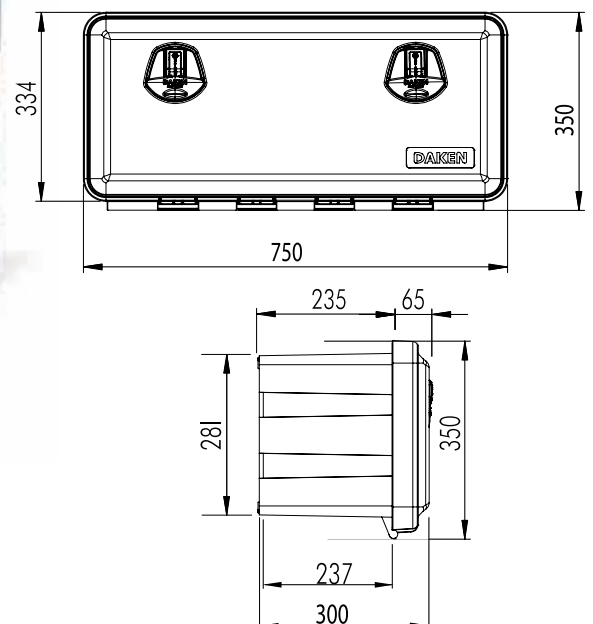
Code	Dimensions mm			Weight kg
	L	H	D	
81104	600	415	460	4.9

## JUST TOOLBOX 47 Lt CAPACITY

Just 40 litre Toolbox - Reinforced lid with grid structure - compression locking system with a hook cylinder lock with 2 keys - internal EPDM seal prevents dust and water ingress - internal reinforcement ribs suitable as shelf runners - fast body lid fixing - 47 litre capacity.



Just toolboxes are approved as lateral protection devices (LPD).  
The approval number for the toolboxes is: (E11) 73R-11168



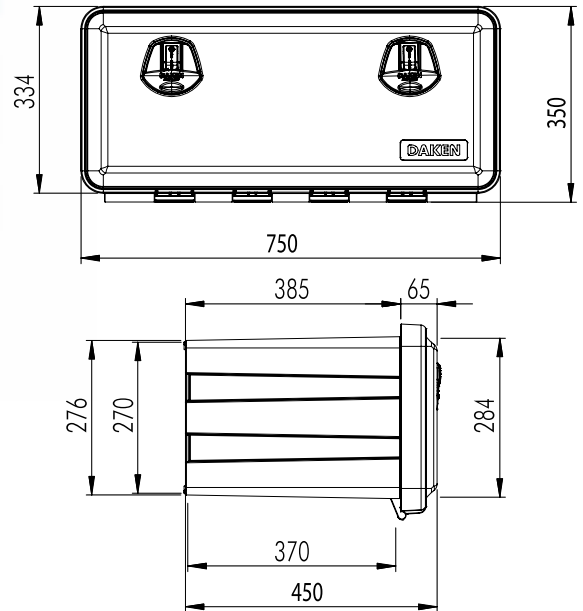
Code	Dimensions mm			Weight kg
	L	H	D	
81105	750	350	300	4.5

## JUST TOOLBOX 74 Lt CAPACITY

Just 65 litre Toolbox - Reinforced lid with grid structure - compression locking system with a hook cylinder lock with 2 keys - internal EPDM seal prevents dust and water ingress - internal reinforcement ribs suitable as shelf runners - fast body lid fixing - 74 litre capacity.



Just toolboxes are approved as lateral protection devices (LPD).  
The approval number for the toolboxes is: E11 73R-11168



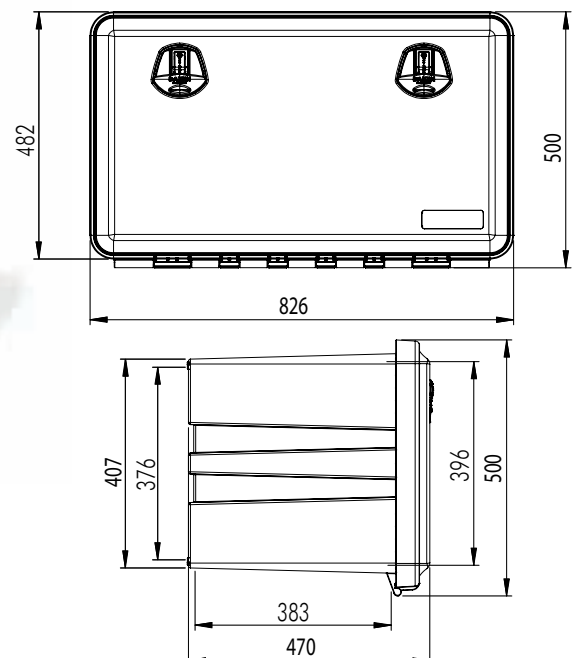
Code	Dimensions mm			Weight kg
	L	H	D	
81106	750	350	450	5.2

## JUST TOOLBOX 127 Lt CAPACITY

Just 125 litre Toolbox - Reinforced lid with grid structure - compression locking system with a hook cylinder lock with 2 keys - internal EPDM seal prevents dust and water ingress - internal reinforcement ribs suitable as shelf runners - Fast body lid fixing - 127 litre capacity.



Just toolboxes are approved as lateral protection devices (LPD).  
The approval number for the toolboxes is: E11 73R-11168



Code	Dimensions mm			Weight kg
	L	H	D	
81108	826	500	470	7.8

# BLACKIT CAR TRAILER TOOLBOXES

Blackit Toolboxes - Reinforced structure - Injection Molding Polypropylene - Ergonomic handles with cylinder lock and dust cap - internal EPDM seal prevents dust and water ingress



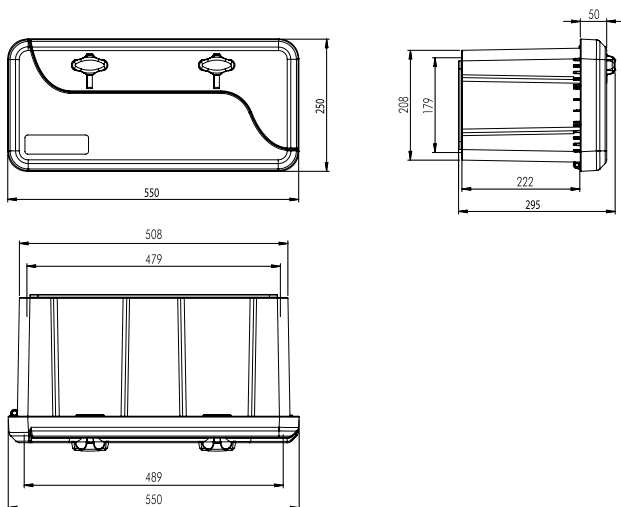
82201



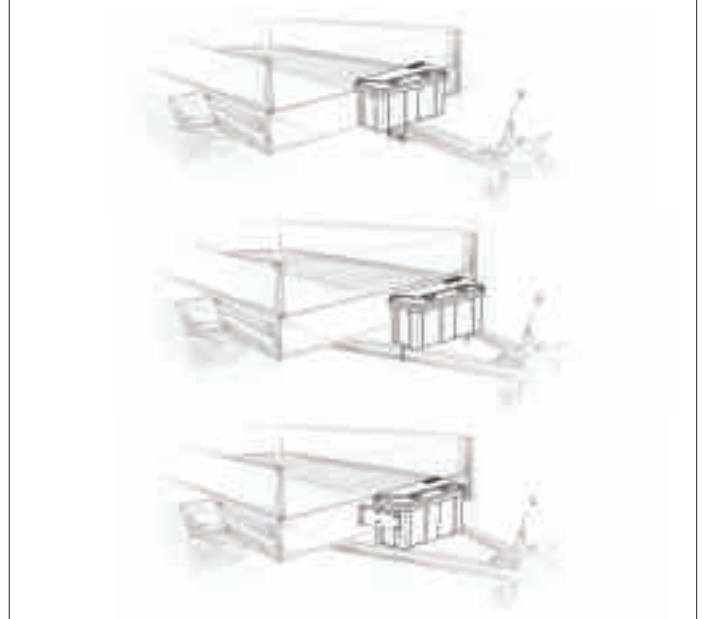
82202



82203



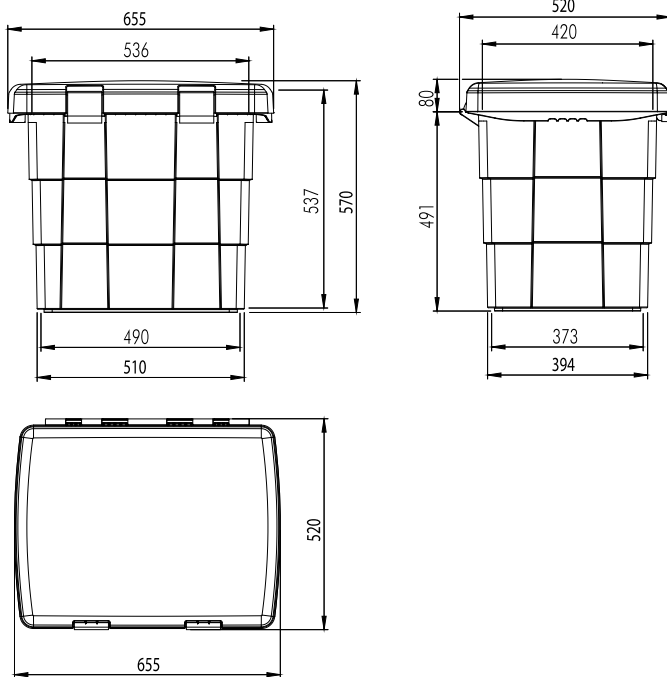
## Blackit Toolbox Fitting Applications



Code	Opening	Dimensions mm			Weight kg
		L	H	D	
82201	Side	550	250	295	2.5
82202	Top	550	250	295	2.5
82203	Side	750	300	355	3.5

# PIT SAND BOX 108 Lt CAPACITY

Pit Sand Boxes - Reinforced structure - Injection Molding Polypropylene - Double handle in Nylon internal EPDM seal prevents dust and water ingress - Cylinder lock - Available range of 4 Colours

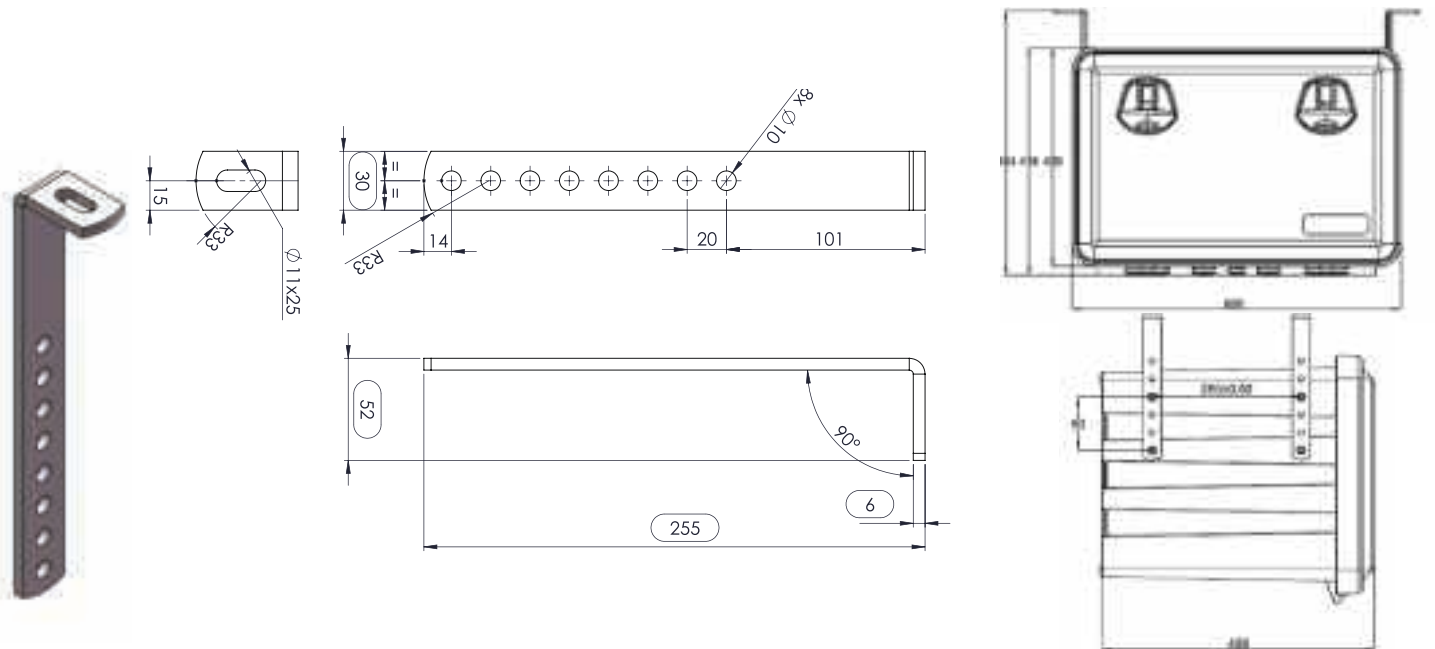


Code	Colour	Dimensions mm			Weight kg
		L	H	D	
86004	Black	655	520	570	6.3
86014	Red	655	520	570	6.3
86024	Yellow	655	520	570	6.3
86034	Green	655	520	570	6.3



# VERTICAL TOOLBOX BRACKETS

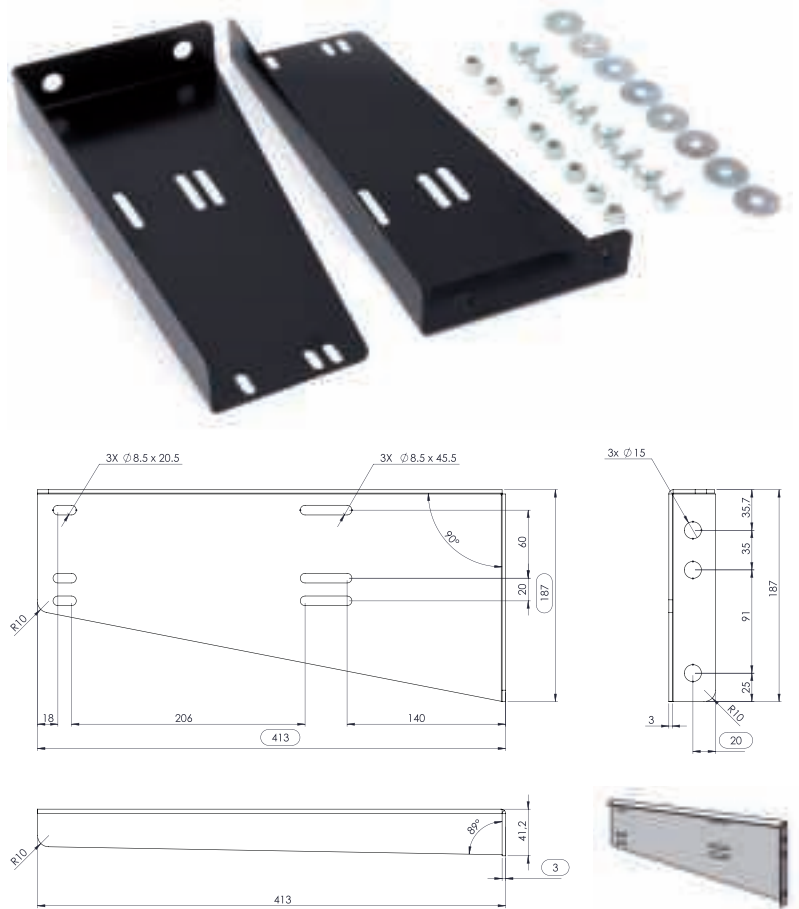
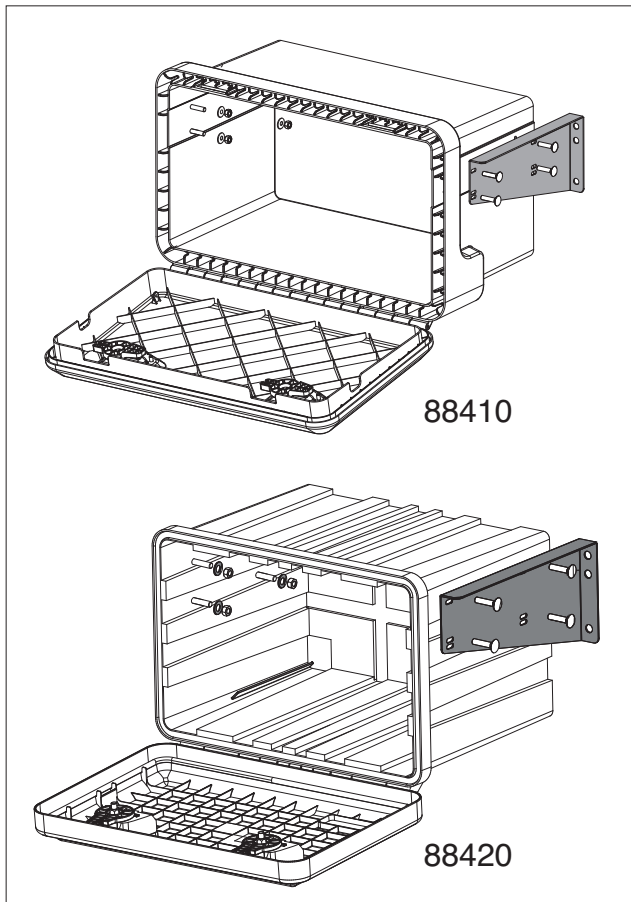
Vertical Brackets - Hot galvanized steel brackets with GEOMET coated fixing kit



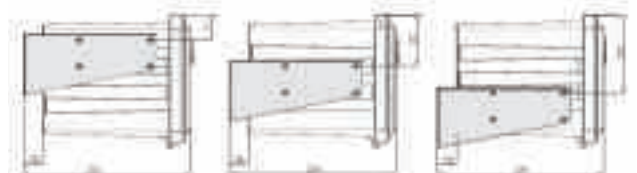
Code	Dimensions mm	Thickness	Weight kg	Max Load
88402	247 x 52	6.0mm	1.73	200kg

# HORIZONTAL TOOLBOX BRACKETS

Horizontal Epoxy-powder coated steel brackets with GEOMET coated fixing kit



Code	Dimensions mm	Thickness	Weight kg	Max Load
88410	336 x 152	2.0mm	2.1	150kg
88420	413 x 189	3.0mm	4.0	150kg



## CUSTOMISED PLASTIC TOOLBOXES

We can supply your plastic toolboxes customised into the cover of the toolbox with name of your choice. The labels are silk screened epoxy coated labels with permanent adhesive backing.



\* Only available on  $\geq 600$ mm Toolboxes



The small label fixes to the nameplate on the toolbox lid and is available on both Welvet and Just Toolboxes

# FIRE EXTINGUISHER BOXES



E11 73R-011107

E11 73R-011168



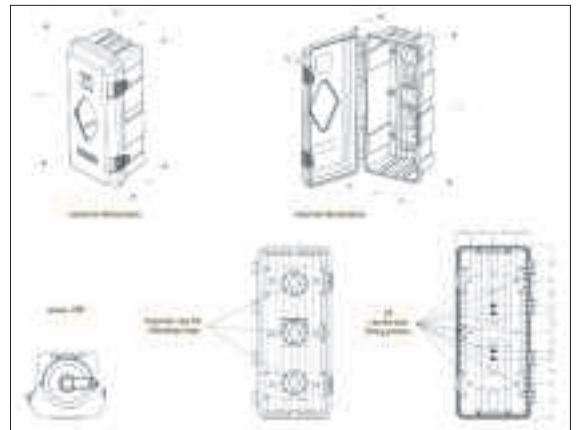


# ADAMANT 6/9 kg FIRE EXTINGUISHER BOXES

Injection Moulded Polypropylene resin - High impact resistance to stress or breakage - Resistant to Weather - UV rays - Water



All Extinguisher boxes are approved as lateral protection devices (LPD).  
The approval number for the toolboxes is: (E11) 73R-11168



Code	Body Colour	Lid Colour	Fire Extinguisher Dia size (mm)	Dimensions mm			Weight kg	Capacity kg
				L	H	D		
82030	Black	Red	170 to 190	310	671	247	4.0	6 or 9
82010	Black	Black	170 to 190	310	671	247	4.0	6 or 9

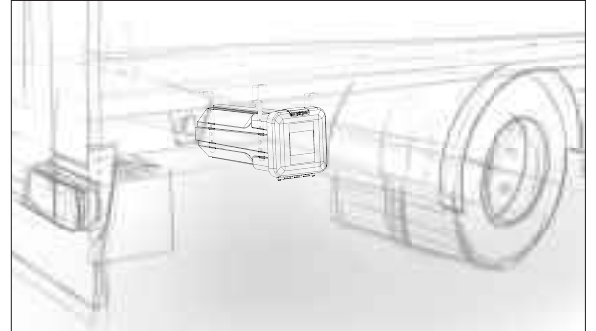
# SLIDEN 6.9/12kg FIRE EXTINGUISHER BOXES

Injection Moulded Polypropylene resin - High impact resistance to stress or breakage - Resistant to Weather - UV rays - Water

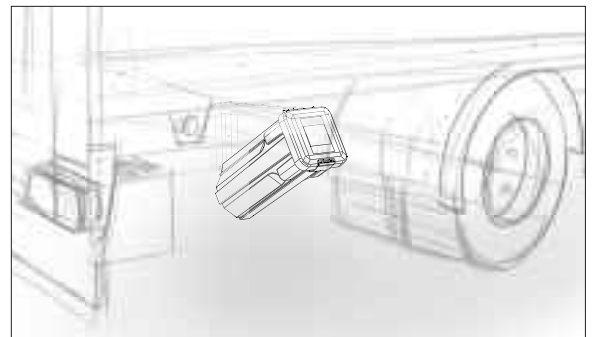
All Extinguisher boxes are approved as lateral protection devices (LPD).  
The approval number for the toolboxes is: **E11** 73R-11168



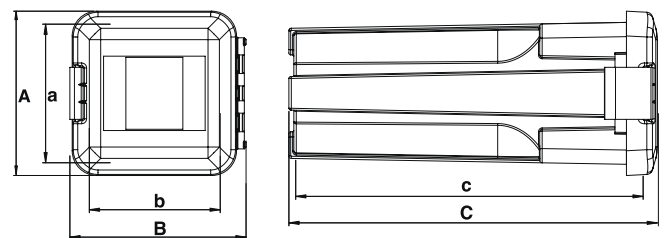
82410/82420  
with inspection window



82411/21



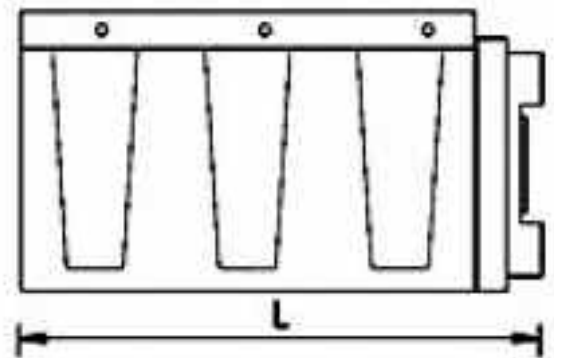
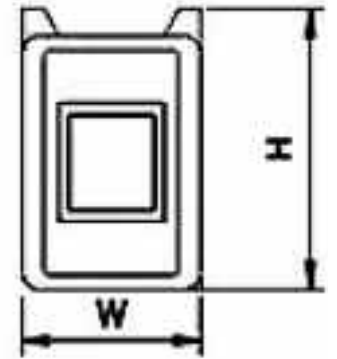
82412/82422



Code	Colour	Fire Extinguisher	Dimensions mm			Weight kg	Capacity kg
			L	H	D		
82410*	Red	140 to 160	265	284	595	2.1	6
82411	Black	140 to 160	265	284	595	2.1	6
82412	Red	140 to 160	265	284	595	2.1	6
82420*	Red	9/12kgs	309	324	750	3.2	9/12
82421	Black	9/12kgs	309	324	750	3.2	9/12
82422	Red	9/12kgs	309	324	750	3.2	9/12

## TOP LOADING FIRE EXTINGUISHER BOX

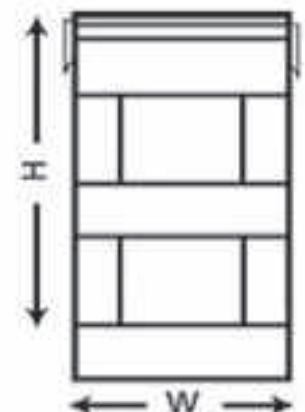
Red Top Loading Fire Extinguisher Box - High impact resistance to stress or breakage - Waterproof Seal



Code	Fire Extinguisher Dia size (mm)	Dimensions mm			Weight kg	Capacity kg
		L	H	D		
BJB24E	150 to 170	735	290	290	3.0	6 or 9

## FIRE EXTINGUISHER BOX with UNIVERSAL FIXING KIT

Red Top Loading Fire Extinguisher Box - High impact resistance to stress or breakage - Waterproof Seal and Universal Fixing Kit with JS500 Anit-Corrosion Protection



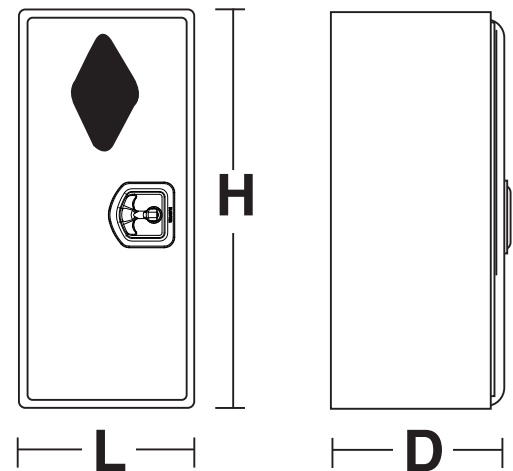
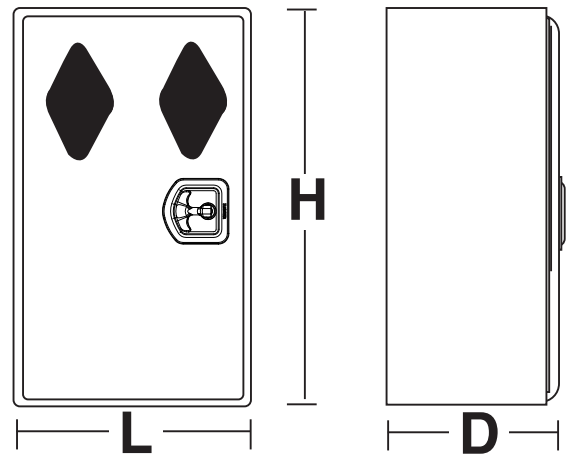
Code	Fire Extinguisher Dia size (mm)	Dimensions mm			Weight kg	Capacity kg
		L	H	D		
BJB20F	150 to 170	510	280	220	3.0	6 or 9



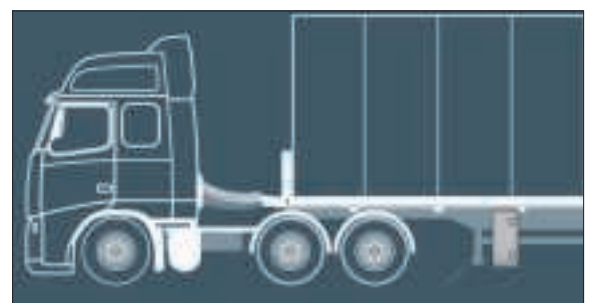
# POLISHED STAINLESS STEEL FIRE EXTINGUISHER BOX

Polished Stainless Steel Fire Extinguisher Box - Mechanical and Corrosion Resistant - Euroinox Locks - Single or Double size

These Fire Extinguisher boxes are approved as lateral protection devices (LPD).  
 These products show the approval number on the side of the boxes. The approval number for the toolboxes is:  
 E11 73R-011107



Code	Fire Extinguisher Dia size (mm)	Dimensions mm			Weight kg	Capacity kg
		L	H	D		
V6540	160 to 180	300	700	270	12.7	6 or 9
V6550	160 to 180	470	700	270	16.7	6 or 9





# BLACK POWDER COATED SUPPORT BRACKETS

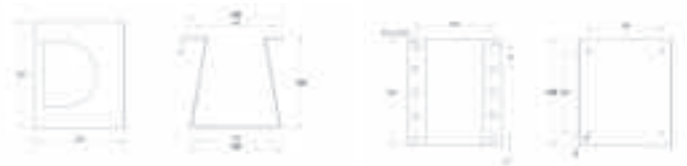
Black Powder Coated - Suitable for all our 6/9 & 12 kg Polypropylene Fire Extinguisher Boxes



All Extinguisher boxes are approved as lateral protection devices (LPD).  
The approval number for the toolboxes is: (E11) 73R-11168

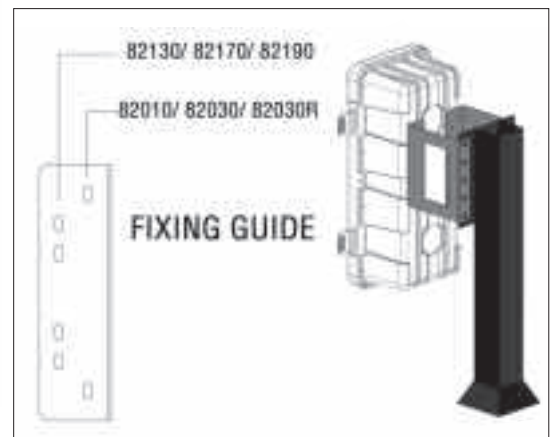
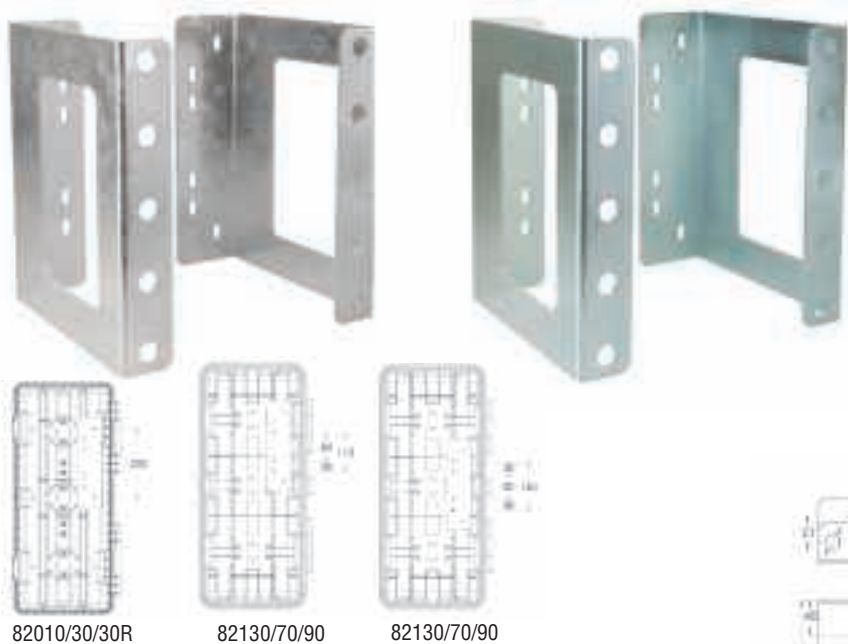


Code	Finish	Dimensions mm			Weight kg
		L	H	D	
88040	Black Powder Coated	230	x 260	x 220	3.6

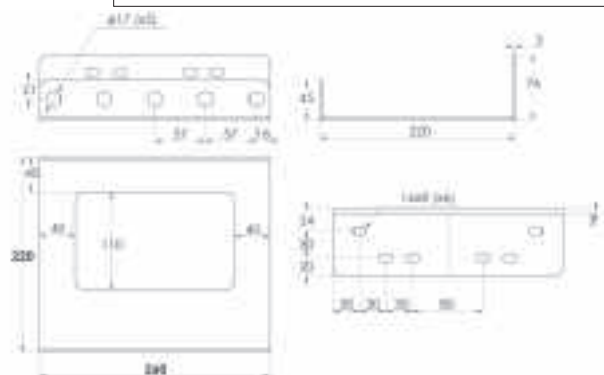


# GALVANISED & ZINC PLATED SUPPORT BRACKETS

Galvanised or Zinc Plated Brackets - Suitable for all our 6/9 & 12 kg Polypropylene Fire Extinguisher Boxes

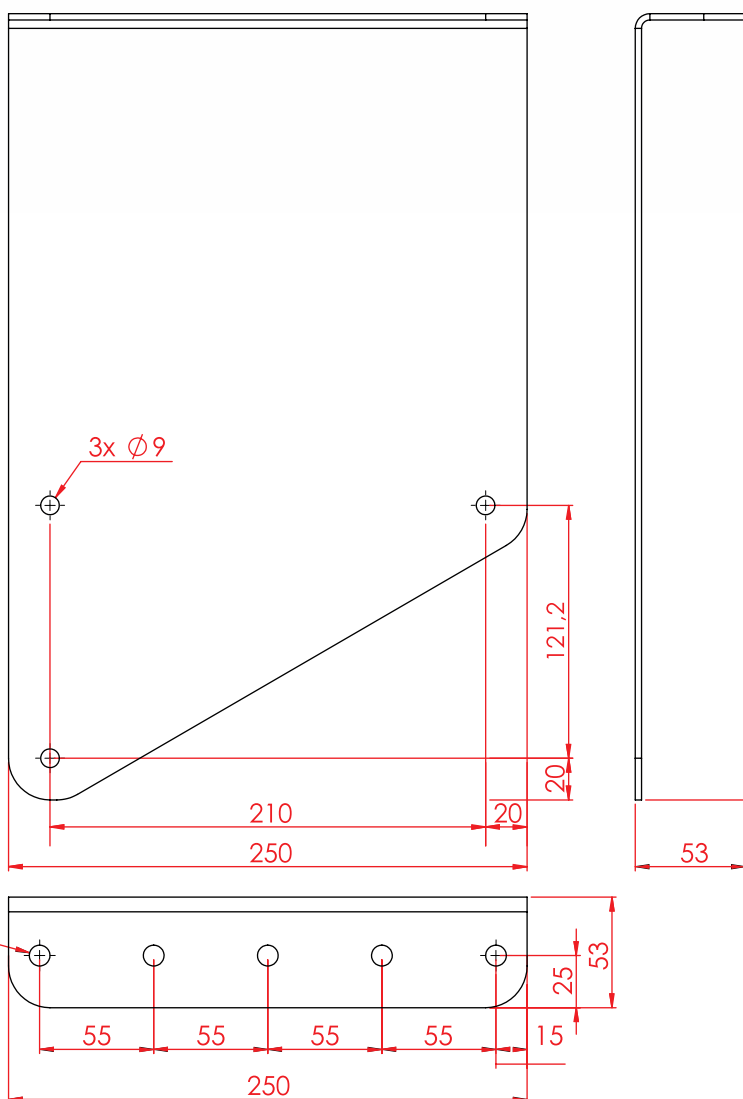
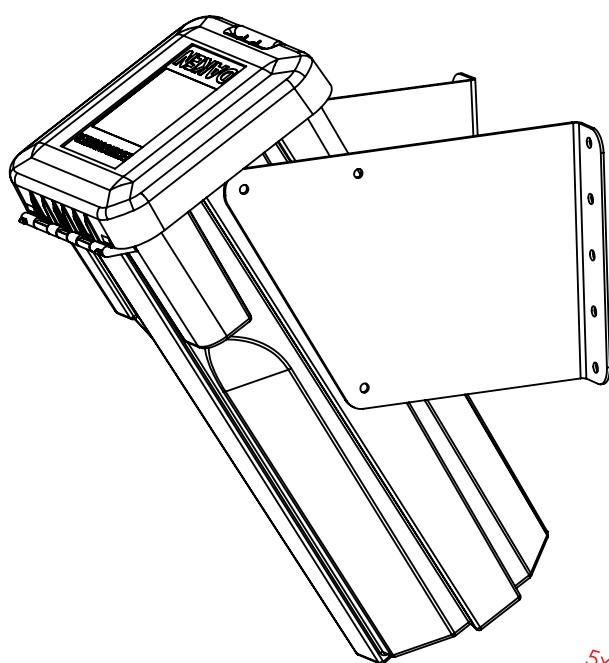
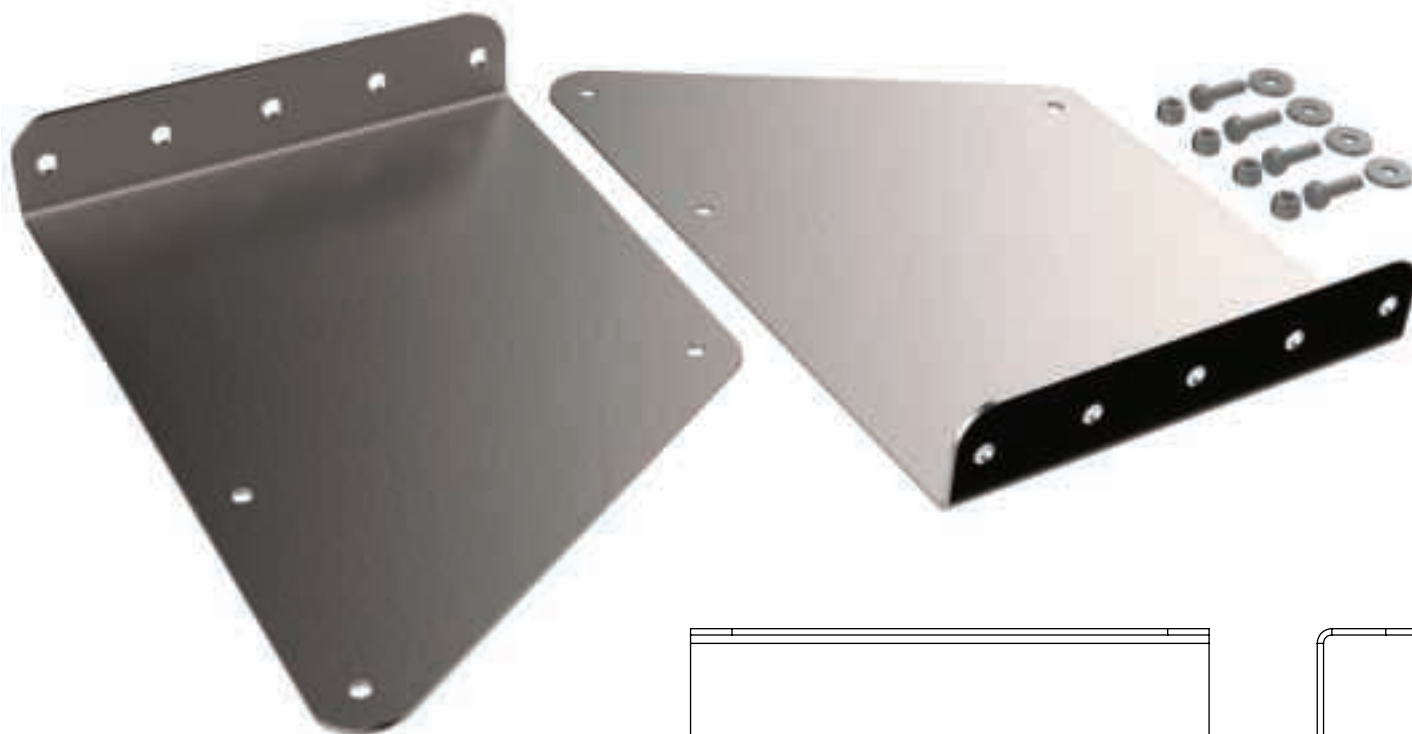


Code	Finish	Dimensions mm			Weight kg
		L	H	D	
88041	Galvanised	220	x 260	x 74	3.0
88042	Zinc Plated	220	x 260	x 74	3.0



# HOT GALVANISED STEEL BOX SUPPORT BRACKETS

Hot galvanized steel brackets with GEOMET coated fixing kit for Top Loading Fire Extinguisher Box



Code	Dimensions mm		Weight kg
	H	W	
88532	250	53	4.5

# DRY POWDER FIRE EXTINGUISHERS

A range of Dry Powder Fire Extinguisher sizes.



Clip on wall mounting available with 1kg and 2kg extinguisher



Strap fitting Wall mounting available with 3kg extinguisher



Code	Dimensions mm Height Dia	Weight Full (kg)	Capacity kg	Fire Rating	Operating (Bar) Pressure at 20°C	Operating Temperature
ITFIRE1	335 x 85	2.15	1	8A/55B	12	-30°C to +60°C
ITFIRE2	410 x 110	3.9	2	13A/70B	14	-30°C to +60°C
ITFIREPCE3	440 x 130	5.6	3	13A/89B	14	-30°C to +60°C
ITFIREPKM4	485 x 140	6.95	4	21A/113B	14	-30°C to +60°C
ITFIREPKM6	530 x 162	10.22	6	34A/233B	14	-30°C to +60°C
ITFIREPKM9	610 x 182	14.5	9	43A/233B	14	-30°C to +60°C

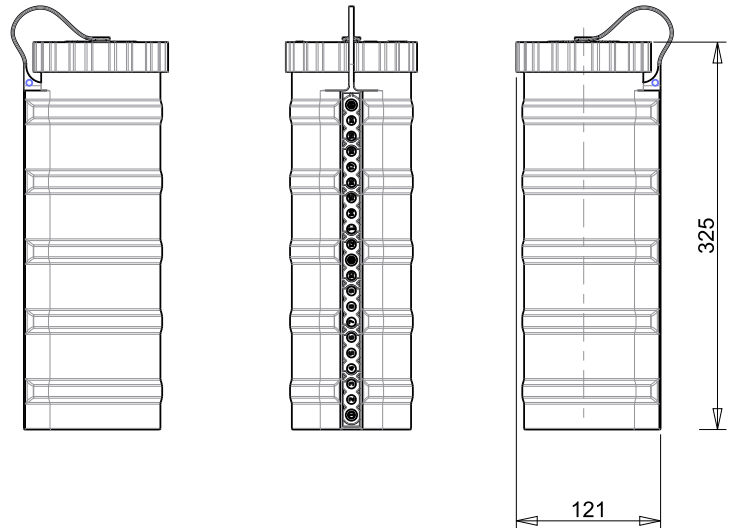
# DOCUMENT HOLDERS





## PLASTIC CYLINDER DOCUMENT HOLDER

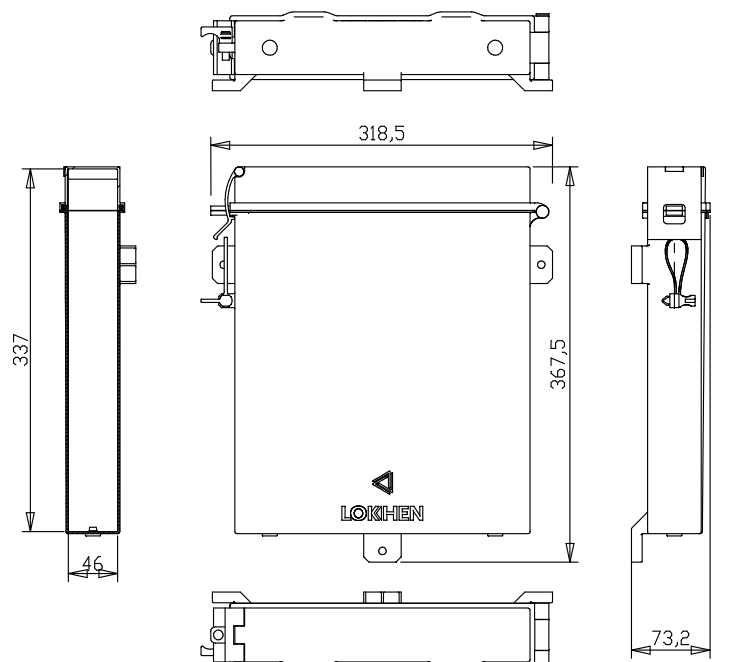
Document Cylinder Holder - Hermetic seal - Flexible fixing - Stiffening ribs - Anti-scratch finish



Code	Dimensions mm		Weight
	L	Ø	
LKDH-ROLL	325	121	0.5

## PLASTIC SIDE OPENING DOCUMENT HOLDER

Document Holder - Side opening - Hermetic seal - Double closing system with pin - Anti-scratch finish

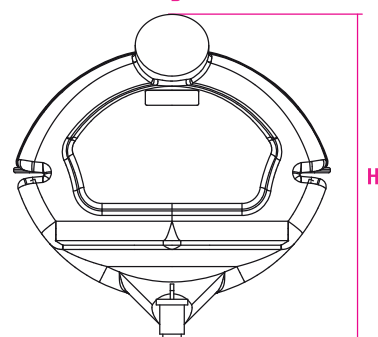
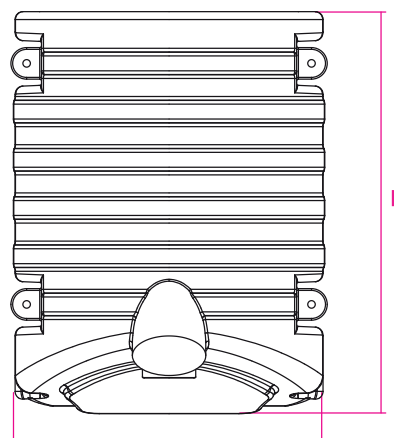


Code	Dimensions mm			Weight
	L	H	D	
LKDH-RIGHT	318.5	337	73.2	0.52

# PLASTIC WATER TANKS

## PLASTIC GALLERY WATER TANK with SOAP HOLDER

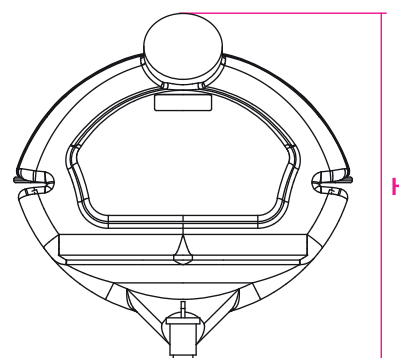
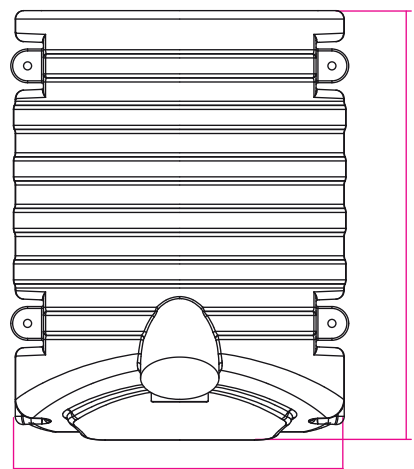
Plastic Gallery Water Tank with soap holder in different sizes and bracketry



Code	Dimensions mm			Capacity	Weight kg
	L	B	H		
LK30LG-SH	455	350	360	30	2.15
LK50LG-SH	455	350	360	50	3.65

## PLASTIC GALLERY WATER TANK with DUST CAP

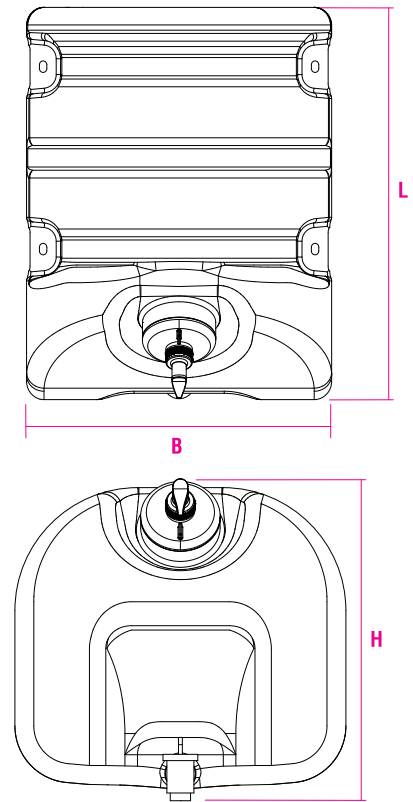
Plastic Gallery Water Tank with plain dust cap in different sizes and bracketry



Code	Dimensions mm			Capacity	Weight kg
	L	B	H		
LK30LG-DC	458	453	470	30	2.10
LK50LG-DC	458	453	470	50	3.60

## PLASTIC SQUARE WATER TANK

Plastic Square Water Tank with soap holder (SH) or plain dust cap (DC) in different sizes and bracketry



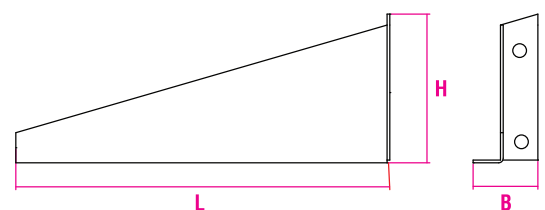
Code	Dimensions mm			Capacity	Weight kg
	L	B	H		
LK30LSQ-SH	421	343	333	30	2.15
LK30LSQ-DC	421	343	333	30	2.10

## ZINC PLATED BRACKETS FOR WATER TANKS (pair)

Horizontal zinc plated pair of brackets for 30 and 50 litre Plastic Water Tanks



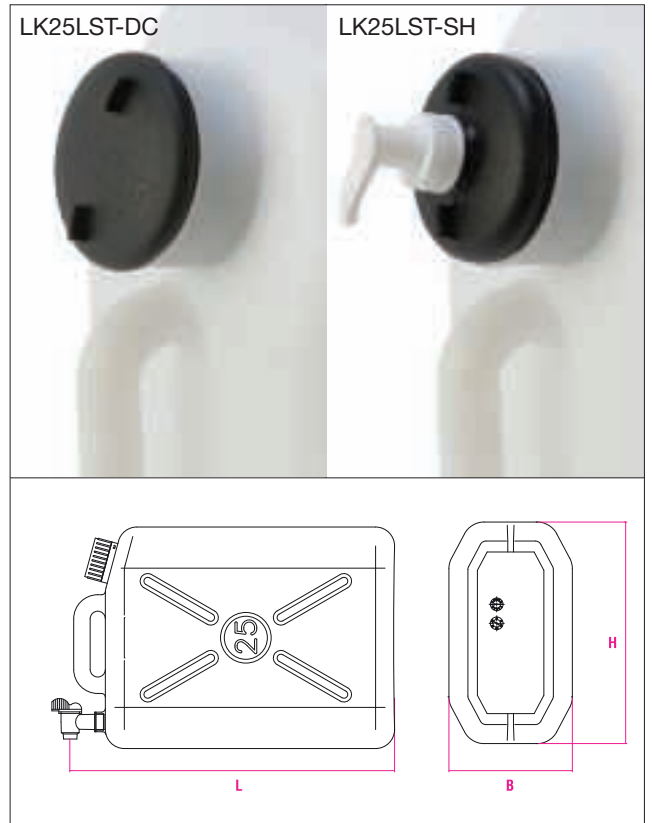
Code	Dimensions mm			Capacity	Weight kg
	L	B	H		
LK30LG-BK	414	68	159	30	3.45
LK50LG-BK	414	68	159	50	3.32
LK30LSQ-BK	296	73	158	30	3.25





## PLASTIC START WATER TANK 25 litre

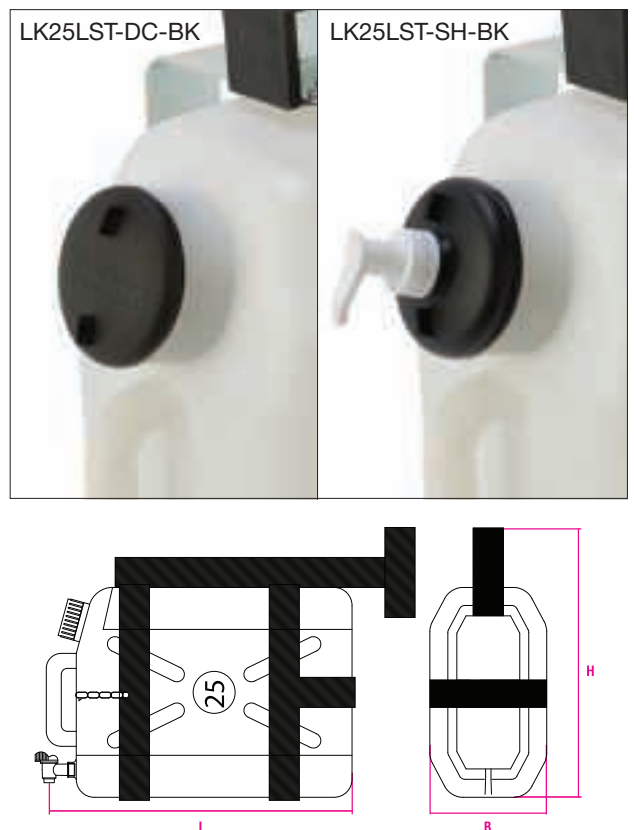
25 litre Plastic Start Water Tank with plain dust cap or soap holder



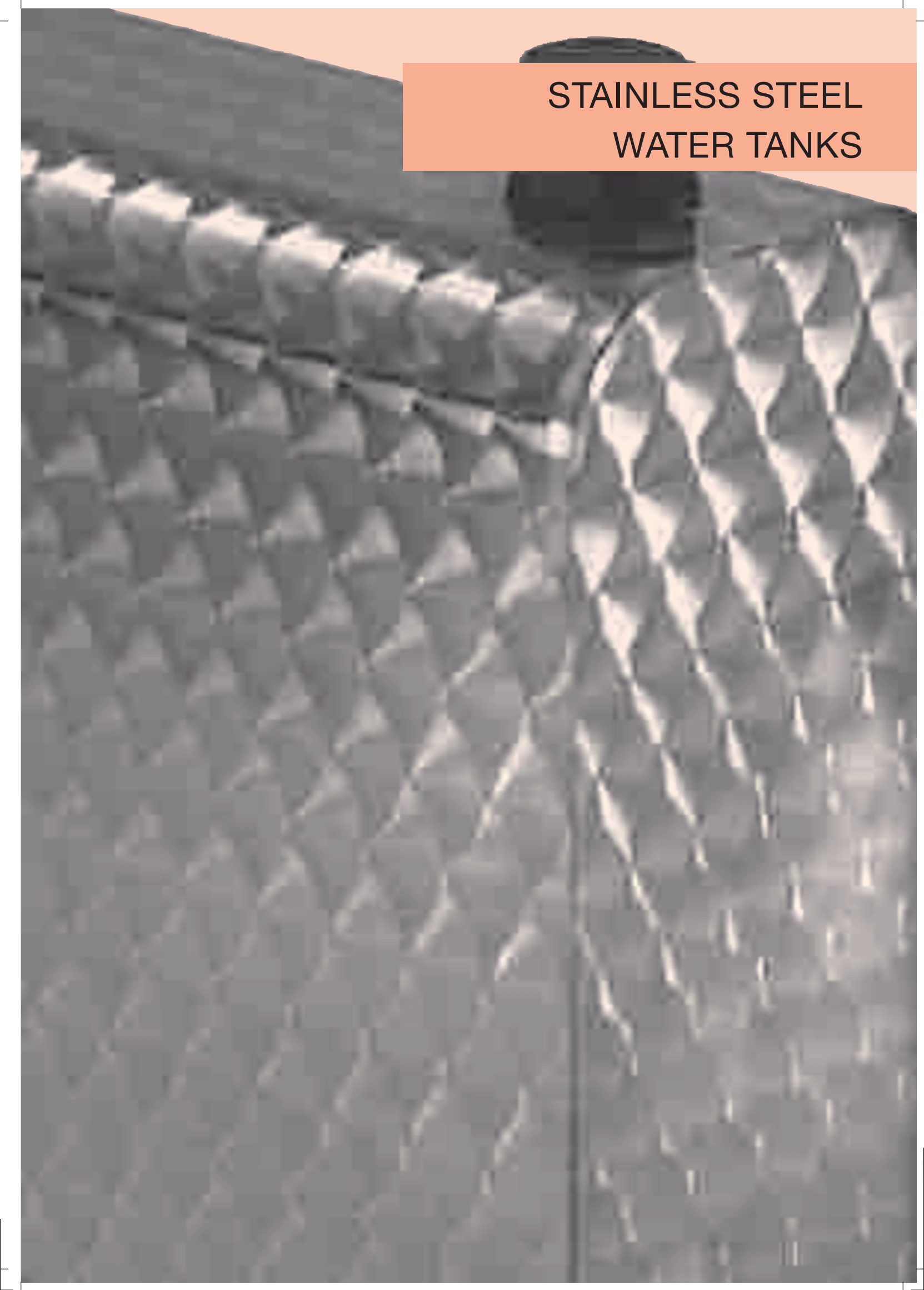
Code	Dimensions mm			Weight kg
	L	B	H	
LK25LST-DC	541	195	350	1.25
LK25LST-SH	541	195	350	1.25

## PLASTIC START WATER TANK 25 litre with ZINC PLATED CAGE

25 litre Plastic Start Water Tank & Cage with plain dust cap or soap holder



Code	Dimensions mm			Weight kg
	L	B	H	
LK25LST-DC-BK	634	213	470	6.50
LK25LST-SH-BK	644	213	470	6.50

A close-up photograph of a stainless steel water tank. The surface is embossed with a repeating diamond or quilted pattern, which is designed to reduce heat transfer. The lighting creates highlights and shadows that emphasize the three-dimensional texture of the metal. In the upper right corner, there is a dark, circular component, likely a cap or a valve. An orange rectangular box is overlaid on the top right of the image, containing the text 'STAINLESS STEEL WATER TANKS' in white, bold, uppercase letters.

**STAINLESS STEEL  
WATER TANKS**

## STAINLESS STEEL WATER TANKS 25 LITRE CAPACITY

Stainless Steel flowered finish water tanks, 1.0mm and Laser and/or TIG welded



Code	Capacity 25 litres	Dimensions mm			Weight kg
		L	H	D	
V9021		285	245	400	5.37
V9030	(with soap dispenser)	285	245	400	5.71

## STAINLESS STEEL WATER TANKS 10 LITRE CAPACITIES

Stainless Steel flowered finish water tanks, 1.0mm and Laser and/or TIG welded



Code	Capacity 10 litres	Dimensions mm			Weight kg
		L	H	D	
V9024		170	170	400	4.00
V9028	(with soap dispenser)	170	170	400	4.00

Code	Capacity 10 litres	Dimensions mm			Weight kg
		L	H	D	
V9025		170	370	400	6.41
V9029	(with soap dispenser)	170	370	400	6.41



# SIDEGUARD SYSTEMS

Fully Type Approved and Interchangeable LPD's

89/297/CEE  UTAC  

E11 73R-011025 - E11 73R-011028



# SIDEGUARD RAIL ALUMINIUM Fully Type Approved and Interchangeable LPD's

Anodised Aluminium Sideguards for protection

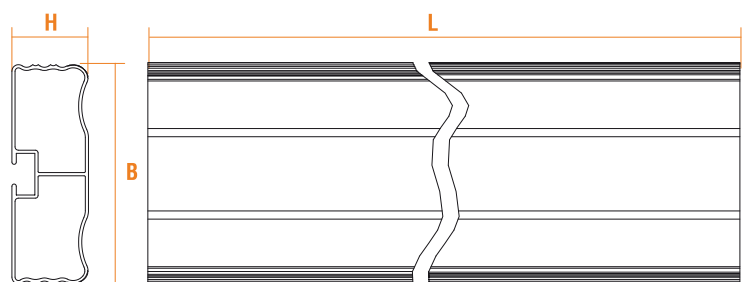
89/297/CEE     
 E11 73R-011025 - E11 73R-011028



Sideguard Aluminium Rail shown with Aluminium Header



Code	Dimensions mm			Weight kg
	L	B	H	
TK1210	3500	100	35	4.41
TK1215	4000	100	35	5.04
TK1220	4500	100	35	5.67
TK1225	5000	100	35	6.03
TK1230	5500	100	35	6.93
TK1235	6000	100	35	7.56
TK1240	6500	100	35	8.19
TK1250	7000	100	35	8.82



# SIDEGUARD RAIL MAGNELIS STEEL Fully Type Approved and Interchangeable LPD's

Magnelis Steel Sideguards for protection

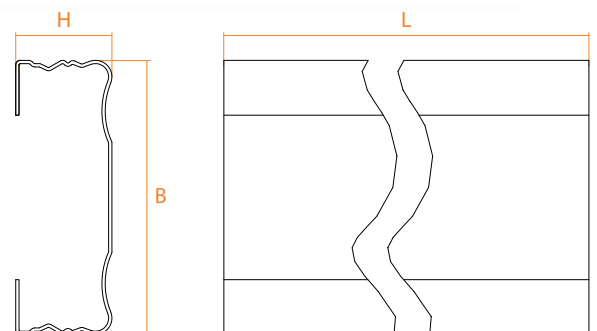
89/297/CEE     
**E11 73R-011025 - E11 73R-011028**



Sideguard Magnelis Rail shown with Grey Header



Code	Dimensions mm			Weight kg
	L	B	H	
TK1410	3500	100	35	6.58
TK1420	4500	100	35	8.46
TK1430	5500	100	35	10.34
TK1440	6500	100	35	12.23



# SIDEGUARD RAIL GREY PLASTIC Fully Type Approved and Interchangeable LPD's

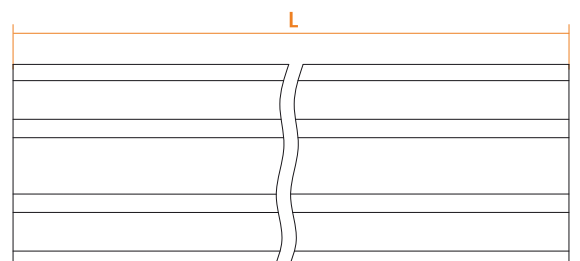
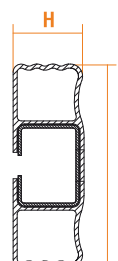
Grey Plastic Sideguards for protection

89/297/CEE     
 E11 73R-011025 - E11 73R-011028



Also available in Black  
subject to MOQ

Code	Dimensions mm			Weight kg
	L	B	H	
TK1007	3500	100	35	6.30
TK1008	4500	100	35	8.10
TK1009	5500	100	35	9.90
TK1010	6500	100	35	11.70





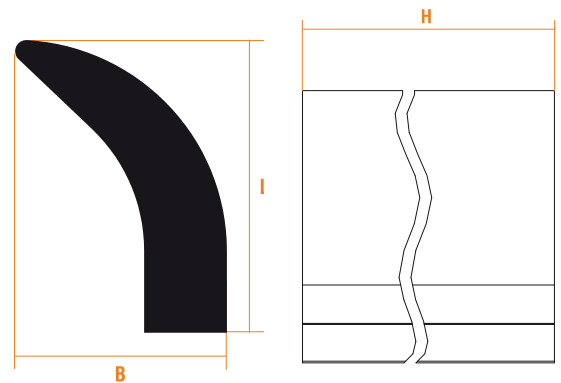
# ANODISED ALUMINIUM END CAPS Fully Type Approved and Interchangeable LPD's

Anodised Aluminium end protection caps



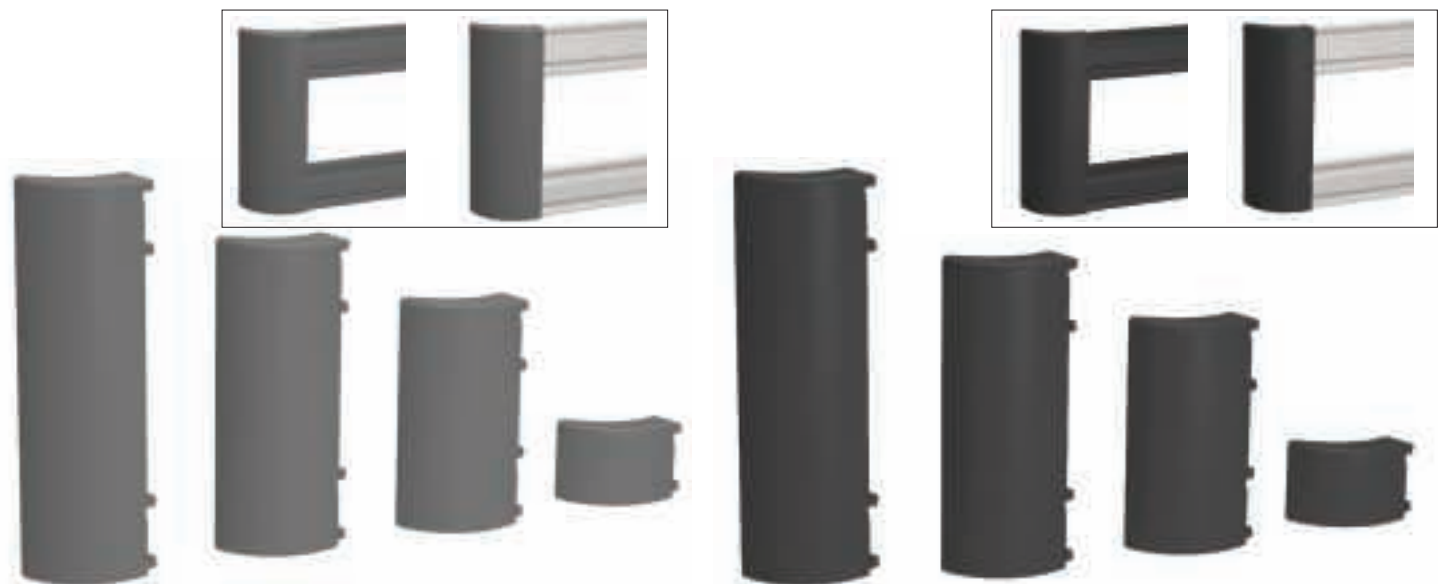
Code	Dimensions mm			Weight kg
	L	B	H	
TK1310	140	100	100	0.24
TK1320	140	100	300	0.64
TK1330	140	100	400	0.84
TK1340	140	100	500	1.04

**ALSO AVAILABLE IN KITS**



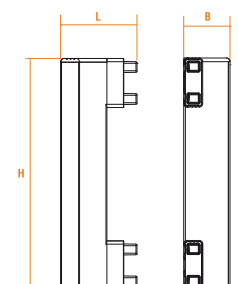
# GREY & BLACK END CAPS Fully Type Approved and Interchangeable LPD's

Grey or Black Plastic & Anodised Aluminium end protection caps



Code	Dimensions mm			Weight kg	Code	Dimensions mm			Weight kg
	L	B	H			L	B	H	
<b>GREY</b>					<b>BLACK</b>				
TK1027	140	100	100	0.16	TK1028	140	100	100	0.16
TK1032	140	100	300	0.41	TK1033	140	100	300	0.41
TK1037	140	100	400	0.51	TK1038	140	100	400	0.51
TK1042	140	100	500	0.59	TK1043	140	100	500	0.59

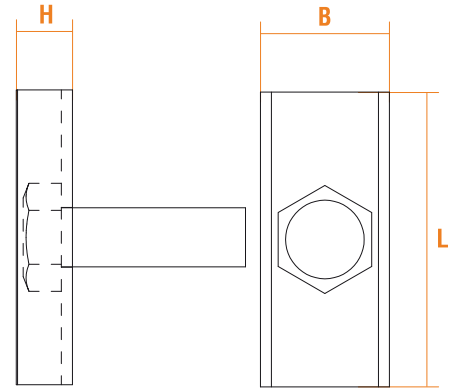
**ALSO AVAILABLE IN KITS**





# ALUMINIUM SIDEGUARD FIXING KIT Fully Type Approved and Interchangeable LPD's

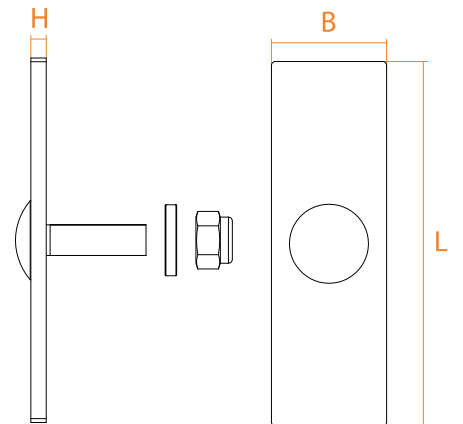
Aluminium Sideguard fixing kit



Code	Dimensions mm			Weight kg
	L	B	H	
TK1390	40	13.4	6.2	0.04

# MAGNELIS SIDEGUARD FIXING KIT Fully Type Approved and Interchangeable LPD's

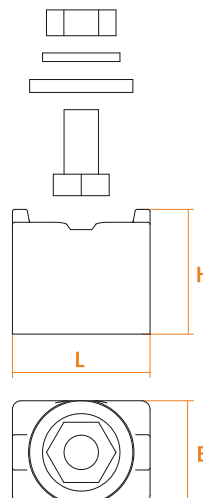
Magnelis Sideguard fixing kit



Code	Dimensions mm			Weight kg
	L	B	H	
TK1490	95	30	4	0.35

# PLASTIC SIDEGUARD FIXING KIT Fully Type Approved and Interchangeable LPD's

Plastic Sideguard fixing kit



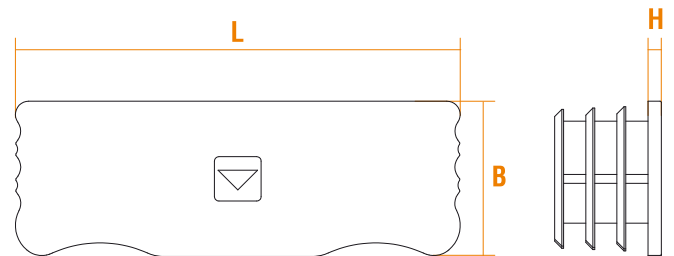
Code	Dimensions mm			Weight kg
	L	B	H	
TK1090	32	24	29	0.04

## CAPS FOR ALUMINIUM SIDEGUARD RAILS

End protection caps for Aluminium Sideguards



Code	Colour	Dimensions mm			Weight kg
		L	B	H	
TK1375	Grey	100	35	30	0.03
TK1380	Black	100	35	30	0.03

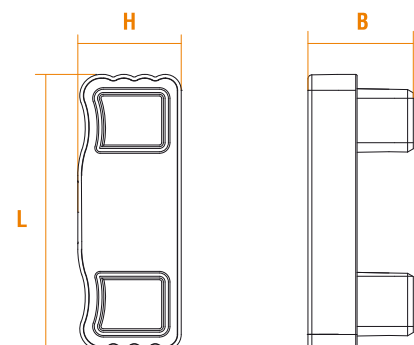


## CAPS FOR PLASTIC & MAGNELIS SIDEGUARD RAILS

End protection caps for Plastic and Magnelis Sideguards



Code	Colour	Dimensions mm			Weight kg
		L	B	H	
TK1095	Grey	106	41	41	0.04
TK1096	Black	106	41	41	0.04



# ALUMINIUM SIDEGUARD HEADER KITS

Aluminium Header Kits with all parts needed for fitting - Fully Type Approved and Interchangeable LPD's



Kit TL134001 illustrated



Kit TL131001

## Code and Contents per kit

### TL134001

(500mm Aluminium Sideguard Header Kit Comprised of 2 x TK1340 500mm Aluminium Headers, 8 x TK1390 Aluminium Sideguard Rail Fixing Inserts, 4 x TK1380 Black Plastic End Caps)

### TL133001

(400mm Aluminium Sideguard Header Kit Comprised of 2 x TK1330 400mm Aluminium Headers, 8 x TK1390 Aluminium Sideguard Rail Fixing Inserts, 4 x TK1380 Black Plastic End Caps)

### TL132001

(300mm Aluminium Sideguard Header Kit Comprised of 2 x TK1320 300mm Aluminium Headers, 8 x TK1390 Aluminium Sideguard Rail Fixing Inserts, 4 x TK1380 Black Plastic End Caps)

### TL131001

(100mm Aluminium Sideguard Header Kit Comprised of 2 x TK1310 100mm Aluminium Headers, 4 x TK1390 Aluminium Sideguard Rail Fixing Inserts, 2 x TK1380 Black Plastic End Caps)

# PLASTIC SIDEGUARD HEADER KITS FOR PLASTIC, ALUMINIUM & MAGNELIS RAILS

Plastic Header Kits with all parts needed for fitting - Fully Type Approved and Interchangeable LPD's



Kit TL104200 illustrated



Kit TL102700

## Code and Contents per kit

### TL104200

500mm Plastic Sideguard Header Kit Comprised of 2 x TK1042 500mm Grey Plastic Headers, 8 x TK1090 Plastic Sideguard Rail Fixing Inserts, 4 x TK1095 Grey Plastic End Caps

### TL103700

400mm Plastic Sideguard Header Kit Comprised of 2 x TK1037 400mm Grey Plastic Headers, 8 x TK1090 Plastic Sideguard Rail Fixing Inserts, 4 x TK1095 Grey Plastic End Caps

### TL103200

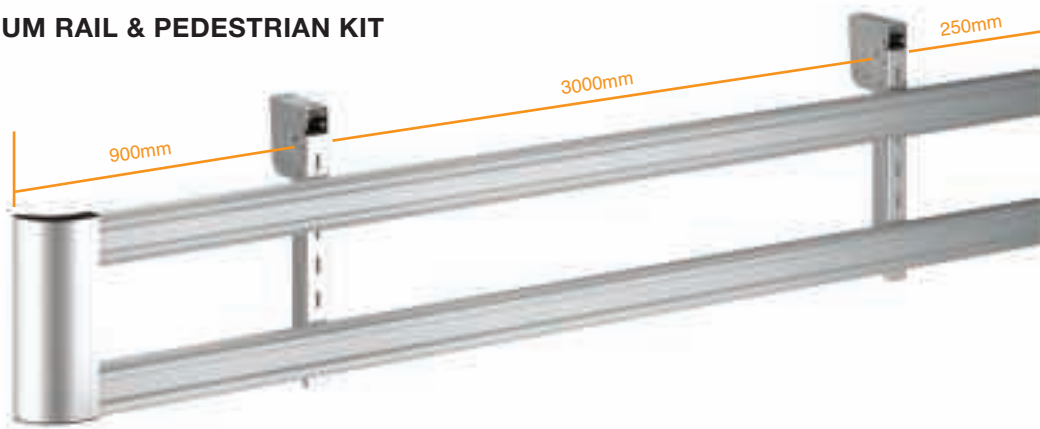
300mm Plastic Sideguard Header Kit Comprised of 2 x TK1032 300mm Grey Plastic Headers, 8 x TK1090 Plastic Sideguard Rail Fixing Inserts, 4 x TK1095 Grey Plastic End Caps

### TL102700

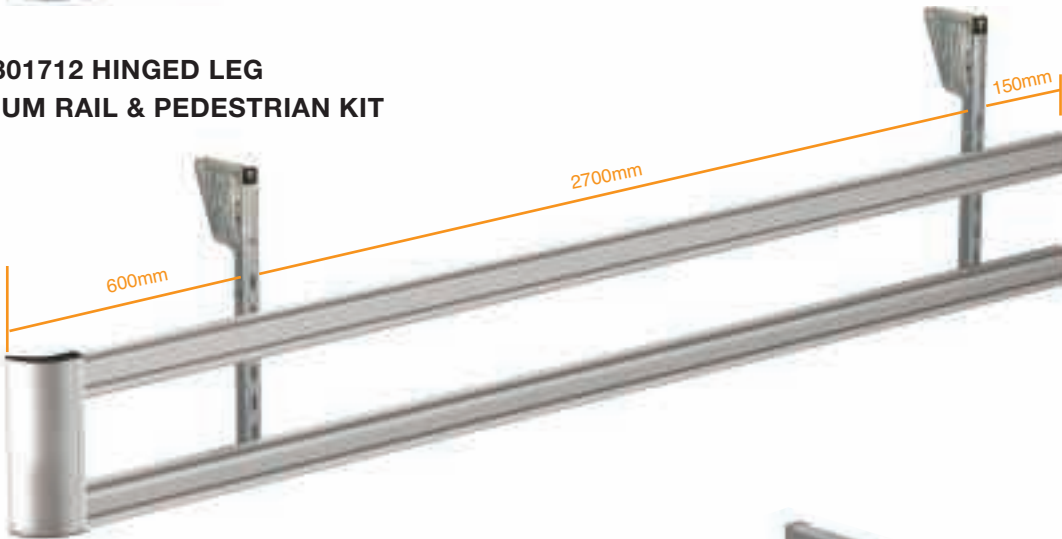
100mm Plastic Sideguard Header Kit Comprised of 2 x TK1027 100mm Plastic Headers, 4 x TK1090 Plastic Sideguard Rail Fixing Inserts, 2 x TK1095 Grey Plastic End Caps

# COMMON LPD POSITIONS

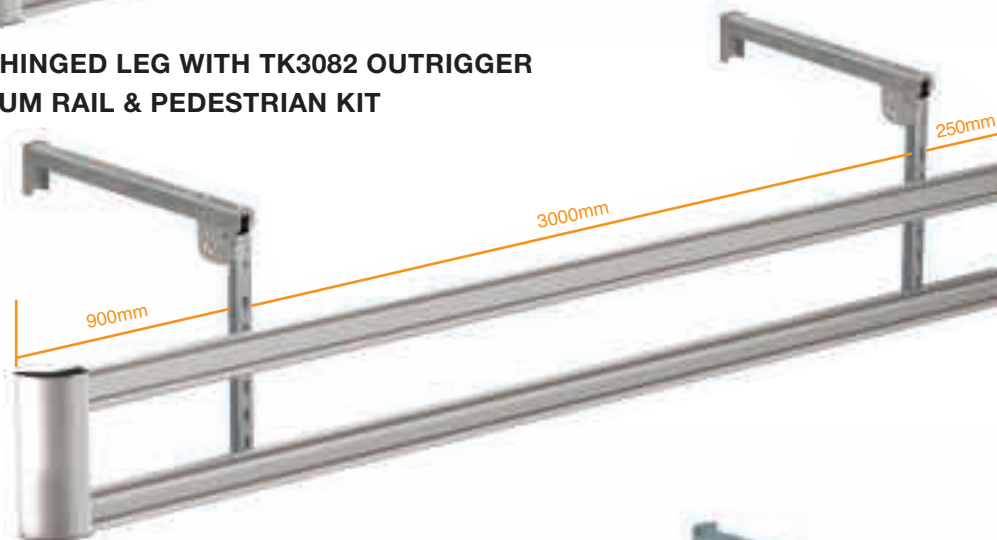
**MAGNELIS TK3025 HINGED LEG  
WITH ALUMINIUM RAIL & PEDESTRIAN KIT**



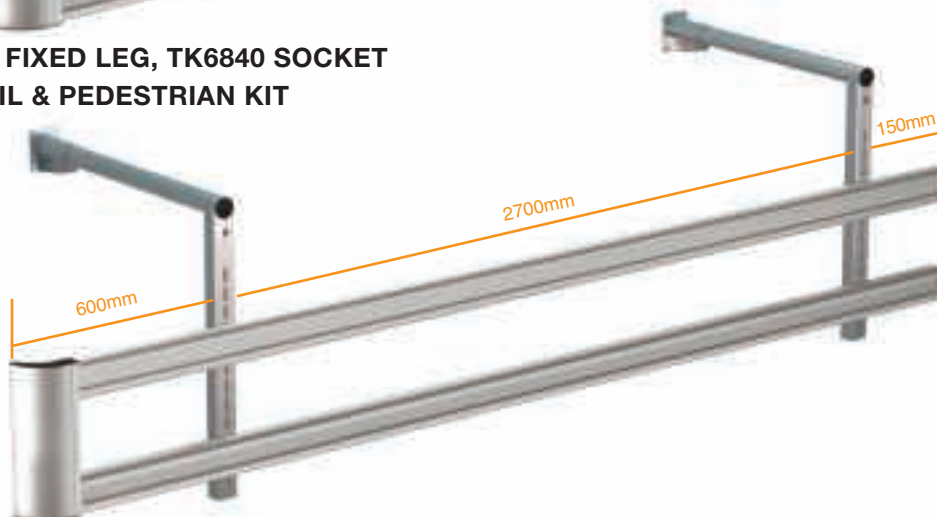
**MAGNELIS TL301712 HINGED LEG  
WITH ALUMINIUM RAIL & PEDESTRIAN KIT**



**MAGNELIS TK3025 HINGED LEG WITH TK3082 OUTRIGGER  
BRACKET ALUMINIUM RAIL & PEDESTRIAN KIT**



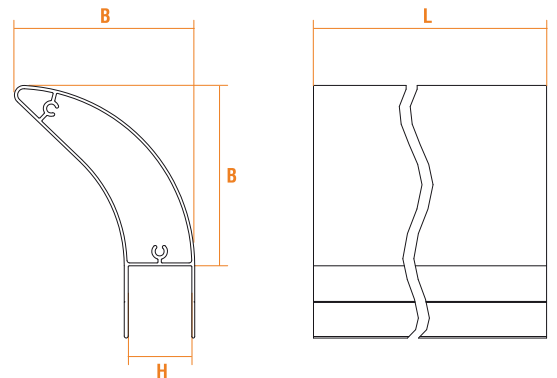
**ZINC PLATED TK3054 FIXED LEG, TK6840 SOCKET  
WITH ALUMINIUM RAIL & PEDESTRIAN KIT**





## ANODISED ALUMINIUM HEADER PROFILE

Header profiles for Aluminium side protecting bars - Fully Type Approved and Interchangeable LPD's



Code	Dimensions mm			Weight kg
	L	B	H	
TK1350	3000	100	35	4.32
TK1360	6500	100	35	9.35

## GREY & BLACK PLASTIC HEADER PROFILE

Header profiles for Plastic side protecting bars - Fully Type Approved and Interchangeable LPD's

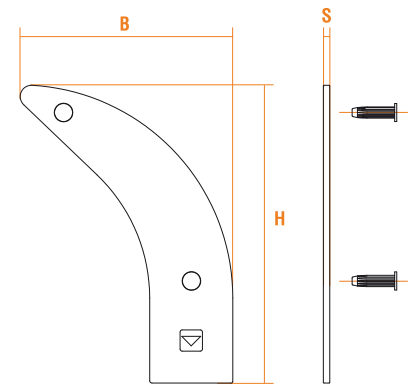


Code	Dimensions mm			Weight kg
	L	B	H	
<b>GREY SIDEGUARD</b>				
TK1020	3000	120	100	2.26
<b>BLACK SIDEGUARD</b>				
TK1021	3000	120	100	2.26



## CAP FOR ALUMINIUM HEADERS

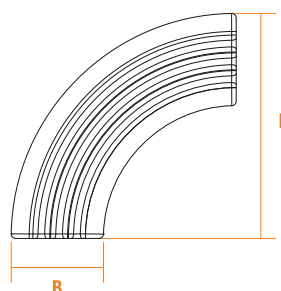
End caps for Header profiles for Aluminium sideguards - Fully Type Approved and Interchangeable LPD's



Code	Dimensions mm			Weight kg
	L	B	H	
TK1385	140	100	3	0.02

## CAPS FOR PLASTIC HEADERS

End caps for Header profiles on Plastic sideguards - Fully Type Approved and Interchangeable LPD's

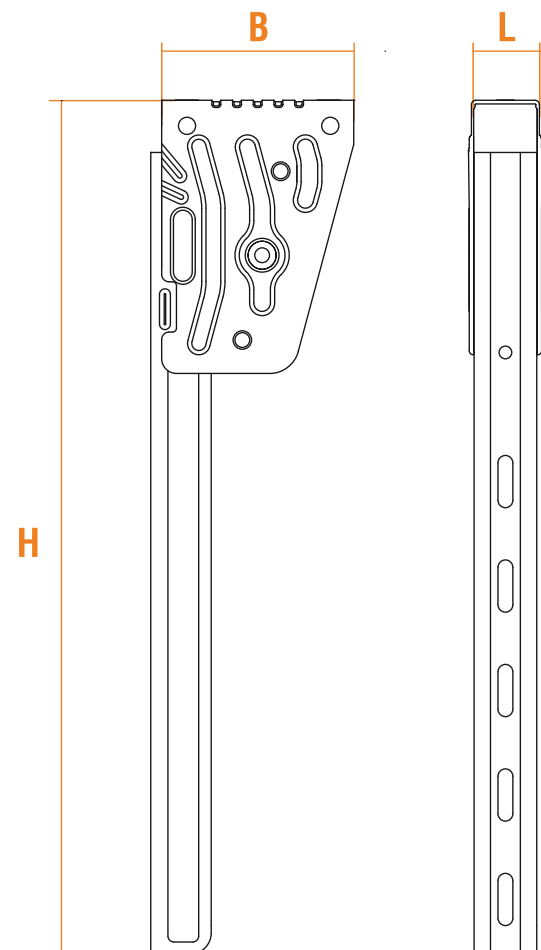


Code	Colour	Dimensions mm			Weight kg
		L	B	H	
TK1080	Grey	140	21	28	0.04
TK1081	Black	140	21	28	0.04

# HINGED SIDE GUARD BRACKETS

Adjustable brackets for sideguards in Magnelis, Galvanised, Stainless Steel and Black Powder Coated  
Fully Type Approved and Interchangeable LPD's

89/297/CEE     
E11 73R-011025 - E11 73R-011028



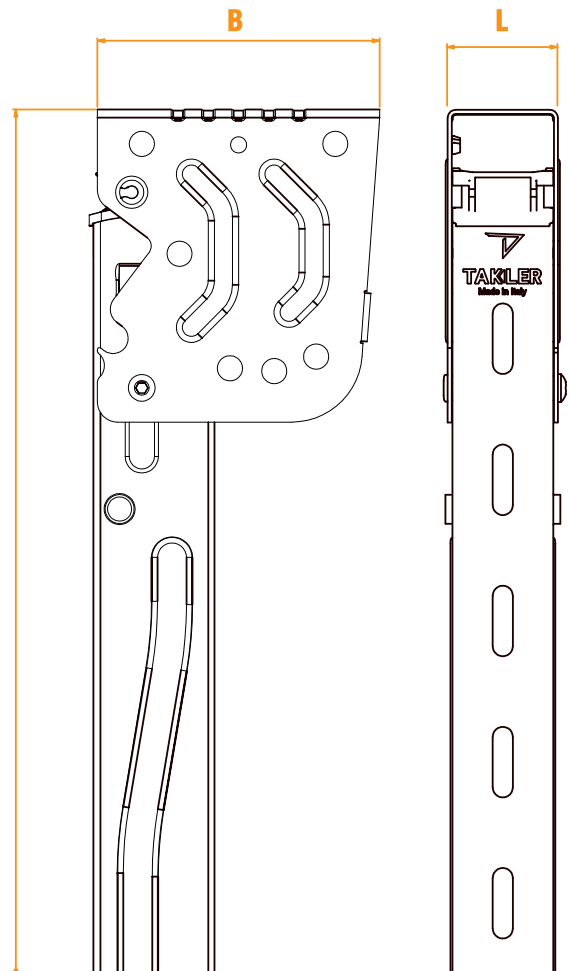
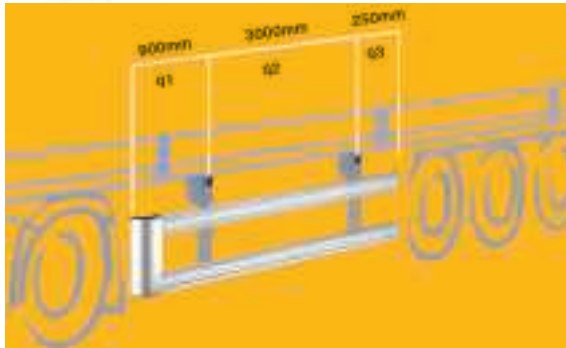
Code	Material	Dimensions mm			Weight kg
		L	B	H	
TL301208	Magnelis	46	136	572	1.50
TL301712	Magnelis	46	136	710	2.20
TK3022	Hot Galvanised	46	136	572	1.97
TK3027	Hot Galvanised	46	136	710	2.28
TK3032	Stainless Steel	46	136	572	1.50
TK3037	Stainless Steel	46	136	710	1.70
TK3042	Black Powder Coated	46	136	572	1.96
TK3047	Black Powder Coated	46	136	710	2.27

# HIGH RATED HINGED BRACKETS Fully Type Approved and Interchangeable LPD's

Adjustable brackets for sideguards in Magnelis, Stainless Steel and Black Powder Coated

Fully Type Approved and Interchangeable LPD's

89/297/CEE     
**E11 73R-011025 - E11 73R-011028**



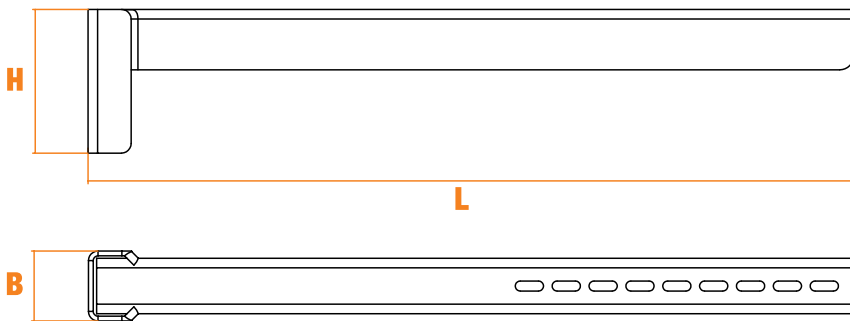
Code	Material	Dimensions mm			Weight kg
		L	B	H	
TK3021	Magnelis	54.7	140	430	0.80
TK3023	Magnelis	54.7	140	572	1.80
TK3025	Magnelis	54.7	140	710	2.00
TK3029	Magnelis	54.7	140	790	2.00
TK3034	Stainless Steel	54.7	140	572	1.60
TK3038	Stainless Steel	54.7	140	710	1.80
TK3039	Stainless Steel	54.7	140	790	2.00
TK3044	Black Powder Coated	54.7	140	572	1.73
TK3048	Black Powder Coated	54.7	140	710	1.95
TK3049	Black Powder Coated	54.7	140	790	2.00



# ADJUSTABLE CHASSIS MOUNTING BRACKET

Steel and Galvanised Adjustable Chassis mounting Brackets for hinged sideguard legs  
Fully Type Approved and Interchangeable LPD's

89/297/CEE     
E11 73R-011025 - E11 73R-011028

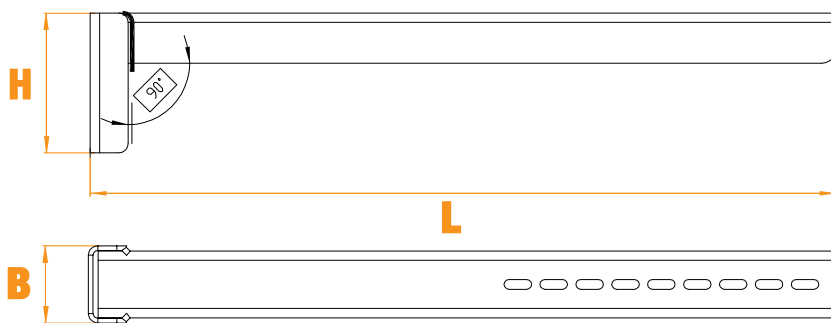
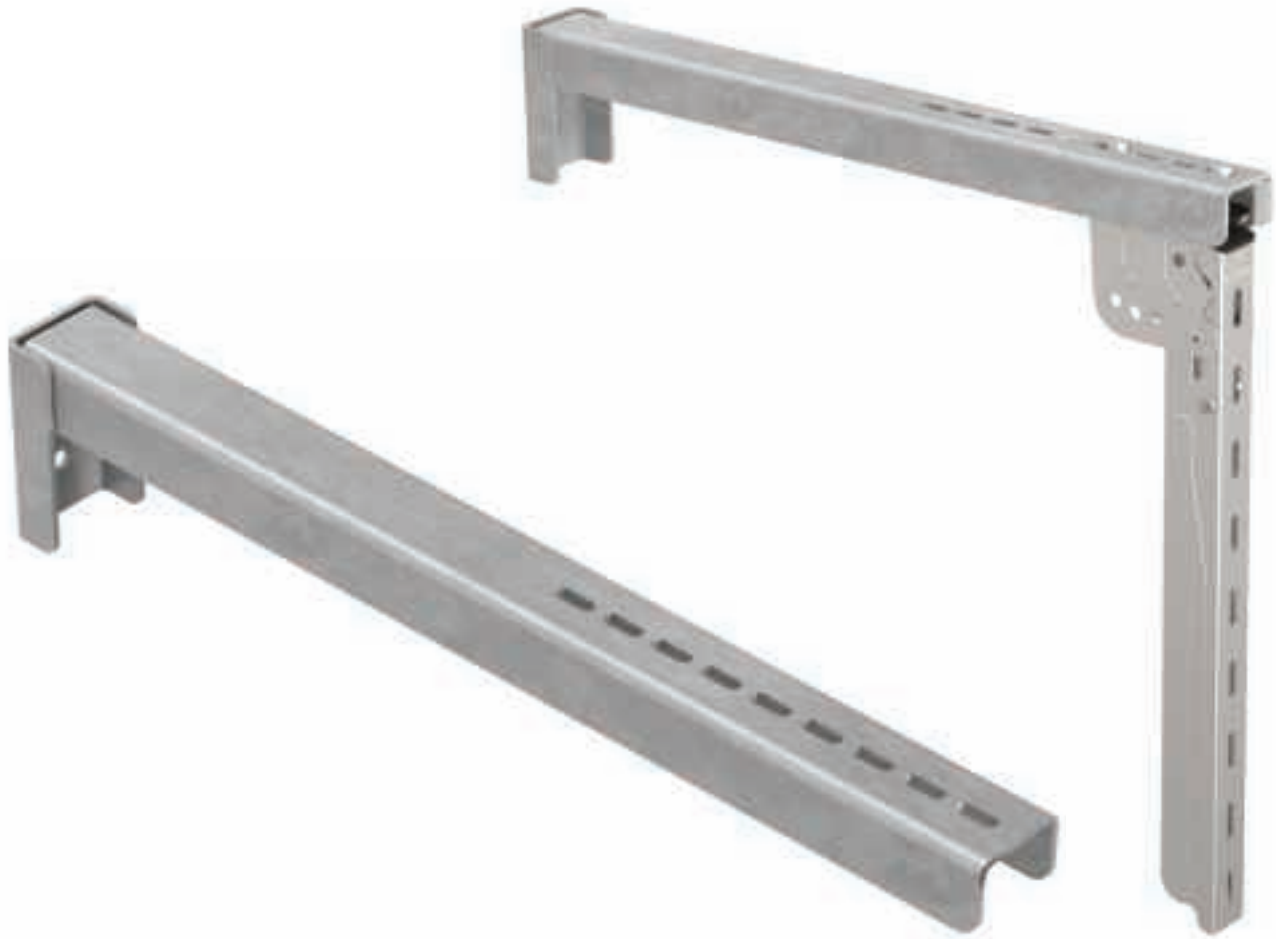


Code	Finish	Dimensions mm			Weight kg
		L	B	H	
TK3080	Steel	800	73	150	3.75
TK308002	Galvanised	800	73	150	3.85

# ADJUSTABLE CHASSIS MOUNTING BRACKET

Steel and Galvanised Adjustable Chassis mounting Brackets for High Rated Hinged sideguard legs  
Fully Type Approved and Interchangeable LPD's

89/297/CEE     
E11 73R-011025 - E11 73R-011028

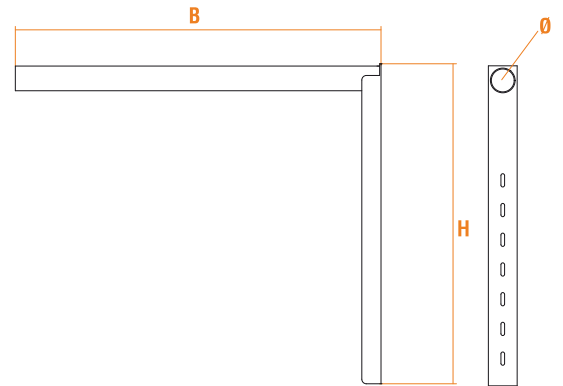


Code	Finish	Dimensions mm			Weight kg
		L	B	H	
TK3082	Steel	800	83	150	5.82
TK3084	Zinc Plated	800	83	150	5.82
TK3086	Galvanised	800	83	150	5.82

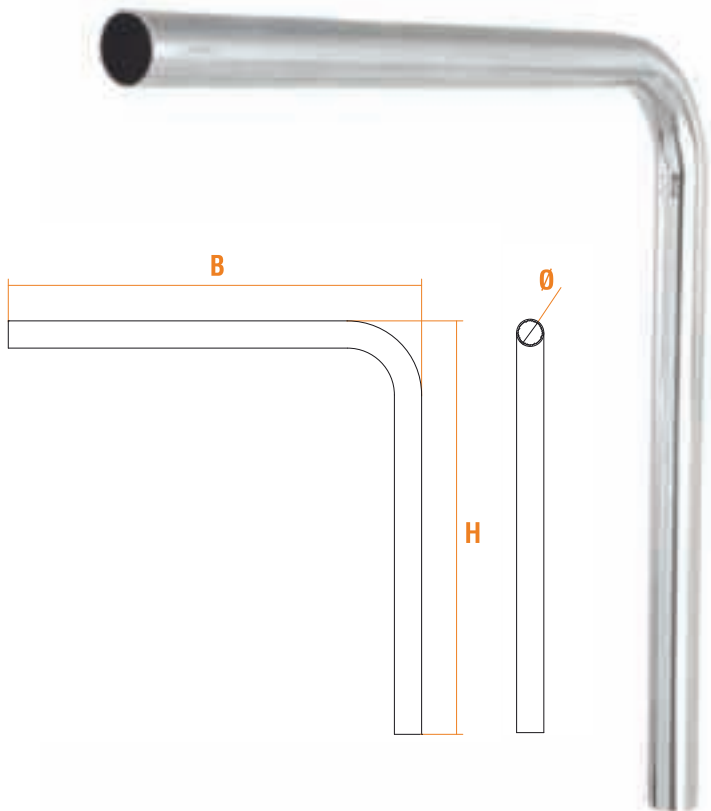
# FIXED SIDEGUARD BRACKETS

Fixed Zinc Plated Brackets for sideguards - Fully Type Approved and Interchangeable LPD's

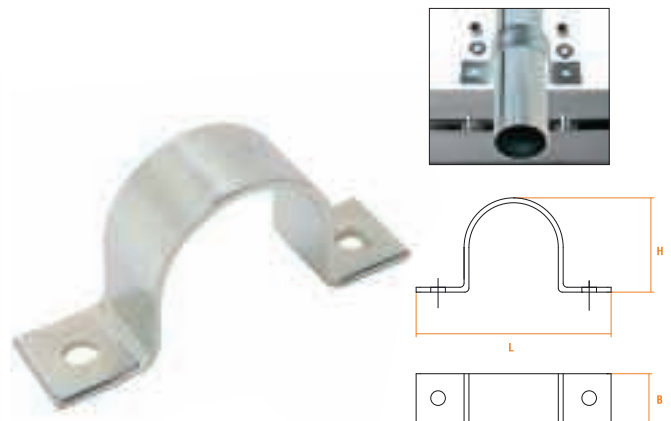
89/297/CEE     
E11 73R-011025 - E11 73R-011028



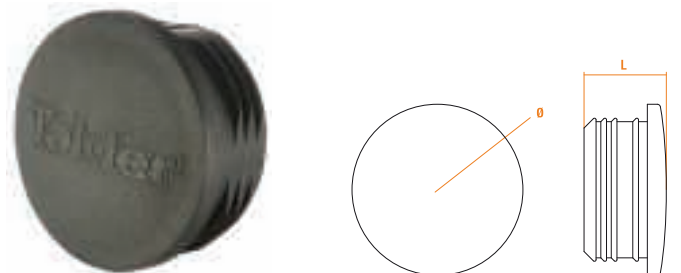
Code	Dimensions mm		Weight kg
	Ø	B H	
TK3050	54	802 x 700	3.71
TK3054	54	800 x 800	3.50



Code	Dimensions mm		Weight kg
	Ø	B H	
TK3060	54	810 x 810	3.75



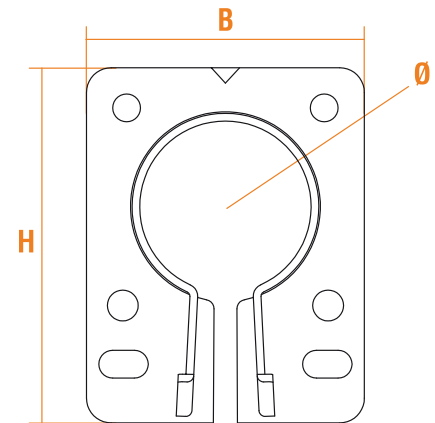
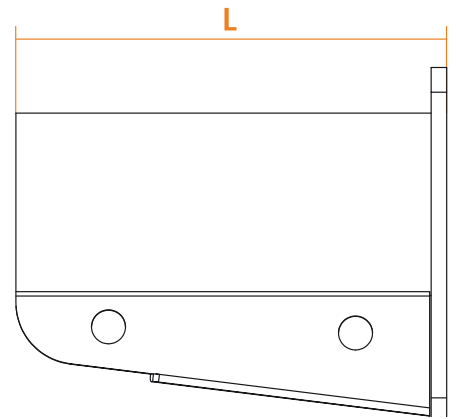
Code	Dimensions mm			Weight kg
	L	B	H	
TK1085	120	30	56	0.13



Code	Dimensions mm		Weight kg
	Ø	L	
TK9950	54	26	0.01

## BRACKET SUPPORT ZINC PLATED

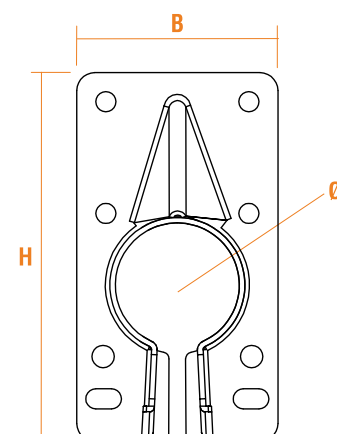
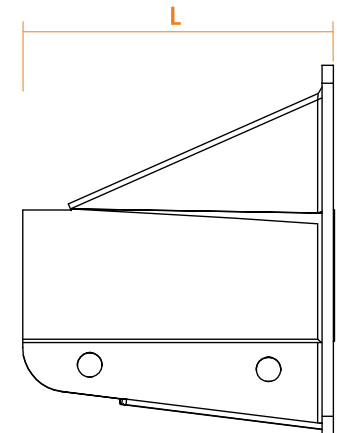
Zinc Plated Supports for sideguard Brackets - Fully Type Approved and Interchangeable LPD's



Code	Dimensions mm			Ø	Weight kg
	L	B	H		
TK6840	139	90	115	54	0.90

## REINFORCED BRACKET SUPPORT ZINC PLATED

Zinc Plated Supports for sideguard Brackets - Fully Type Approved and Interchangeable LPD's



Code	Dimensions mm			Ø	Weight kg
	L	B	H		
TK684007	139	90	165	54	0.90



## STAINLESS STEEL EXTRA PIN FOR BRACKET

Stainless Steel Extra Pin for Brackets (see Page H12) - Fully Type Approved and Interchangeable LPD's



Code	Dimensions mm	Weight kg
TK5000032 (see Page H12)	68 x 12 x 64.5	0.07

## STAINLESS STEEL EXTRA PIN FOR BRACKET

Stainless Steel Extra Pin for Brackets (see Page H13) - Fully Type Approved and Interchangeable LPD's



Code	Dimensions mm	Weight kg
TK5000103 (see Page H13)	68.5 x 19 x 57	0.07

# PLASTIC SUPPORT FOR ADJUSTABLE BRACKET

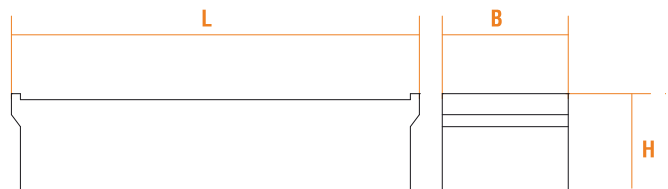
Plastic Support for adjustable brackets - Fully Type Approved and Interchangeable LPD's



TK3090

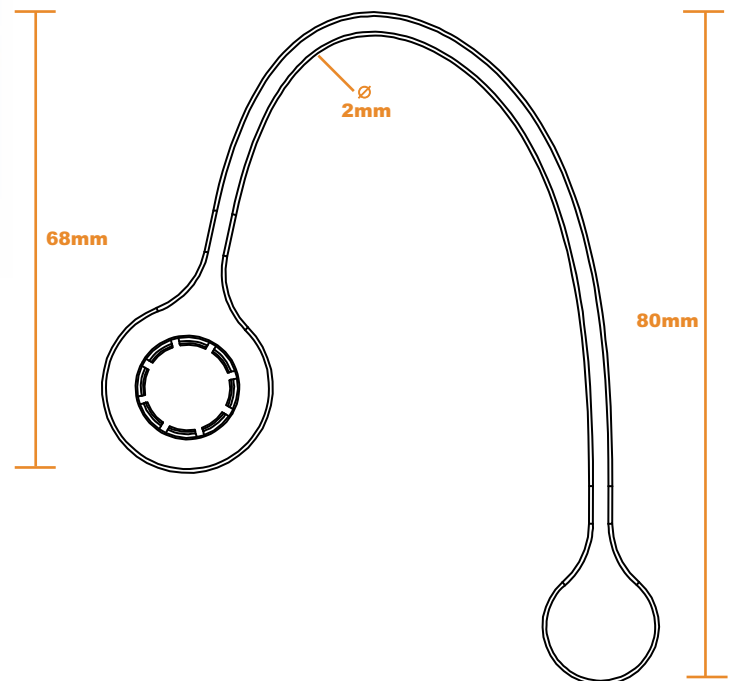
TK3092

Code		Dimensions mm			Weight kg
		L	B	H	
TK3090	(see Page H12)	130	41	32	0.08
TK3092	(see Page H13)	136	42	32	0.07






# PLASTIC CORD FOR EXTRA PIN

Plastic Cord for extra pin fitted to Adjustable Brackets (see Page H13)  
Fully Type Approved and Interchangeable LPD's



Code	Weight kg
5000116 (see Page H13)	0.08

# VCA TYPE APPROVAL SUMMARY

PRODUCT CODE	NEW HINGED BRACKET 	RAIL TYPE		
		ALUMINIUM	MAGNELIS	PLASTIC
TK3004 TK3008	POLISHED STAINLESS STEEL - 572mm POLISHED STAINLESS STEEL - 710mm	73R-011026 EXT 02 73R-011026 EXT 02	73R-011026 EXT 02 73R-011026 EXT 02	73R-011028 EXT 02 73R-011028 EXT 02
TK3034 TK3038 TL303800	STAINLESS STEEL - 572mm STAINLESS STEEL - 710mm STAINLESS STEEL - 790mm	73R-011026 EXT 02 73R-011026 EXT 02 73R-011026 EXT 02	73R-011026 EXT 02 73R-011026 EXT 02 73R-011026 EXT 02	73R-011028 EXT 02 73R-011028 EXT 02 73R-011028 EXT 02
TK3014 TK3018 TL301800	ZINC PLATED - 572mm ZINC PLATED - 710mm ZINC PLATED - 790mm	73R-011025 EXT 03 73R-011025 EXT 03 73R-011025 EXT 03	73R-011025 EXT 03 73R-011025 EXT 03 73R-011025 EXT 03	73R-011027 EXT 02 73R-011027 EXT 02 73R-011027 EXT 02
TK3011 TK3013 TK3015 TK3019	ZINC PLATED - 430mm ZINC PLATED - 572mm ZINC PLATED - 710mm ZINC PLATED - 790mm	<b>N/A</b> 73R-011025 EXT 03 73R-011025 EXT 03 73R-011025 EXT 03	<b>N/A</b> 73R-011025 EXT 03 73R-011025 EXT 03 73R-011025 EXT 03	<b>N/A</b> 73R-011027 EXT 02 73R-011027 EXT 02 73R-011027 EXT 02
TK3021 TK3023 TK3025 TK3029	MAGNELIS STEEL - 430mm MAGNELIS STEEL - 572mm MAGNELIS STEEL - 710mm MAGNELIS STEEL - 790mm	<b>N/A</b> 73R-011025 EXT 03 73R-011025 EXT 03 73R-011025 EXT 03	<b>N/A</b> 73R-011025 EXT 03 73R-011025 EXT 03 73R-011025 EXT 03	<b>N/A</b> 73R-011027 EXT 02 73R-011027 EXT 02 73R-011027 EXT 02
TK3024 TK3028 TL302800	HOT GALVANIZED - 572mm HOT GALVANIZED - 710mm HOT GALVANIZED - 790mm	73R-011025 EXT 03 73R-011025 EXT 03 73R-011025 EXT 03	73R-011025 EXT 03 73R-011025 EXT 03 73R-011025 EXT 03	73R-011027 EXT 02 73R-011027 EXT 02 73R-011027 EXT 02
TK3044 TK3048 TL304800	BLACK POWDER COATED - 572mm BLACK POWDER COATED - 710mm BLACK POWDER COATED - 790mm	73R-011025 EXT 03 73R-011025 EXT 03 73R-011025 EXT 03	73R-011025 EXT 03 73R-011025 EXT 03 73R-011025 EXT 03	73R-011027 EXT 02 73R-011027 EXT 02 73R-011027 EXT 02
TK3082	ROUGH SUPPORTING SLOTTED ADJUSTABLE 800 x 150 x 82.7mm	73R011025 EXT 03 73R-011026 EXT 02 73R-011027 EXT 02 73R-011028 EXT 02	73R-011025 EXT 03 73R-011026 EXT 02 73R-011027 EXT 02 73R-011028 EXT 02	73R-011025 EXT 03 73R-011026 EXT 02 73R-011027 EXT 02 73R-011028 EXT 02
PRODUCT CODE	CURRENT HINGED BRACKETS 	RAIL TYPE		
		ALUMINIUM	MAGNELIS	PLASTIC
TL301208 TL301712	MAGNELIS - 572mm MAGNELIS - 710mm	73R-011025 EXT_04 73R-011025 EXT_04	73R-011025 EXT_04 73R-011025 EXT_04	<b>N/A</b> <b>N/A</b>
TK3022 TK3027	HOT GALVANIZED STEEL - 572mm HOT GALVANIZED STEEL - 710mm	73R-011025 EXT_02 73R-011025 EXT_02	73R-011025 EXT_02 73R-011025 EXT_02	73R-011027 EXT_01 73R-011027 EXT_01
TK3042 TK3047	BLACK POWDER COATED STEEL - 572mm BLACK POWDER COATED STEEL - 710mm	73R-011025 EXT_02 73R-011025 EXT_02	73R-011025 EXT_02 73R-011025 EXT_02	73R-011027 EXT_01 73R-011027 EXT_01
TK3032 TK3037	STAINLESS STEEL - 572mm STAINLESS STEEL - 710mm	73R-011026 EXT_01 73R-011026 EXT_01	<b>N/A</b> <b>N/A</b>	73R-011028 EXT_01 73R-011028 EXT_01
TK3035 TK3040	POLISH STAINLESS STEEL - 572mm POLISH STAINLESS STEEL - 710mm	73R-011026 EXT_01 73R-011026 EXT_01	<b>N/A</b> <b>N/A</b>	73R-011028 EXT_01 73R-011028 EXT_01
TK3080	SUPPORTING SLOTTED BRACKET ADJUSTABLE 800 x 150 x 74mm	73R011025 EXT 02 73R-011026 EXT 01 73R-011027 EXT 01 73R-011-028 EXT 01	73R011025 EXT 02 73R-011026 EXT 01 73R-011027 EXT 01 73R-011-028 EXT 01	73R011025 EXT 02 73R-011026 EXT 01 73R-011027 EXT 01 73R-011-028 EXT 01
PRODUCT CODE	FIXED BRACKETS 	RAIL TYPE		
		ALUMINIUM	MAGNELIS	PLASTIC
TK3050	ZINC PLATED 800 x 700mm WITH TK6840 SUPPORT	73R-011025 EXT 02	73R-011025 EXT01	73R-011027 EXT 01
TK3052	ZINC PLATED 600 x 492mm WITH TK6810 SUPPORT	73R-011025 EXT 02	73R-011025 EXT01	73R-011027 EXT 01
TK3054	ZINC PLATED 800 x 800mm WITH TK6840 SUPPORT	73R-011025 EXT 02	73R-011025 EXT01	73R-011027 EXT 01



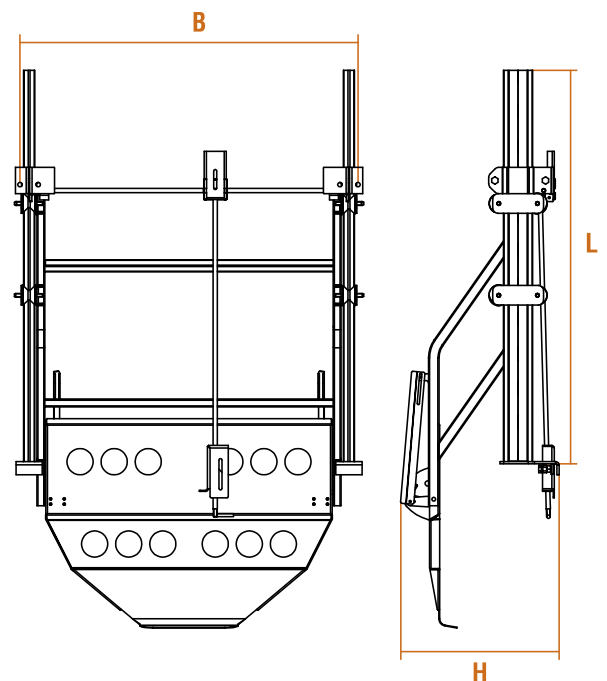
# WHEEL CARRIERS





# WHEEL EASY WHEEL CARRIER

Wheel Easy Wheel Carrier - Stainless Steel - Pull-out Wheel Holder - Fitted Rollers and Gas Springs for easy operation - Spring Locks and Top Blocking System for Anti-Theft and Accident Prevention



Code	Dimensions mm			Weight kg
	L	B	H	
TK3540	1500	1289	604	89

# FIXED SINGLE WHEEL CARRIER

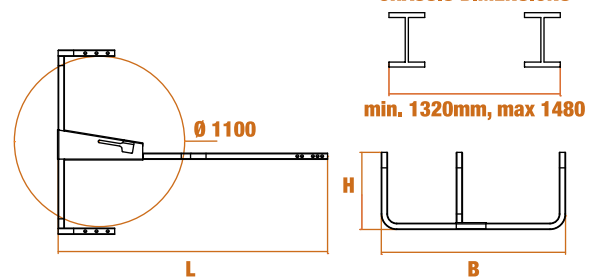
Single Fixed Wheel Carrier - Zinc-Nickel coating



Shown with Wheel and Fixing Pin



### CHASSIS DIMENSIONS



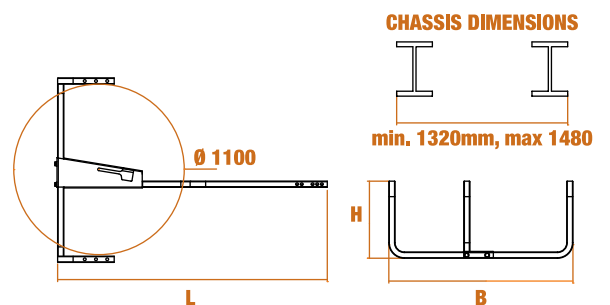
Code	Dimensions mm			Weight kg
	L	B	H	
TK3510	1740	1190	498	17.48

# DISASSEMBLED SINGLE FIXED WHEEL CARRIER

Single Wheel disassembled carrier - Zinc-Nickel coating



Code	Dimensions mm			Weight kg
	L	B	H	
TK3520	1740	1190	498	17.48



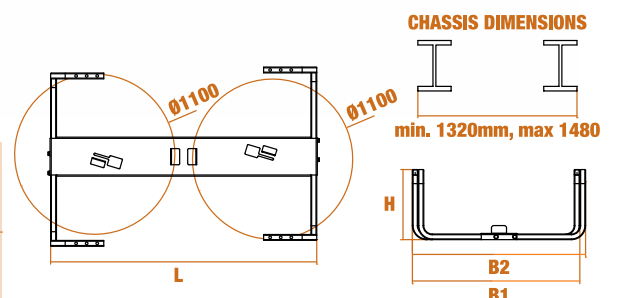
# DISASSEMBLED DOUBLE FIXED WHEEL CARRIER

Double Wheel disassembled carrier - Zinc-Nickel coating



Shown with Wheels and Fixing Pins

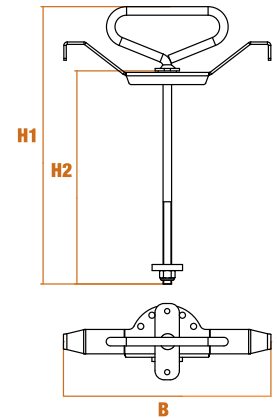
Code	Dimensions mm			Weight kg
	L	B	H	
TK3530	1836	1190	498	17.48





## SUPPORT FOR FIXED WHEEL 255H

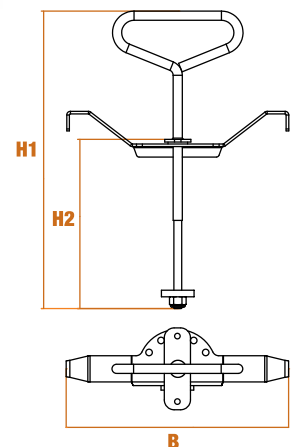
Black Zinc Plated support - Fits 255H Wheel



Code	Dimensions mm			Weight kg
	B	H1	H2	
TK3550	340	455	350	2.043

## SUPPORT FOR FIXED WHEEL 350H

Black Zinc Plated support - Fits 350H Wheel



Code	Dimensions mm			Weight kg
	B	H1	H2	
TK3555	340	455	255	2.02


# LIGHTBARS & BUFFERS

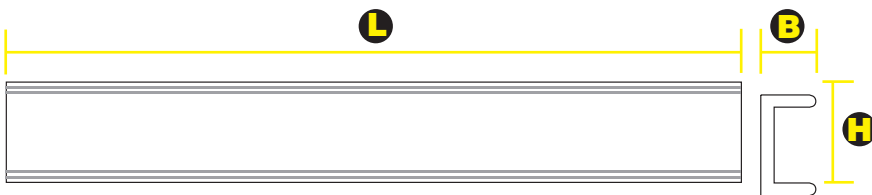


E11 58R-027810

# ALUMINIUM LIGHTBAR

Aluminium Lightbars

 E8 58R-027810

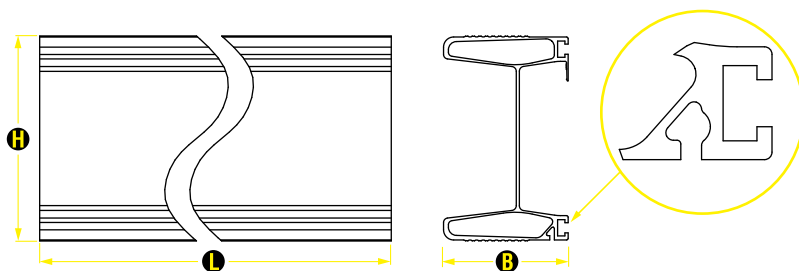


Code	Dimensions mm			Weight kg
	B	H	L	
TK7820	116	270	2406	16.90

# ALUMINIUM LIGHTBAR

Aluminium Lightbars

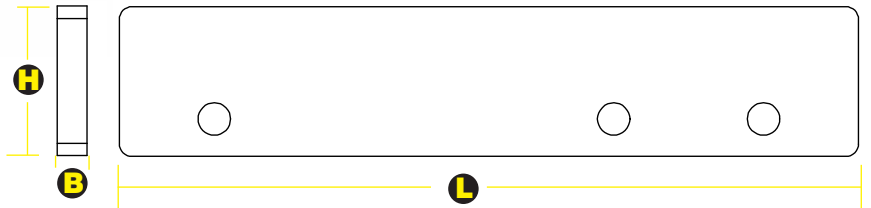
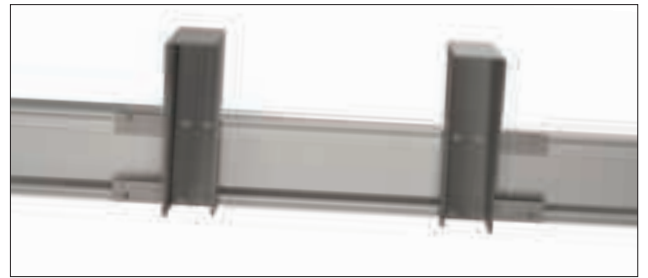
 E8 58R-027810



Code	Dimensions mm			Weight kg
	B	H	L	
TK7830	154	250	2400	23.5

# STAINLESS STEEL REINFORCING PLATE

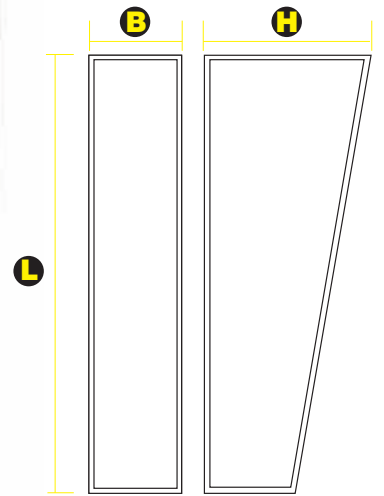
Stainless Steel Reinforcing Plate for Aluminium Lightbars



Code	Dimensions mm			Weight kg
	L	B	H	
TK7895	296	12	60	1.6

# STEEL BRACKETS

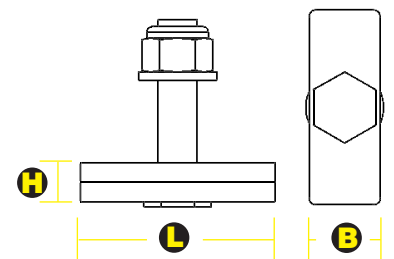
Steel Brackets for Aluminium Lightbars



Code	Dimensions mm			Weight kg
	L	B	H	
TK7880	502	128	300	39.7

# FIXING INSERT FOR ALUMINIUM LIGHTBARS

Fixing Insert for slot insertion into Aluminium Lightbars

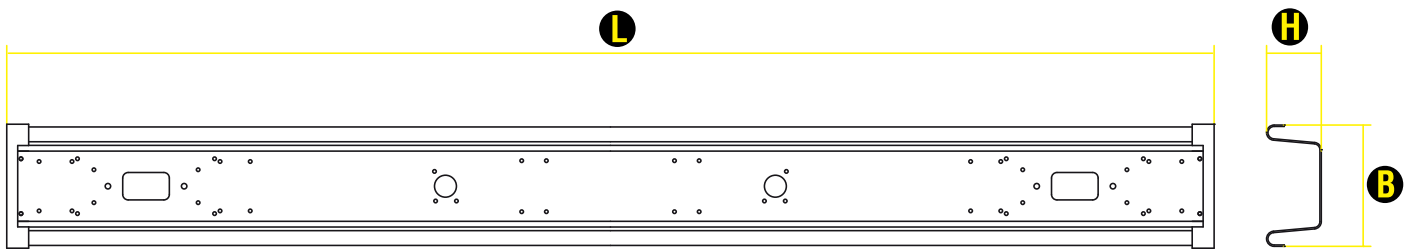


Code	Dimensions mm			Weight kg
	L	B	H	
TK7890	60	22	12	0.12



# GREY LIGHTBAR

## Steel Lightbars



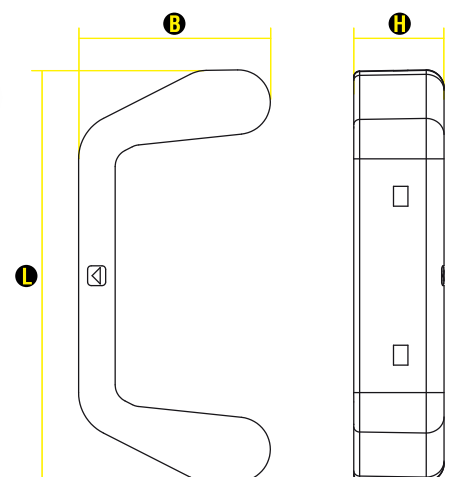
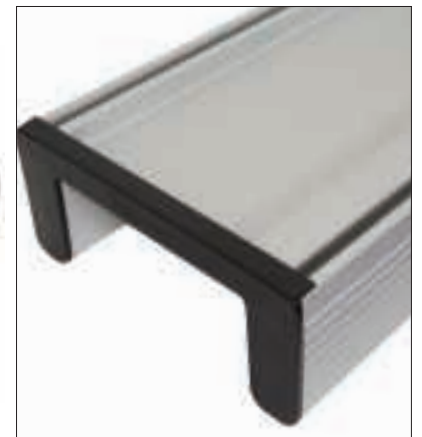
Code	Dimensions mm			Weight kg
	B	H	L	
TK7510	220	105	1800	11.00
TK7515	220	105	1900	12.00
TK7520	220	105	2000	12.50
TK7525	220	105	2100	13.00
TK7530	220	105	2200	14.00
TK7535	220	105	2300	14.70
TK7540	220	105	2400	15.35
TK7545*	220	105	2400	15.35

\* Lateral plate



# PLASTIC HEADERS

## Plastic Headers for Lightbars



Code	Dimensions mm			Weight kg
	L	B	H	
TK9445	227	106	50	0.13
TK9450	227	106	50	0.13
TK9460	227	106	50	0.13

## HEAVY DUTY BUFFERS

Heavy Duty Buffers



Code	Hole Centres	Dimensions mm	Weight kg
HDB1016	200mm	365 x 101 x 115	3.45kg
HDB1075	110mm	247 x 80 x 90	1.75kg
HDB1085	85mm	195 x 80 x 90	1.03kg

## SOLID BLOCK BUFFERS

Solid Block Buffers



Code	Hole Centres	Dimensions mm	Weight kg
CBRUBF622	75mm	150 x 50 x 50	0.41kg
CBRUBF822	115mm	200 x 50 x 50	0.64kg

## FULL WIDTH D-SHAPE BUFFERS

D Buffers

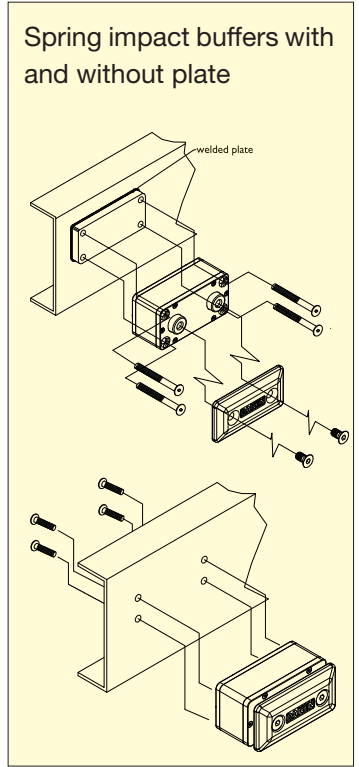
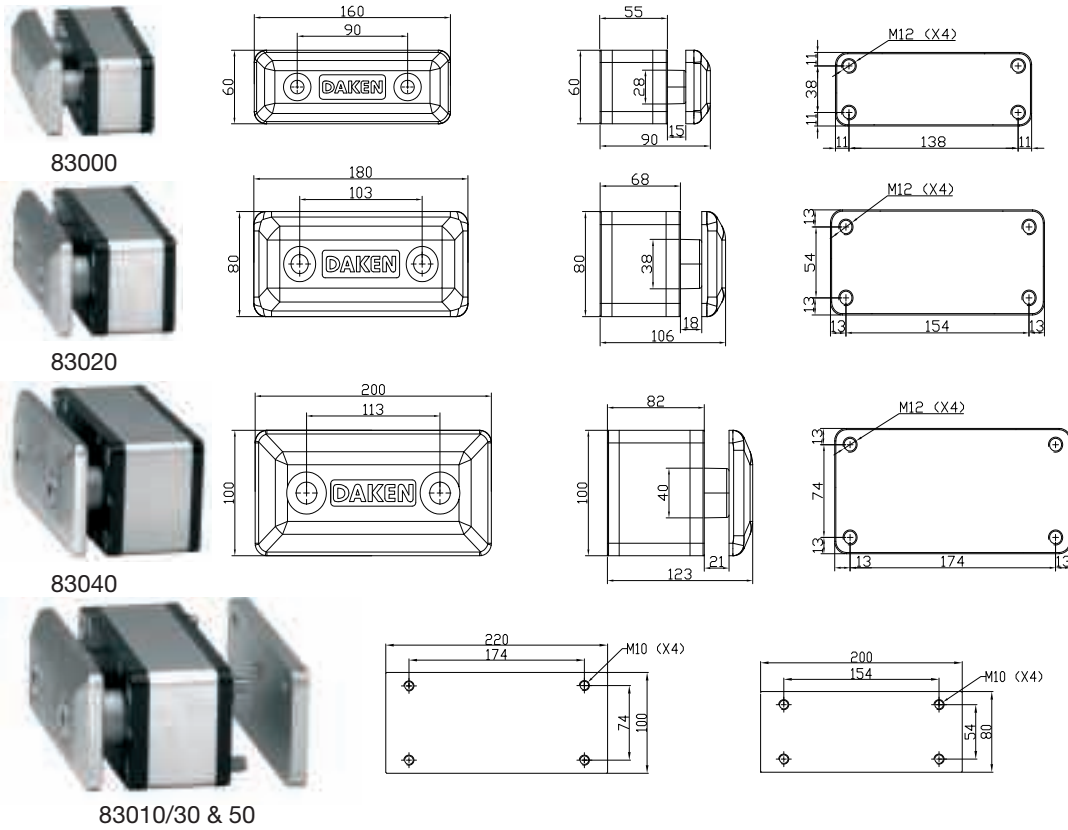


Code	Hole Centres	Dimensions mm	Weight kg
CBRUBF622	75mm	150 x 50 x 50	0.41kg
CBRUBF822	115mm	200 x 50 x 50	0.64kg

Note: Supplied without holes in the rubber so you can fix at the intervals that suit your application.  
Black Synthetic rubber and full D shape to width

# SPRING LOADED BUFFERS

## DShape and Spring loaded Buffers

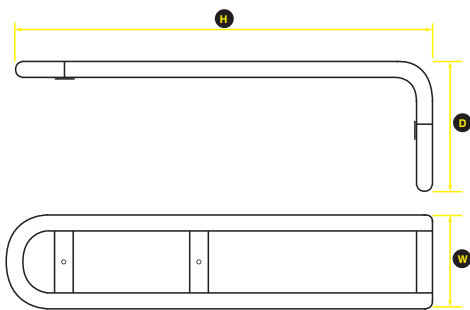


Code	SPRING IMPACT BUFFERS			Weight kg
	L	B	H	
83000	160	60	90	1.9kg
83020	180	80	106	3.0kg
83040	200	100	123	4.3kg

Code	SPRING IMPACT BUFFERS WITH PLATE			Weight kg	
	L	B	H		Plate Dimensions mm L B H
83010	180	60	105	180 x 60 x 15	2.9kg
83030	200	80	115	200 x 80 x 15	4.4kg
83050	220	100	135	220 x 100 x 15	6.9kg

# CORNER PROTECTOR

Top Corner Protector in Stainless Steel 22m x 16 Swg tube, to protect from tree branches. Also available in customised sizes.



Code	Hole Centres	Dimensions mm			Weight kg
		H	D	W	
VH001	75mm	610	207	160	1.20kg

# LOAD BONDING TRACK



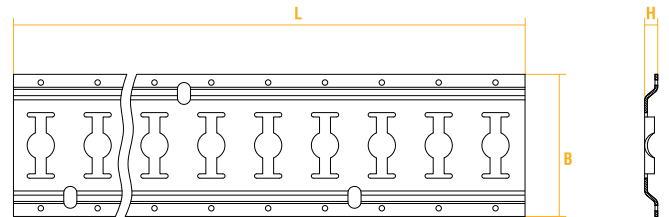


# LOAD BONDING TRACK

Load Bonding Track Zinc Plated finish

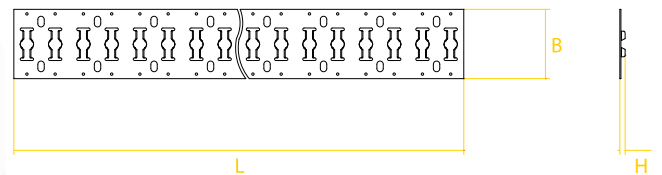


Code	Dimensions mm			Weight kg
	L	B	H	
TK4050	2964	131	12	5.50



# LOAD BONDING TRACK FLAT

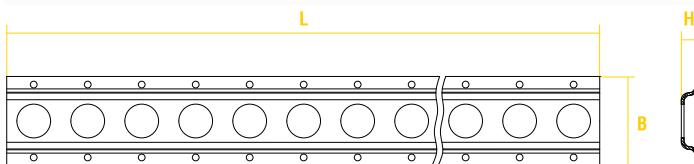
Load Bonding Track Flat in Zinc Plated and Stainless Steel



Code	Finish	Dimensions mm			Weight kg
		L	B	H	
TK4060	Zinc	2964	130	10.5	8.80
TK4080	SS	2964	130	10.5	5.10

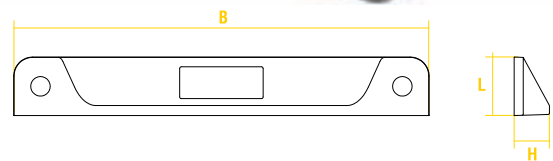
# LOAD BONDING TRACK FLAT

Load Bonding Track Flat Zinc Plated



Code	Dimensions mm			Weight kg
	L	B	H	
TK4010	2988	65	12	3.00

# LOAD BONDING TRACK CAP



Code	Dimensions mm			Weight kg
	L	B	H	
TK4090	19	132	11	0.01

# ACCESS LADDERS

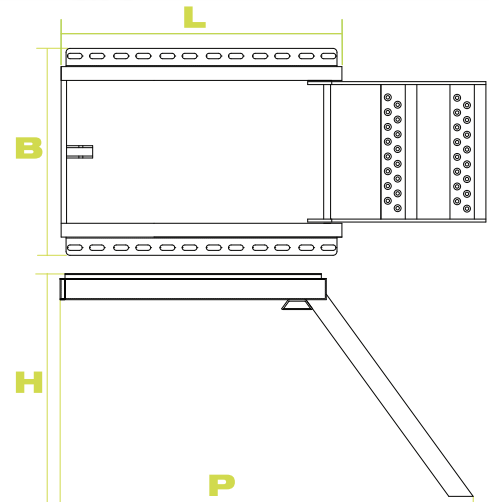


# PULLOUT LADDER

Pullout ladders with multipoint fixing

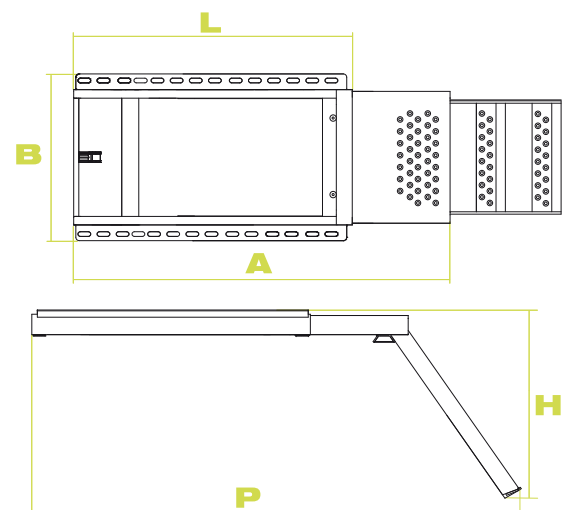


Code	Dimensions mm				Steps	Weight kg
	L	P	B	H		
<b>ZINC PLATED</b>						
TK8610	400	600	420	310	1	4.3
TK8615	570	850	420	460	2	6.0
TK8620	660	1000	420	530	2	6.5
TK8625	750	1120	420	600	3	7.45
<b>STAINLESS STEEL</b>						
TK8630	400	600	430	310	1	4.7
TK8635	570	850	430	460	2	6.4
TK8640	660	1000	420	530	2	7.2
TK8645	750	1120	430	600	3	8.55
<b>HOT GALVANISED</b>						
TK8650	400	600	420	310	1	4.55
TK8655	570	850	420	460	2	6.3
TK8660	660	1000	420	530	2	6.9
TK8665	750	1120	420	600	3	7.9



# PULLOUT LADDER WITH PLATFORM

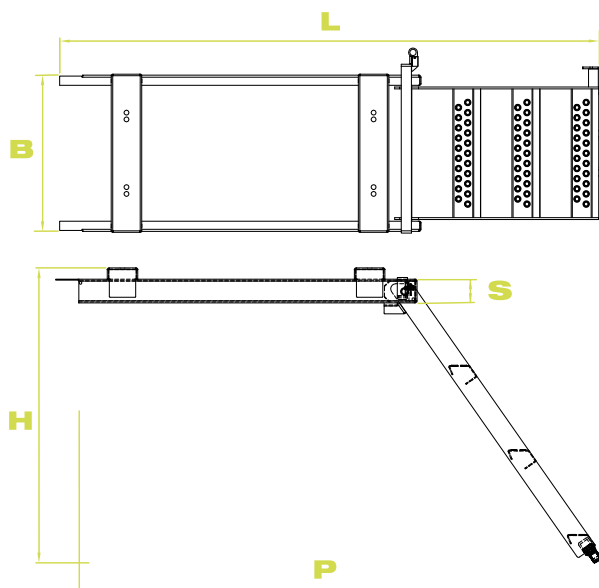
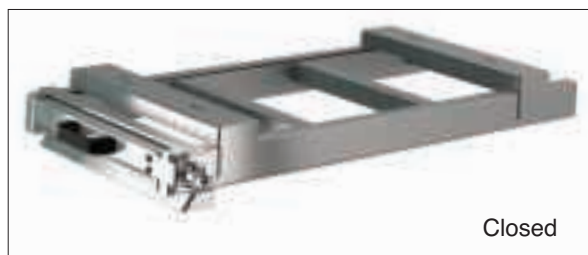
Pullout ladder with multipoint fixing - Platform



Code	Dimensions mm					Steps	Weight kg
	L	P	B	H	A		
<b>HOT GALVANISED</b>							
TK8250	392	754	420	322	550	1	6.90
TK8255	562	1105	420	460	800	2	9.36
TK8260	652	1236	420	531	880	2	10.70
TK8265	742	1366	420	602	960	3	12.09

# PULLOUT LADDER WITH FIXING BARS NO PLATFORM

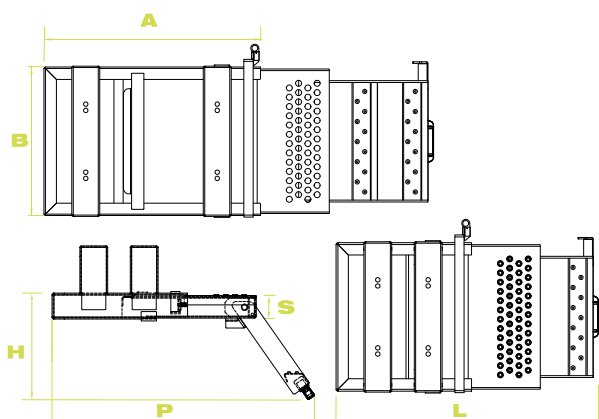
Pullout ladders without platform - Fixing bars - Hot Galvanised



Code	Dimensions mm					Steps	Weight kg
	L	B	H	P	S		
TK8510	510	461.5	413	753	70.4	1	14.7
TK8515	760	461.5	571	114.3	70.4	2	22.2
TK8525	1067	461.5	855	1525	70.4	3	23

# PULLOUT LADDER WITH PLATFORM & FIXING BARS

Pullout ladder - Platform - Pull Handle - Fixing bars - Hot Galvanised



Code	Dimensions mm						Steps	Weight kg
	L	B	A	H	P	S		
TK8550	438	480	660	336	849.4	84	1	22
TK8555	700	480	922	530	1259	84	2	31.5
TK8565	985	480	1207	771	1681.5	84	3	35.95

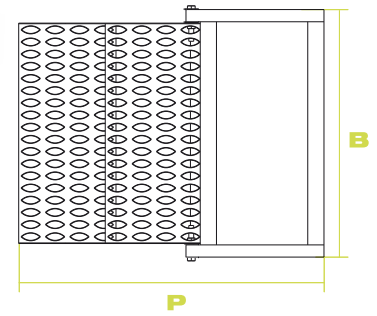


## FOLDING WITH 2 WIDE STEPS

Folding Step in Hot Galvanised and Zinc Plated



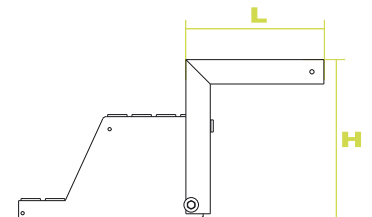
Closed



TK9010 Galvanised

TK9015 Zinc Plated

Code	Finish	Dimensions mm				Weight kg
		L	P	B	H	
TK9010	Hot Galvanised	340	753	610	460	15.8
TK9015	Zinc Plated	340	753	610	460	15.5



## FOLDING WITH 3 WIDE STEPS

Folding Step in Hot Galvanised and Zinc Plated

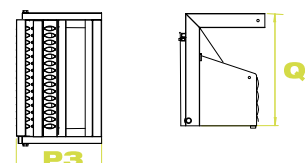
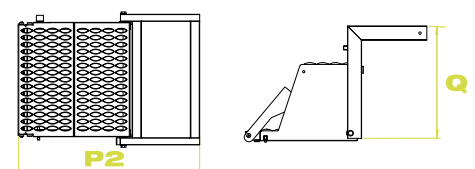
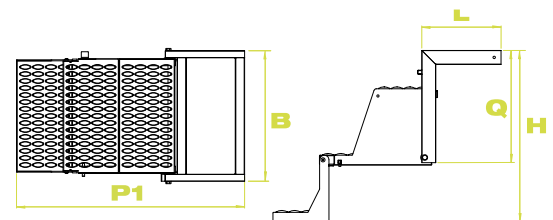


TK9050 Galvanised

TK9055 Zinc Plated



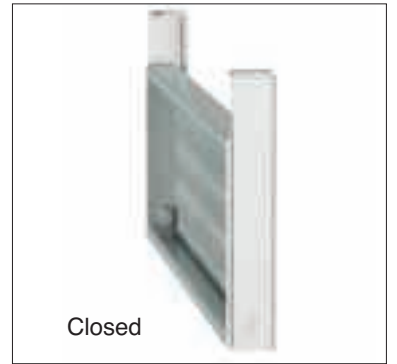
Closed



Code	Finish	Dimensions mm							Weight kg
		B	L	H	P1	P2	P3	Q	
TK9050	Hot Galvanised	560	340	734.5	978	779	350	481.5	31.9
TK9055	Zinc Plated	560	340	734.5	978	779	350	481.5	29.8

## FOLDING WITH 1 STEP

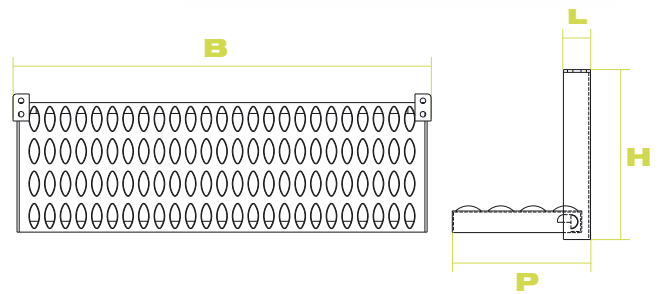
Folding Step in Hot Galvanised and Zinc Plated



TK8910 Zinc Plated

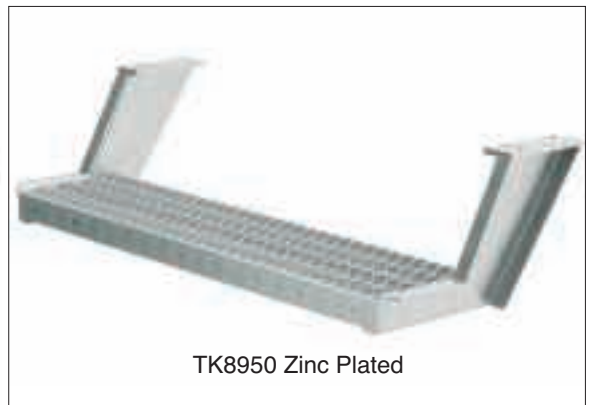
TK8910 Galvanised

Code	Finish	Dimensions mm				Weight kg
		L	P	B	H	
TK8910	Hot Galvanised	50	256	775	315	5.26
TK8915	Zinc Plated	50	256	775	315	5.16



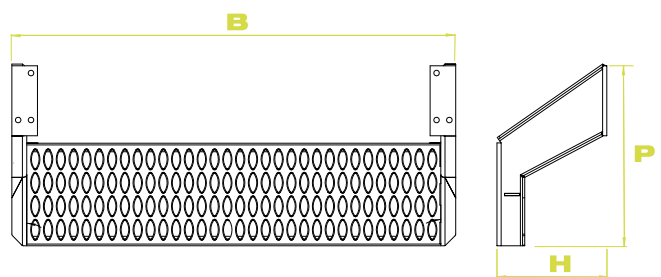
## FOLDING 1 WIDE STEP

Fixed Step in Aluminium and Zinc Plated



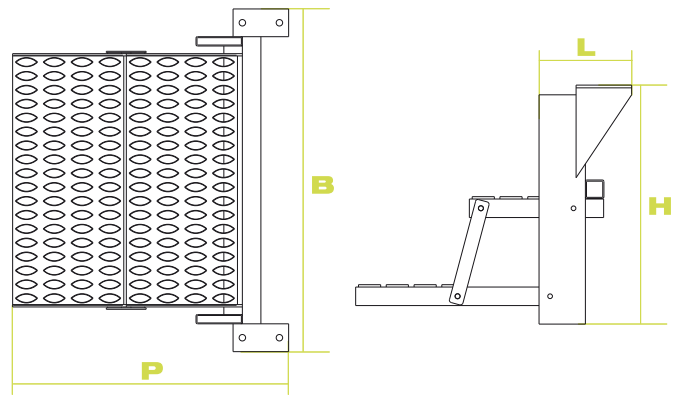
TK8960 Aluminium

Code	Finish	Dimensions mm			Weight kg
		P	B	H	
TK8950	Zinc Plated	425.6	1040	257.5	16.5
TK8960	Aluminium	425.6	1040	257.5	5.3



# SLIDING LADDER WITH 2 WIDE STEPS

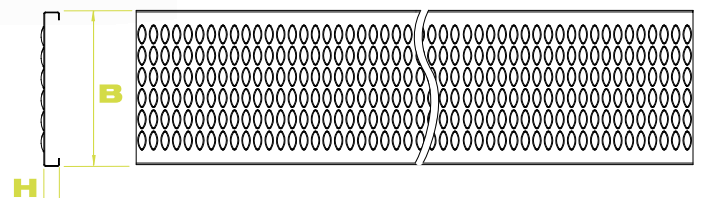
Sliding ladder - Hot Galvanised and Zinc Plated



Code	Finish	Dimensions mm				Weight kg
		L	P	B	H	
TK9210	Hot Galvanised	200	600	740	516	17.1
TK9215	Zinc Plated	200	600	740	516	16.8

# BARE FINISH STEEL CATWALK

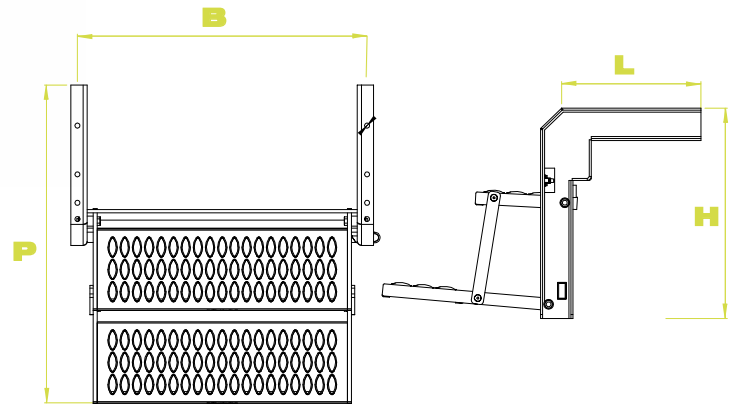
Bare Finish Steel Catwalk



Code	Dimensions mm			Weight kg
	L	B	H	
TK8810	3000	400	40	26.37

# ALUMINUM LADDER WITH WIDE STEPS

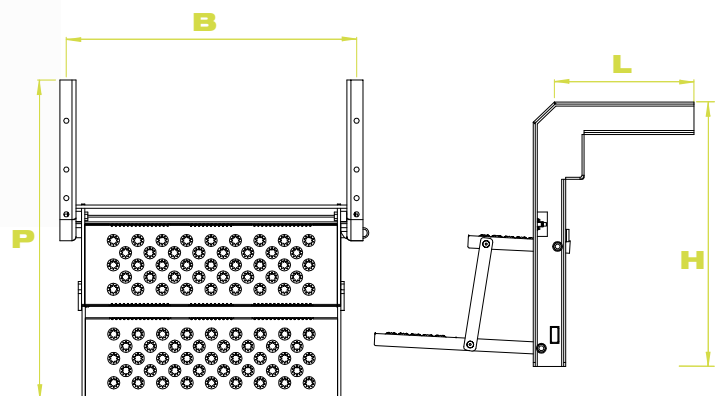
Folding ladder with Wide Steps - Aluminium



Code	Dimensions mm				Weight kg
	B	L	H	P	
TK9230	745	395	518	784	9

# SLIDING LADDER WITH 2 WIDE STEPS

Sliding ladder with 2 Wide Steps - Hot Galvanised

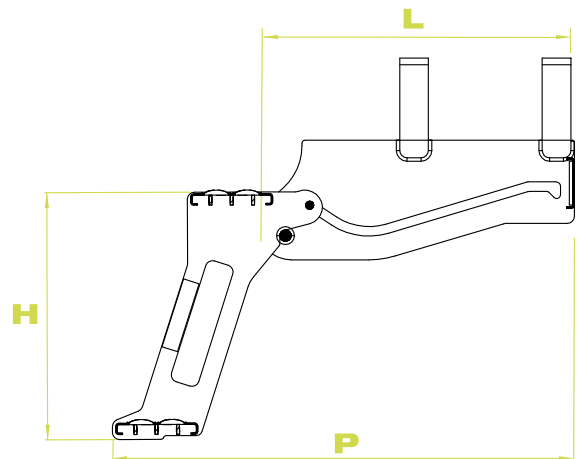
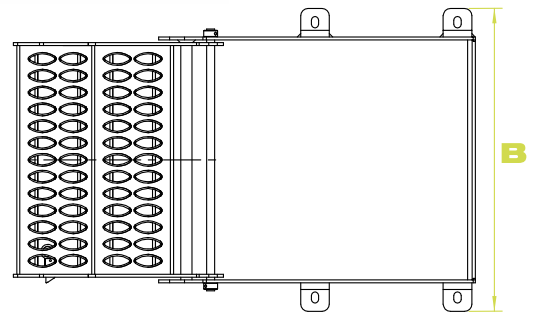
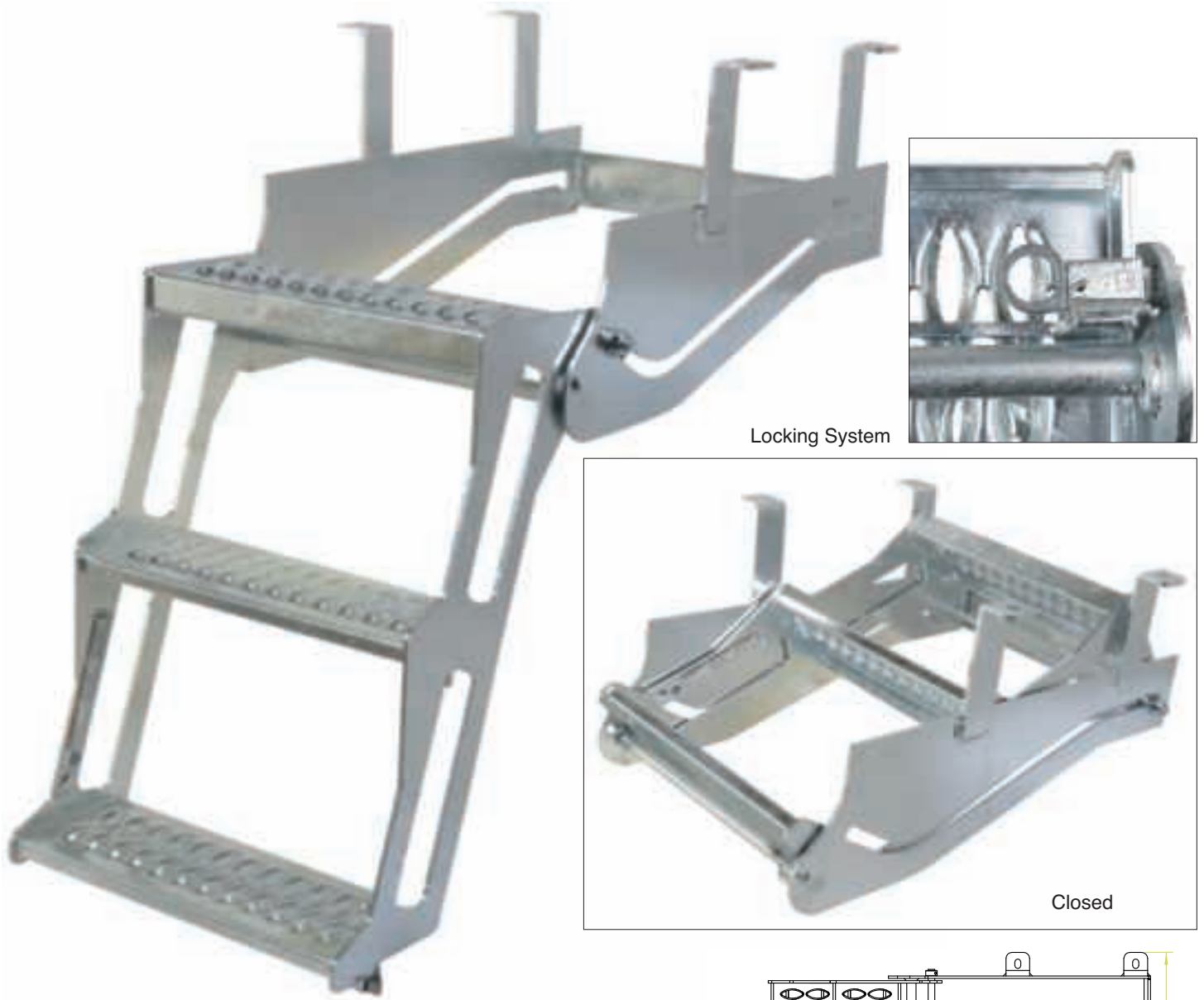


Code	Dimensions mm				Weight kg
	B	L	H	P	
TK9250	745	395	650	784	22



# SLIDE AWAY LADDER

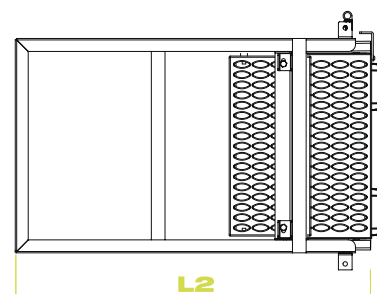
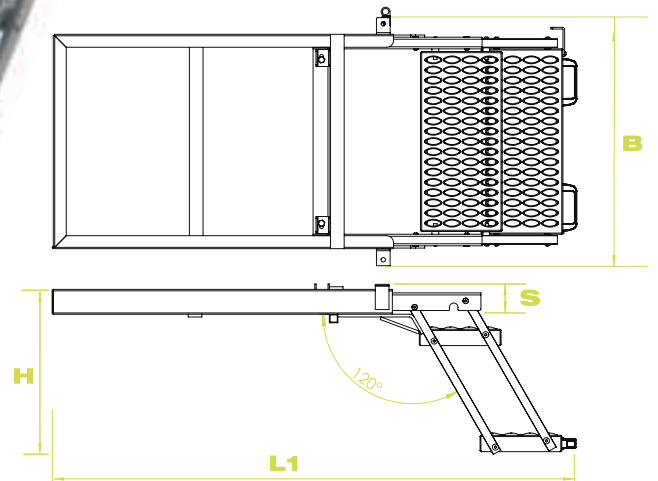
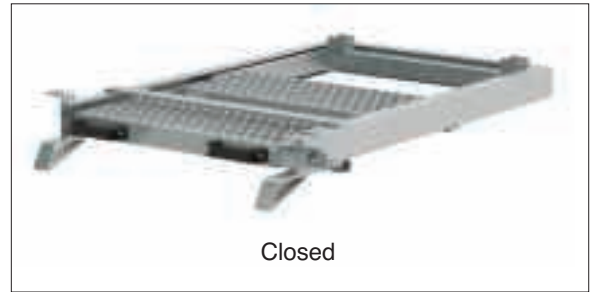
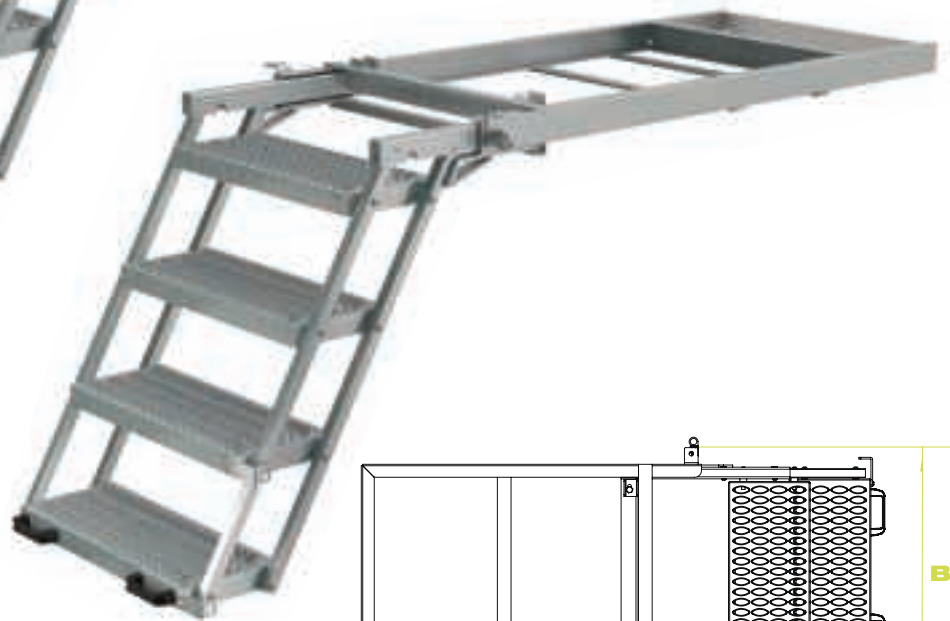
Slide Away Ladder - Hot Galvanised - Option yellow powder coated



Code	Dimensions mm				Steps	Weight kg
	L	B	H	P		
TK9003	27.56	21.26	22.95	50.31	2	50.70
TK9004	22.32	21.26	17.32	32.56	3	44.09

# PULLOUT SUSPENDED LADDER WIDE STEP WITH HANDLES

Pullout - Wide Step - Hot Galvanised

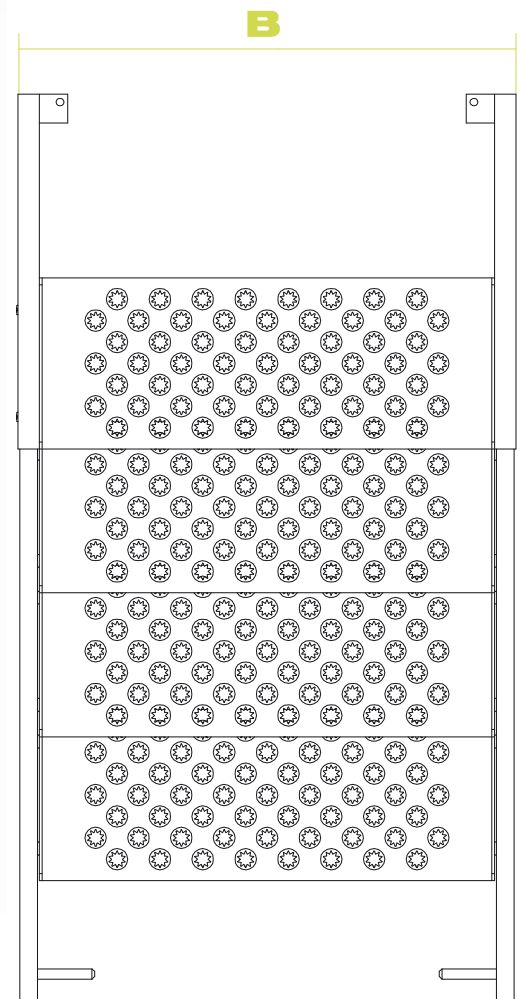
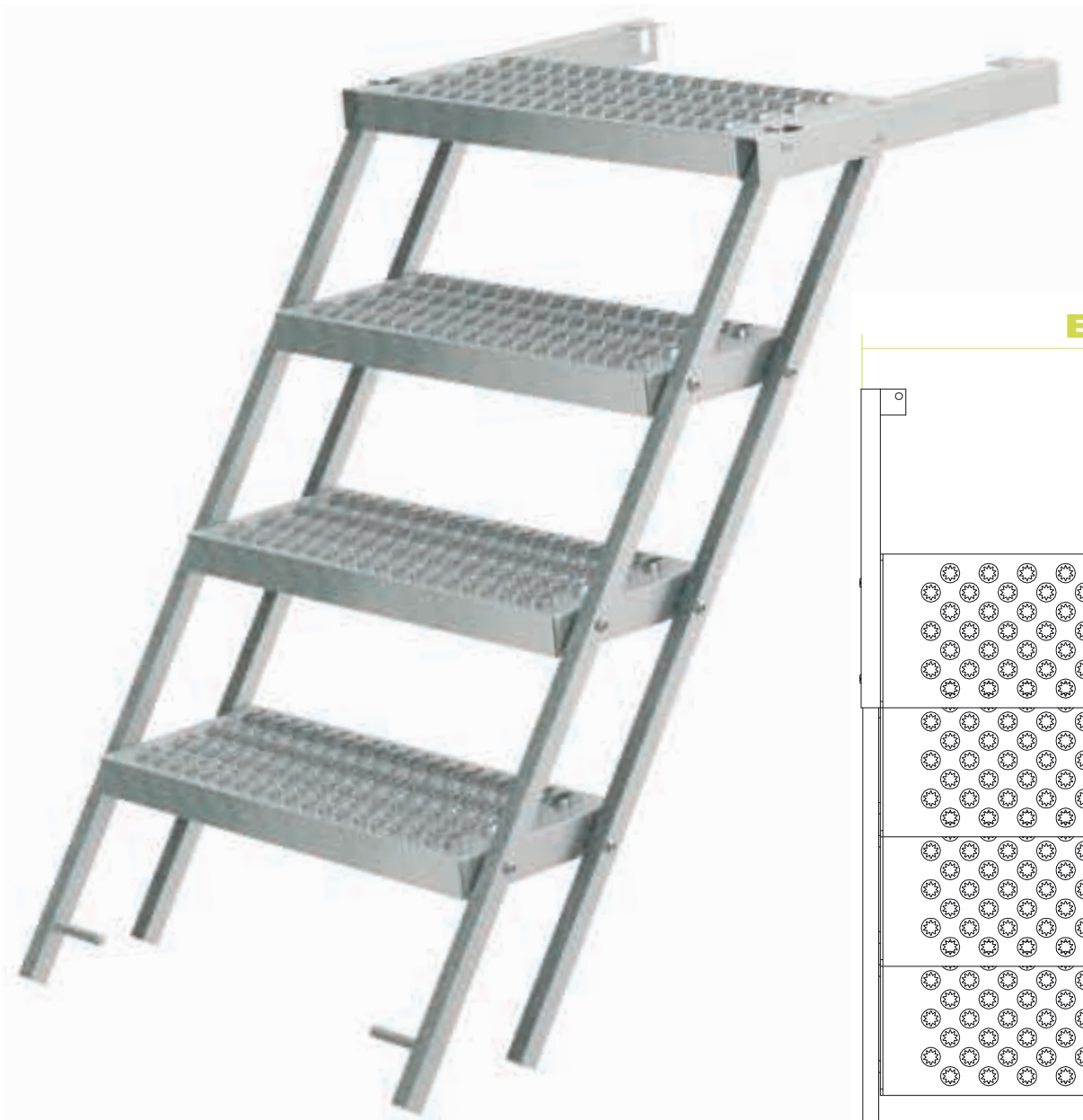


These ladders can be produced to specific widths and dimensions with galvanised steel or aluminium steps

Code	Dimensions mm					Steps	Weight kg
	B	L1	H	L2	S		
TK9102	760	1549	500	1092	73	2	22
TK9104	845	1856	680	1304	73	3	26.3
TK9106	844	2281.5	930	1587	73	4	30

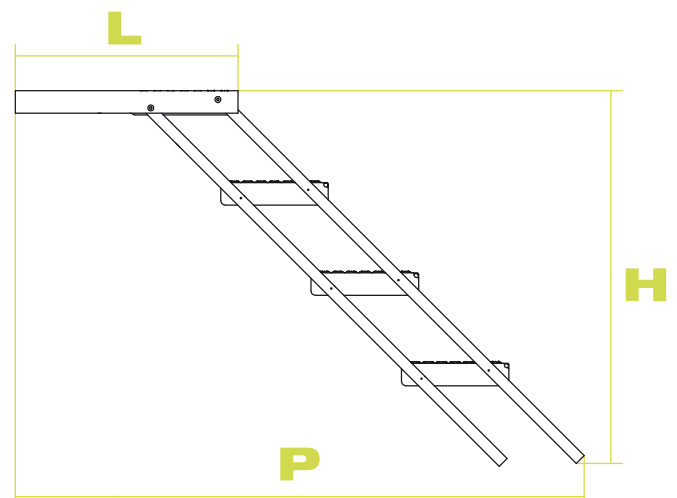
# PULL UP LADDER WITH WIDE STEPS

Pull up Access Ladder with Wide Steps - Hot Galvanised or Zinc Plated



These ladders can be produced to specific widths and dimensions with galvanised steel or aluminium steps

Code	Dimensions mm				Steps	Weight kg
	L	P	B	H		
<b>ZINC PLATED</b>						
TK9110	497	1068	706	641	3	19
TK9115	497	1270	706	844	4	24.5
TK9120	497	1470	706	1046	5	26
TK9125	497	1672	706	1248	6	36
<b>HOT GALVANISED</b>						
TK9130	497	1068	706	641	3	19
TK9135	497	1270	706	844	4	24.5
TK9140	497	1470	706	1046	5	26
TK9145	497	1672	706	1240	6	36

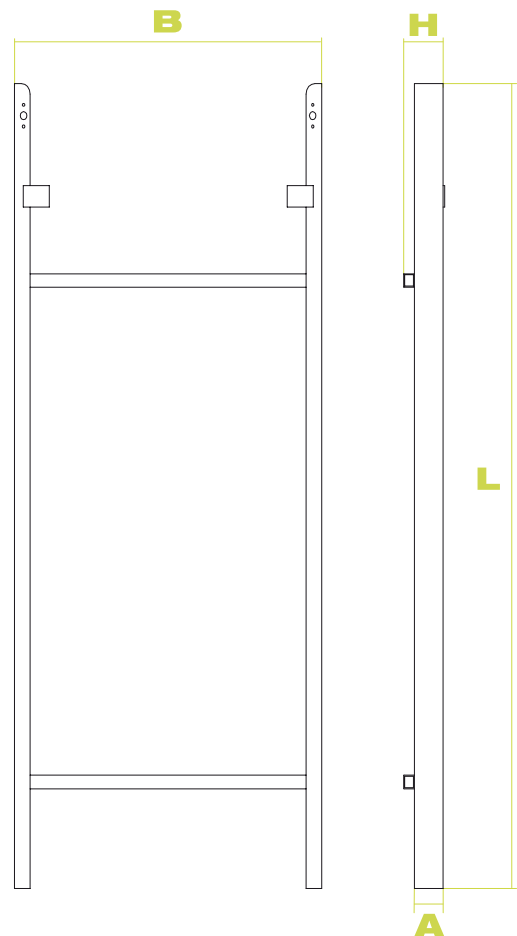


# LADDER FRAME FOR PULL UP ACCESS LADDER

Ladder Frame Pull up Access Ladder - Hot Galvanised or Zinc Plated



Fits to TK9110 - TK9145

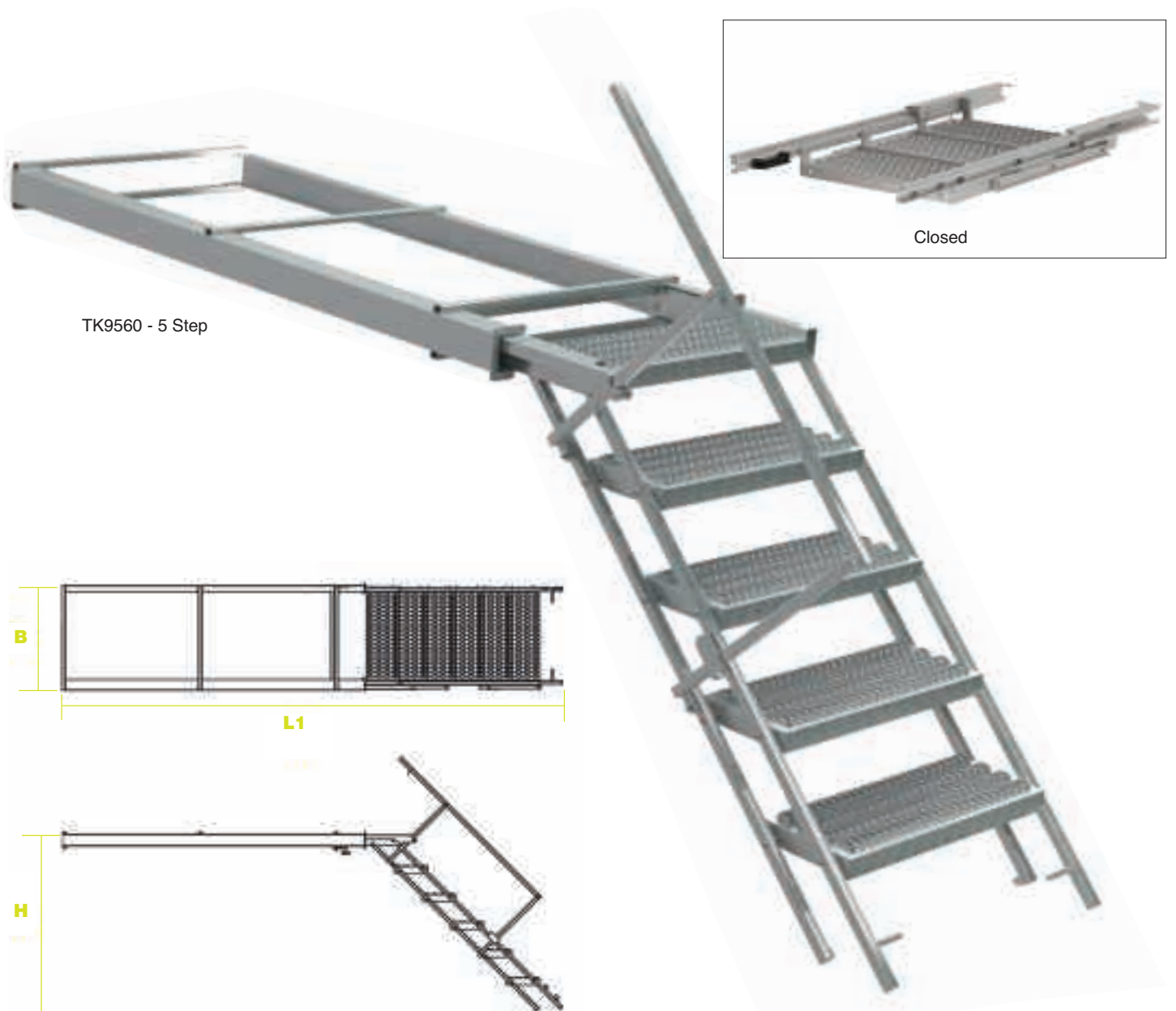


Code	Dimensions mm				Weight kg
	L	A	B	H	
<b>ZINC PLATED</b>					
TK9720	1210	66	716	100	9.56
TK9725	2065	66	716	100	14.5
<b>HOT GALVANISED</b>					
TK9710	1210	66	716	100	10.00
TK9715	2065	66	716	100	16.5

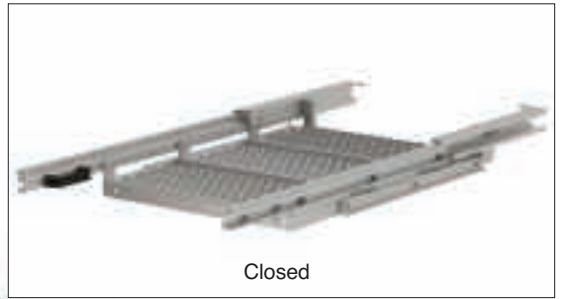


# LADDER WITH HANDRAIL

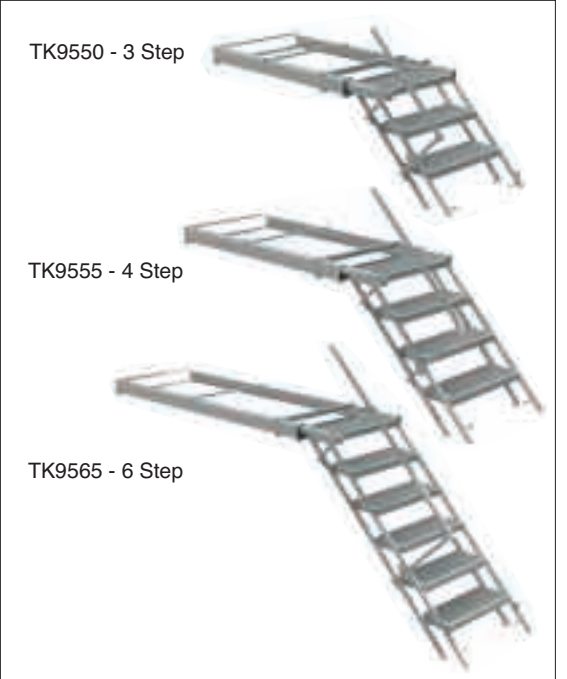
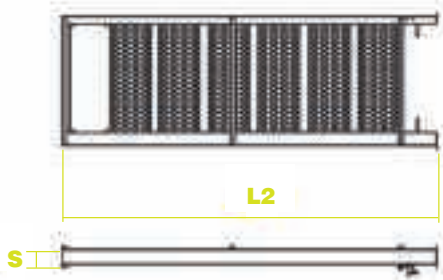
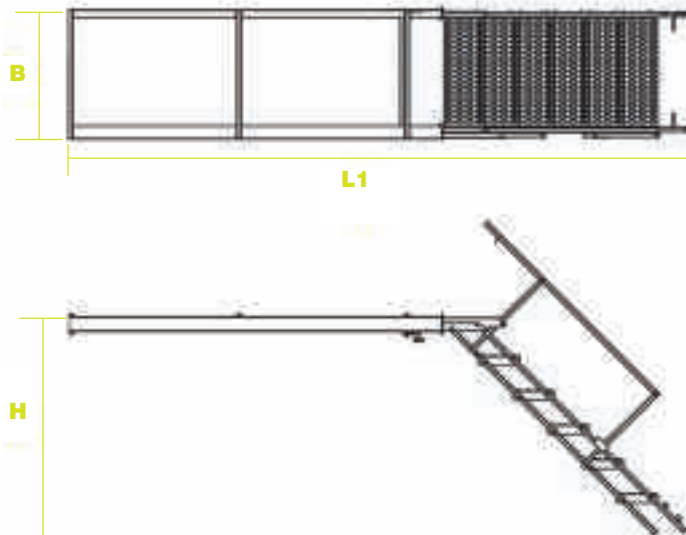
Ladder with Handrail - Hot Galvanised



TK9560 - 5 Step



Closed



TK9550 - 3 Step

TK9555 - 4 Step

TK9565 - 6 Step

Code	Dimensions mm					Steps	Weight kg
	B	L1	L2	H	S		
TK9550	757	2150	1330	689.5	122	3	41
TK9555	757	2636	1615	891	122	4	46.5
TK9560	757	3120	1900	1093	122	5	50
TK9565	757	3606	2185	1838	122	6	61.5

# PULLOUT LADDER WITH LARGE STEP

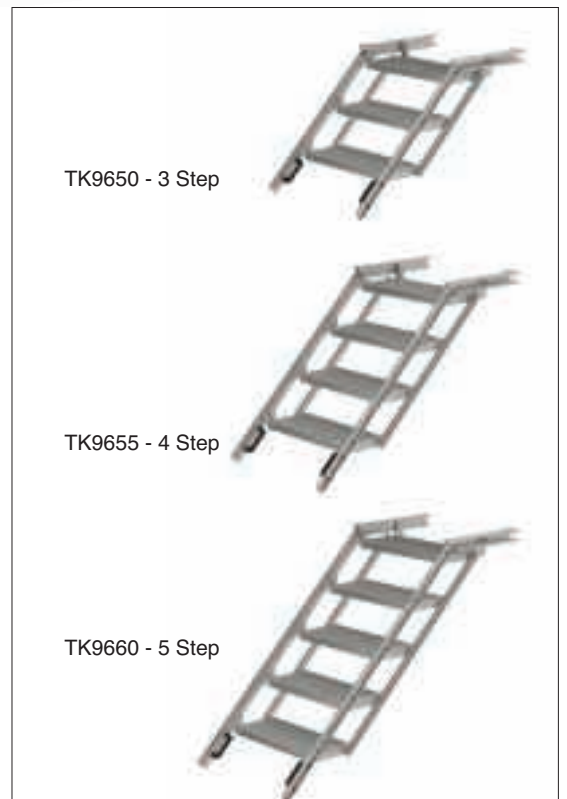
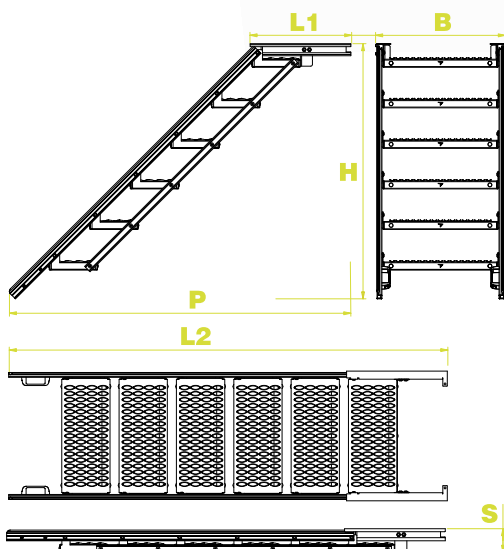
Pullout Ladder with Large Step - Aluminium



TK9665 - 6 Step



Closed



TK9650 - 3 Step

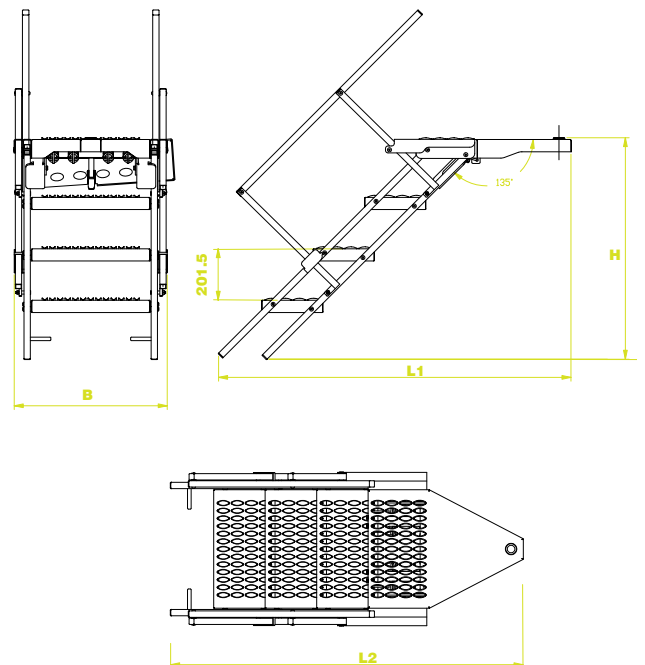
TK9655 - 4 Step

TK9660 - 5 Step

Code	Dimensions mm						Steps	Weight kg
	B	L1	H	P	L2	S		
TK9650	644.2 x 500 x 663.7						3	12
TK9655	644.2 x 500 x 864						4	15
TK9660	644.2 x 500 x 1066.9						5	18
TK9665	644.2 x 500 x 1268.1						6	20.5

# ROTATING LADDER WITH WIDER STEPS WITH HANDRAILS

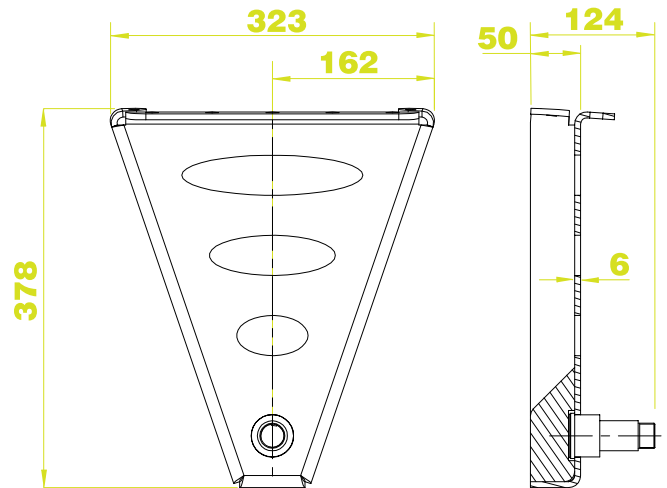
Rotating Ladder with 4 wide steps and handrails - Hot Galvanised or Stainless Steel



Code	Dimensions mm					Steps	Weight kg
	B	L1	L2	H	S		
<b>HOT GALVANISED</b>							
TK9355	600	1380	1707	866	125	4	43
TK9365	600	1564	1988	1069	125	5	50
TK9375	600	1766	2273	1271	125	6	56
<b>STAINLESS STEEL</b>							
TK9360	600	1380	1707	866	125	4	40
TK9370	600	1564	1988	1069	125	5	47.5
TK9380	600	1766	2273	1271	125	6	53

## FLATBED BRACKET FOR ROTATING LADDER

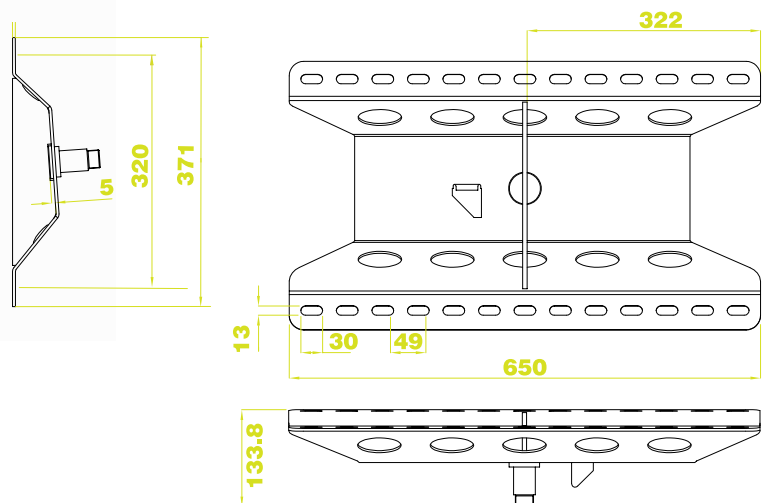
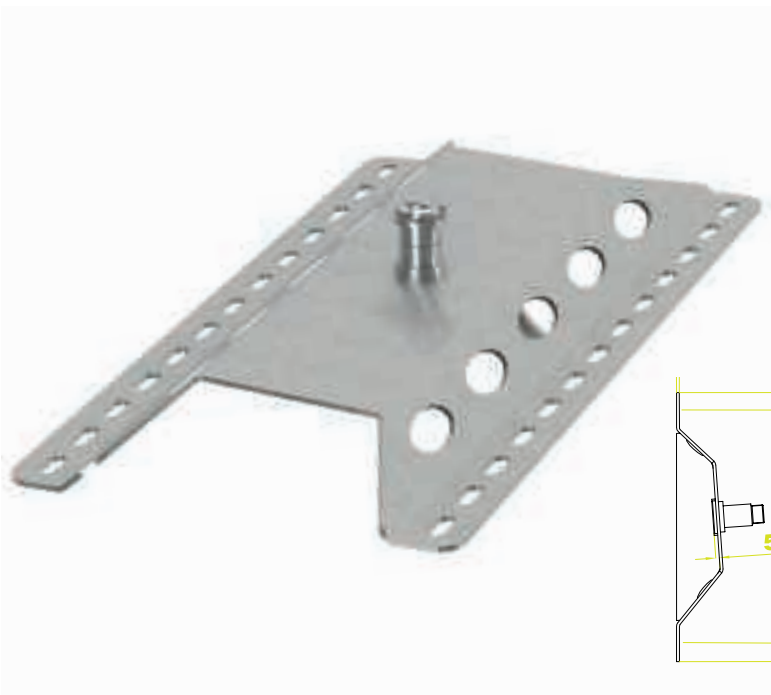
Flatbed bracket - Hot Galvanised



Code	Dimensions mm			Weight kg
	L	H	B	
TK9390	323	378	124	5.8

## CHASSIS BRACKET FOR ROTATING LADDER

Chassis bracket - Hot Galvanised

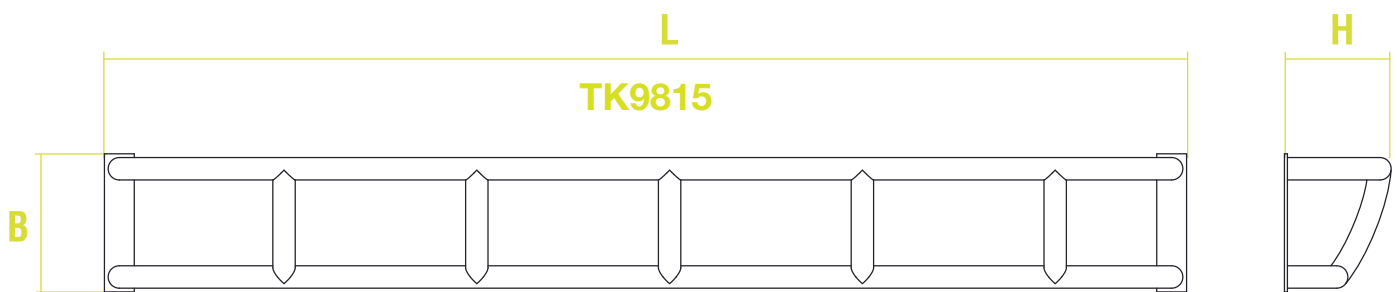
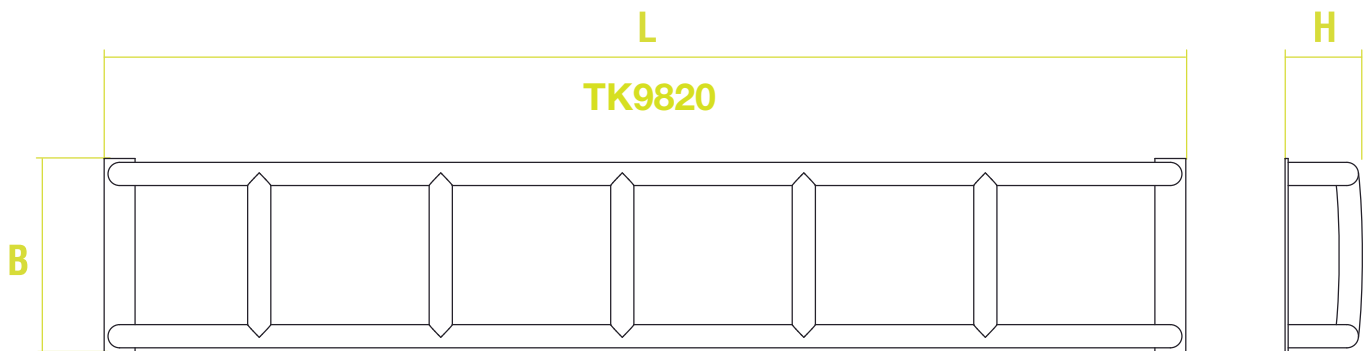


Code	Dimensions mm			Weight kg
	L	H	B	
TK9395	650	371	120	7.8




# FRIDGE INSPECTION LADDERS

Fridge Inspection ladders - Stainless Steel



Code	Dimensions mm			Weight kg
	L	B	H	
TK9820	1400	250	100	2.9
TK9815	1450	185	143	2.8

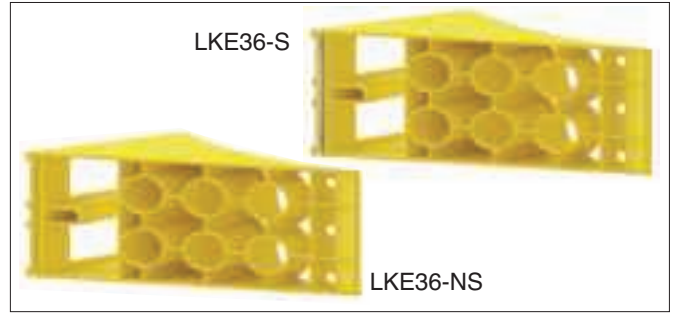
# WHEEL CHOCKS

DIN76051 

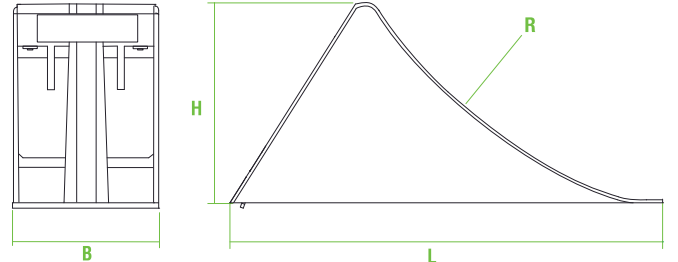



# HOMOLOGATED THERMOPLASTIC CHOCK

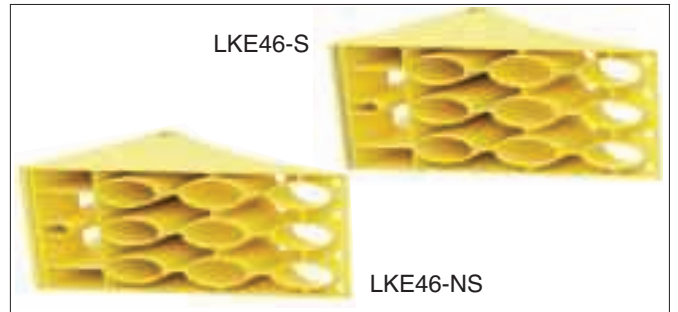
DIN76051-G36 



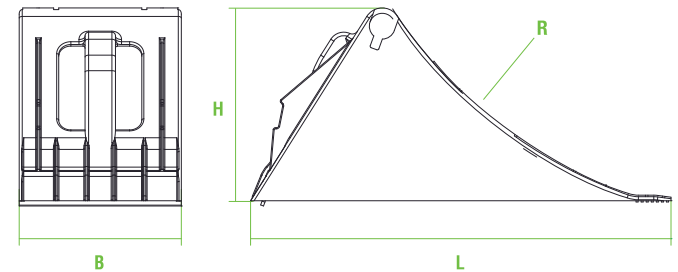
Code	Colour	Dimensions mm				Weight kg
		L	B	H	R	
LKE36-S	Yellow	332	125	150	355	0.54
LKE36-NS	Yellow	332	125	150	355	0.44




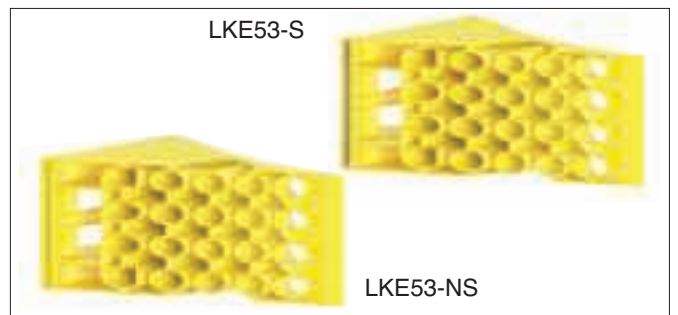
DIN76051-G46 



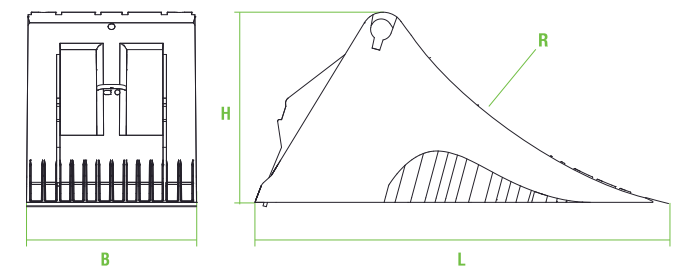
Code	Colour	Dimensions mm				Weight kg
		L	B	H	R	
LKG46-S	Yellow	383	193	160	460	0.84
LKG46-NS	Yellow	383	193	160	460	0.73



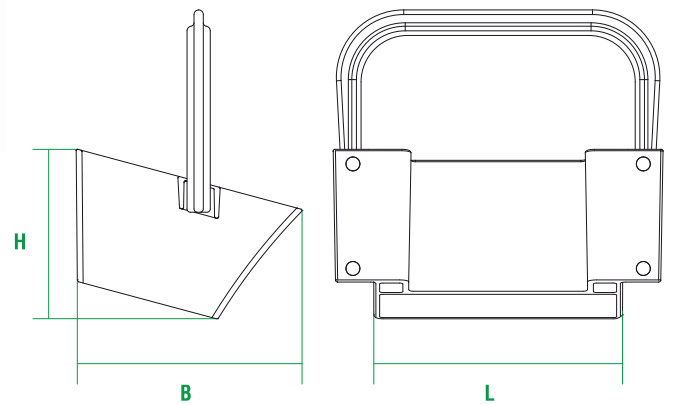
DIN76051-G53 



Code	Colour	Dimensions mm				Weight kg
		L	B	H	R	
LKE53-S	Yellow	467	225	198	555	1.40
LKE53-NS	Yellow	467	225	198	555	1.25



## PLASTIC CHOCK HOLDER

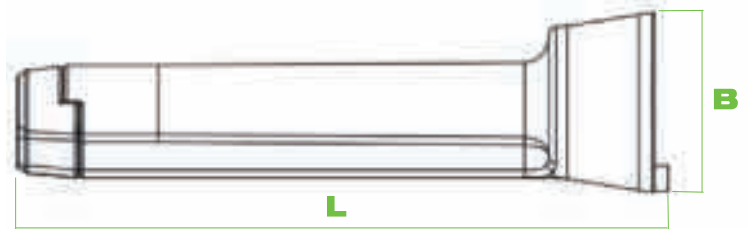


Code	Dimensions mm			Weight kg	
	L	B	H		
LKE36-HOLD	133	124	109	E36	0.17
LKG46-HOLD	184	194	128	G46	0.40
LKE53-HOLD	213	183	137	E53	0.40

## PLASTIC FIXING SUPPORT FOR WHEEL CHOCKS G46 & E53

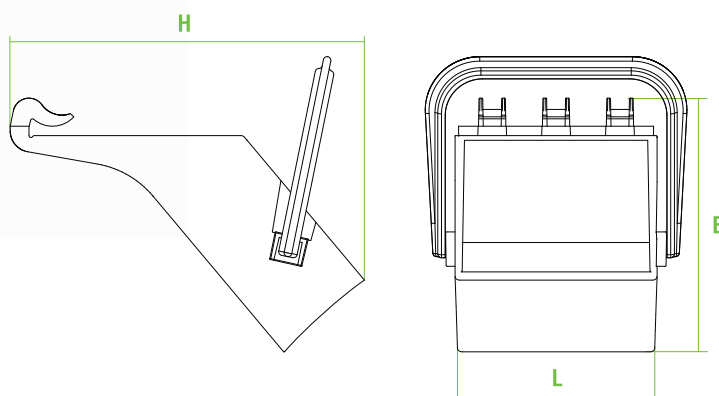


Code	Dimensions mm		Weight kg
	L	B	
LKG46HOLD-PP	215	55	G46 0.16
LKE53HOLD-PP	258	55	E53 0.18



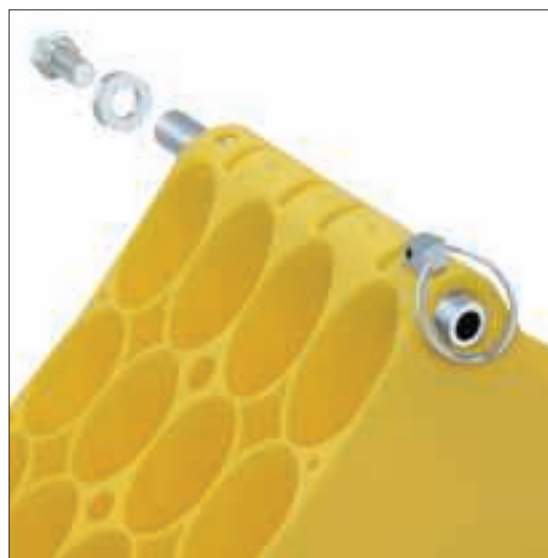


# PLASTIC CHOCK E53 HOLDER 130° RAPID CHASSIS-FITTING



Code	Dimensions mm			Weight kg
	L	B	H	
LKE53HOLD-130	235	200	260	1.24

# ZINC PLATED FIXING SUPPORT WITH SCREW FOR PLASTIC CHOCK



Code	Dimensions mm		Weight kg	
	L	∅	E53	
LKE53HOLD-ZP	250	21	E53	0.42



# MUDGUARDS





# FAST FIT PLASTIC MUDGUARDS WITH WHITE LINE

Mudguards, Mudflaps, Valances and Fittings

DK4175



DK4180  
DK4190



DK4185

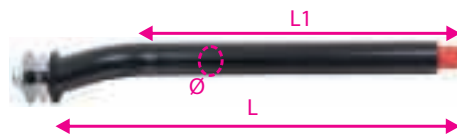


DK41 White Line			
Code	Dimensions mm		
	B	L	S
DK4175	460	1900	1300
DK4180	450	2125	1365
DK4185	450	2125	1365
DK4190	690	2125	1365

# TUBE STAYS FAST FIT PLASTIC MUDGUARDS



BLACK POWDER COATED FAST-FIT STRAIGHT TUBE		
Code	Dimensions mm	
	L	Ø
DK8050	505	42
DK8051	700	42



BLACK POWDER COATED WITH WELDED SCREW CURVED TUBE		
Code	Dimensions mm	
	L	Ø
DK8056	505	42
DK8057	700	42



BLACK POWDER COATED WITH SCREW STRAIGHT TUBE		
Code	Dimensions mm	
	L	Ø
DK8052	505	42
DK8053	700	42

BLACK POWDER COATED CURVED FAST FIT TUBE			
Code	Dimensions mm		
	L	L1	Ø
DK8058	510	390	42



# PLASTIC MUDGUARD

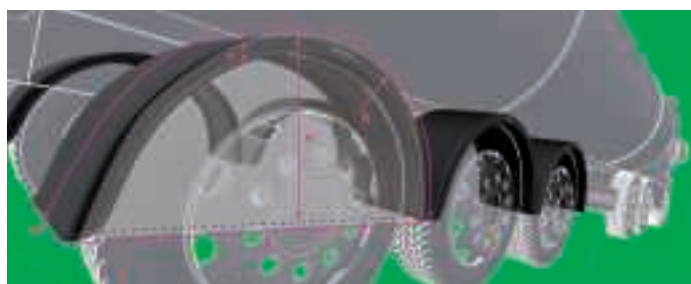
Mudguards, Mudflaps, Valances and Fittings



Code	Dimensions mm					
	B	L	R	S	H	V
DK1510	270	1300	420	840	410	60
DK1515	410	1350	430	860	430	60
DK1520	450	1350	430	860	430	60
DK1530	500	1620	500	1000	520	60
DK1535	500	1700	550	1100	540	75
DK1540	550	1700	550	1100	540	75
DK1545	550	1780	560	1120	570	60

Code	Dimensions mm					
	B	L	R	S	H	V
DK1550	550	1900	630	1280	600	75
DK1555	600	1700	550	1100	540	75
DK1560	600	1840	580	1160	590	60
DK1565	600	1900	630	1280	600	75
DK1570	650	1900	630	1280	600	75
DK1575	430	1900	650	1300	580	75
DK1580	430	2125	650	1300	690	75
DK1585	670	2125	670	1340	680	75

# PLASTIC MUDGUARD WITH WHITE LINE



Code	Dimensions mm					
	B	L	R	S	H	V
DK1615	410	1350	430	860	430	60
DK1620	450	1350	430	860	430	60
DK1635	500	1700	550	1100	540	75
DK1640	550	1700	550	1100	540	75
DK1650	550	1900	630	1280	600	75
DK1655	600	1700	550	1100	540	75

Code	Dimensions mm					
	B	L	R	S	H	V
DK1665	600	1900	630	1280	600	75
DK1670	650	1900	630	1280	600	75
DK1675	430	1900	650	1300	580	75
DK1680	430	2125	650	1300	690	75
DK1685	670	2125	670	1340	680	75



# PLASTIC MUDGUARD WITH ADJUSTABLE SUPPORTS

Mudguards, Mudflaps, Valances and Fittings

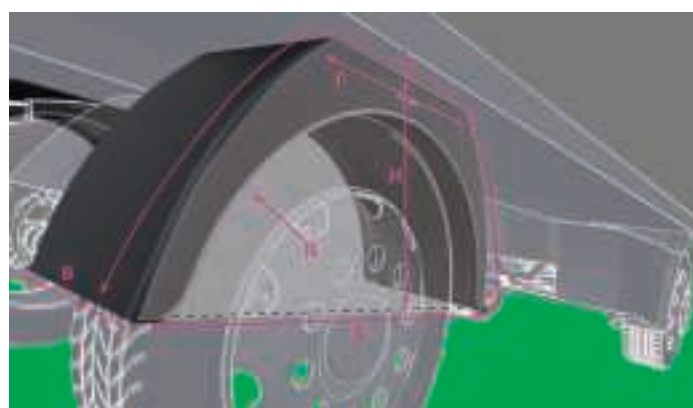


Code	Dimensions mm						Support Dimensions mm		
	B	L	R	S	H	V	C	Z	Ø
DK2575	430	1900	650	1300	580	75	210	500	42
DK2580	430	2125	650	1300	690	75	210	570	42
DK2585	670	2125	670	1340	680	75	450	570	42

Code White Line	Dimensions mm						Support Dimensions mm		
	B	L	R	S	H	V	C	Z	Ø
DK2675	430	1900	650	1300	580	75	210	500	42
DK2680	430	2125	650	1300	690	75	210	570	42
DK2685	670	2125	670	1340	680	75	450	570	42



# PLASTIC FLAT - TOPPED MUDGUARD WITH WHITE LINE



Code	Dimensions mm					
	B	L	R	S	H	F
DK3110	260	1450	380	880	450	400
DK3115	450	1480	400	920	460	400
DK3120	510	1770	430	1000	550	510
DK3125*	550	1930	512	1150	570	650

\* DK3125 is only available with a Black line

# PLASTIC HALF WING MUDGUARD

Mudguards, Mudflaps, Valances and Fittings



Code	Wing Dimensions mm			Support Dimensions mm		
	B	S	V	C	Z	Ø
DK1210	460	500	150	-	-	-
DK1220	460	600	150	-	-	-
DK2210	460	500	150	180	300	42

# ANTI - SPRAY SIDE VALANCE



Anti - Spray Side Valance with horizontal fitting set			Anti - Spray Side Valance with vertical fitting set		
Code	Dimensions mm		Code	Dimensions mm	
	L	H		L	H
DK5510	3700	100	DK5550	3700	100
DK5520	3700	150	DK5560	3700	150



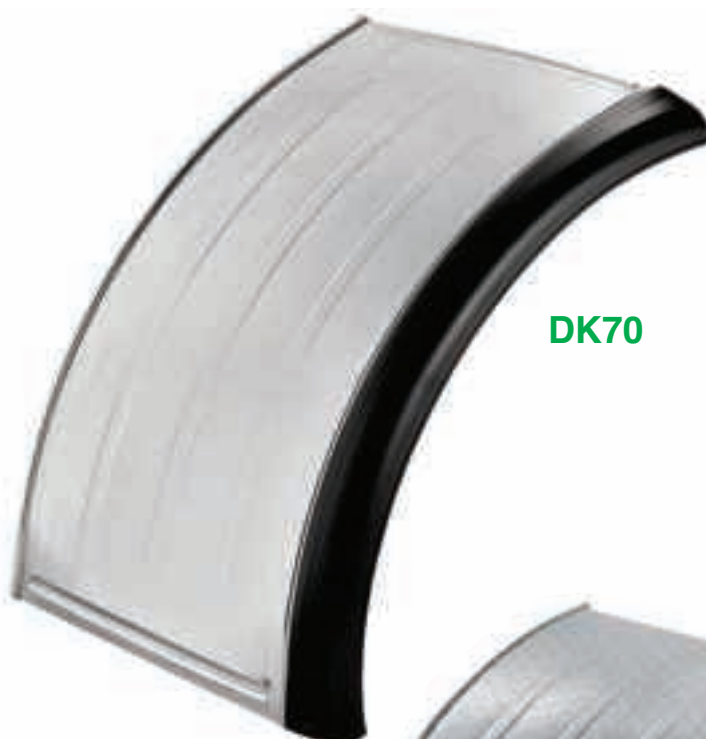
# FLOWERED STAINLESS STEEL & ZINC PLATED HALF WINGS

Mudguards, Mudflaps, Valances and Fittings

## DK70 with Rubber Edge

Zinc Plated Half Wing

Code	Dimensions mm	
	B	L
DK7010	500	700
DK7015	600	700
DK7020	650	700
DK7025	500	800
DK7035	650	800



## DK73 with Rubber Edge

Flowered Stainless Steel Half Wing

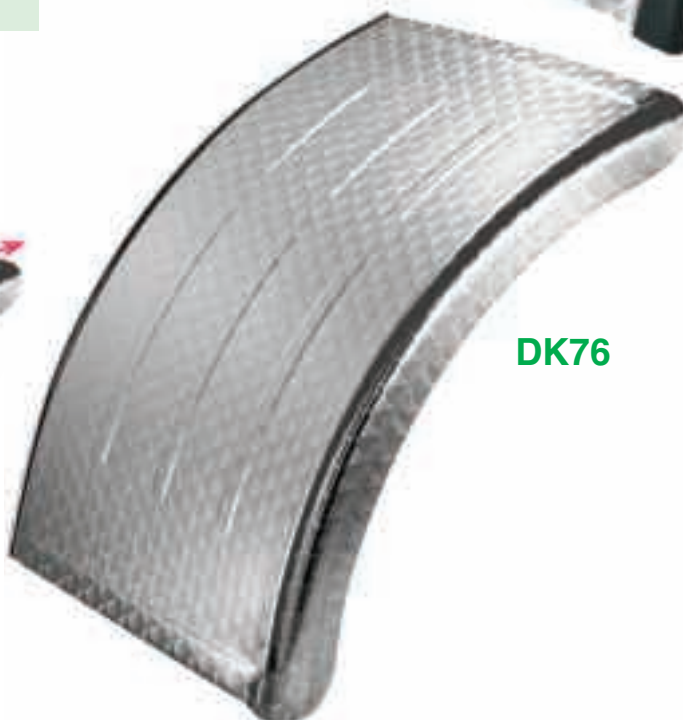
Code	Dimensions mm	
	B	L
DK7310	500	700
DK7320	650	700
DK7325	500	800
DK7335	650	800



## DK76

Flowered Stainless Steel Half Wing

Code	Dimensions mm	
	B	L
DK7610	500	700
DK7620	650	700
DK7625	500	800
DK7635	650	800





# FLOWERED STAINLESS STEEL & ZINC PLATED SINGLE AXLE

Mudguards, Mudflaps, Valances and Fittings

## DK71 Single Axle Zinc Plated Rubber Edge

Code	Dimensions mm		
	B	L	S
DK7110	240	1250	820
DK7115	400	1250	880
DK7120	400	1350	880
DK7125	450	1350	880
DK7130	420	1420	920
DK7135	450	1500	1000
DK7140	500	1500	1000
DK7145	550	1700	1110
DK7150	600	1800	1115
DK7155	650	1800	1115
DK7160	550	1900	1200
DK7165	450	2000	1340
DK7170	600	2000	1340
DK7175	650	2000	1340

**DK71**

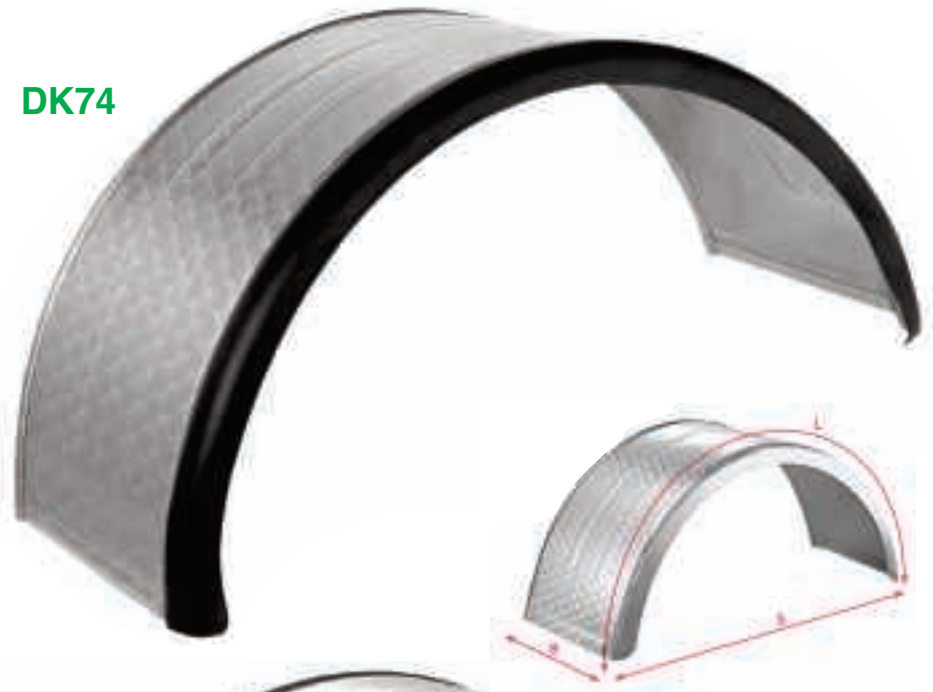


## DK74 Single Axle Rubber Edge

Flowered Stainless Steel

Code	Dimensions mm		
	B	L	S
DK7420	400	1350	880
DK7425	450	1350	880
DK7440	500	1500	1000
DK7445	550	1700	1110
DK7450	600	1800	1115
DK7455	650 diamond-shaped pattern</td <td>1800</td> <td>1115</td>	1800	1115
DK7465	450	2000	1340
DK7475	650	2000	1340

**DK74**

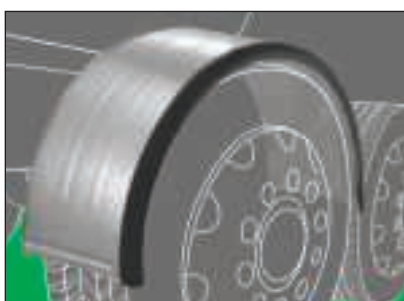
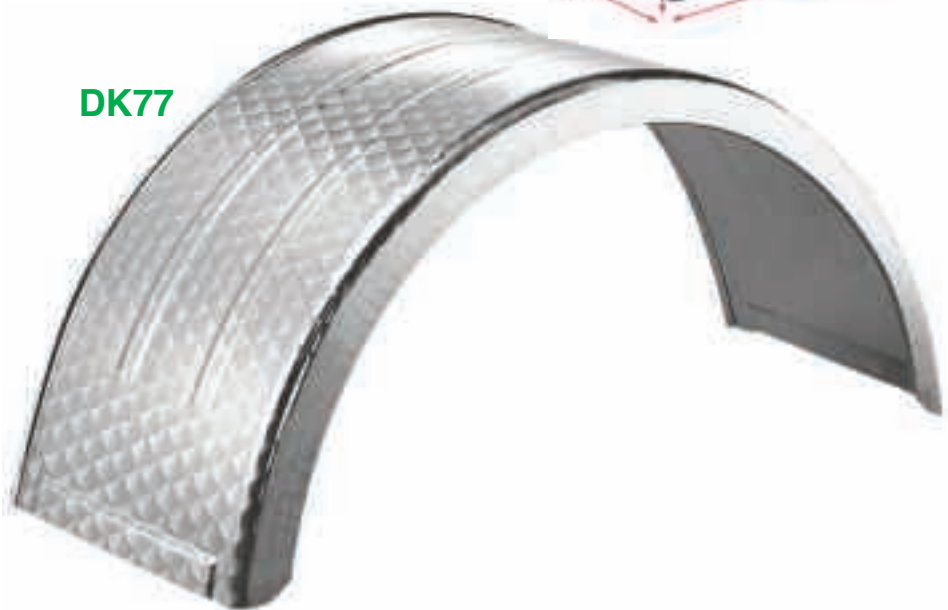


## DK77 Single Axle

Flowered Stainless Steel

Code	Dimensions mm		
	B	L	S
DK7720	400	1350	880
DK7725	450	1350	880
DK7740	500	1500	1000
DK7745	550	1700	1110
DK7750	600	1800	1115
DK7755	650	1800	1115
DK7765	450	2000	1340
DK7775	650	2000	1340
DK777506	690	2000	1340

**DK77**





# FLOWERED STAINLESS STEEL & ZINC PLATED MULTI-AXLE

Flowered - Stainless Steel - Zinc Plated - Multi Axle



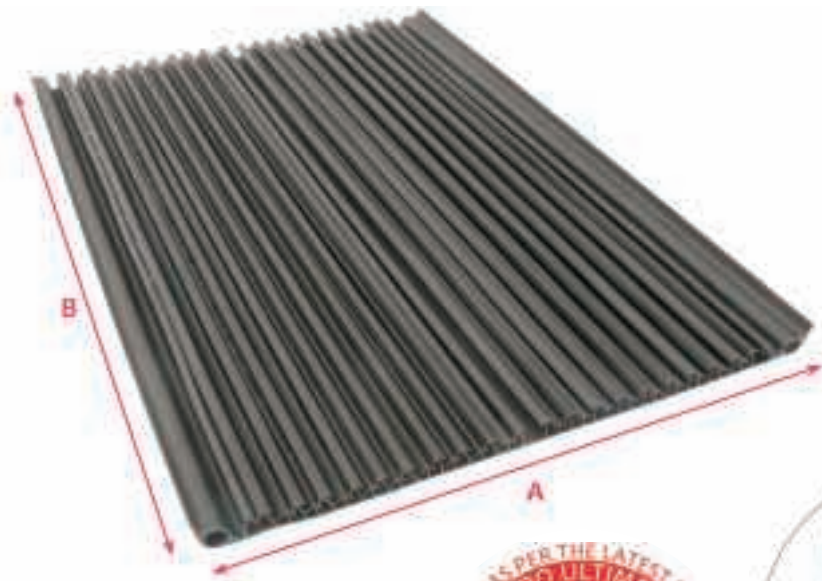
DK72 Multi Axle			
Zinc Plated with Rubber Edge			
Code	Dimensions mm		
	B	L	S
DK7215	650	3500	2740
DK7220	500	4750	3950
DK7225	650	4750	3950

DK75 Multi Axle			
Flowered Stainless Steel with Rubber Edge			
Code	Dimensions mm		
	B	L	S
DK7515	650	3500	2740

DK78 Multi Axle			
Flowered Stainless Steel			
Code	Dimensions mm		
	B	L	S
DK7815	650	3500	2740

# ANTI - SPRAY MUD FLAP FOR MUDGUARD WITH FITTING KIT

Anti-Nebulizer Spray Drain Mudflaps - Fitting Kit included



Code	Dimensions mm	
	A	B
DK5015	420	700
DK5035	480	700
DK5055	600	700
DK5075	650	700



# INDIVIDUAL ANTI - SPRAY MUD FLAP WITH FITTING KIT

Anti-Nebulizer Spray Drain Mudflaps - Fitting Kit included

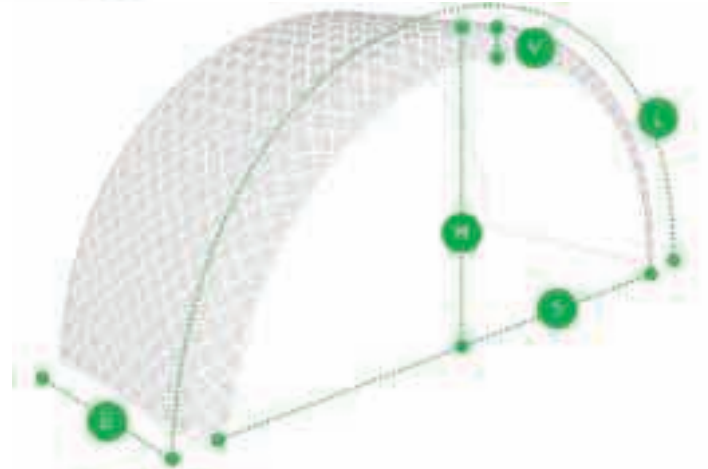
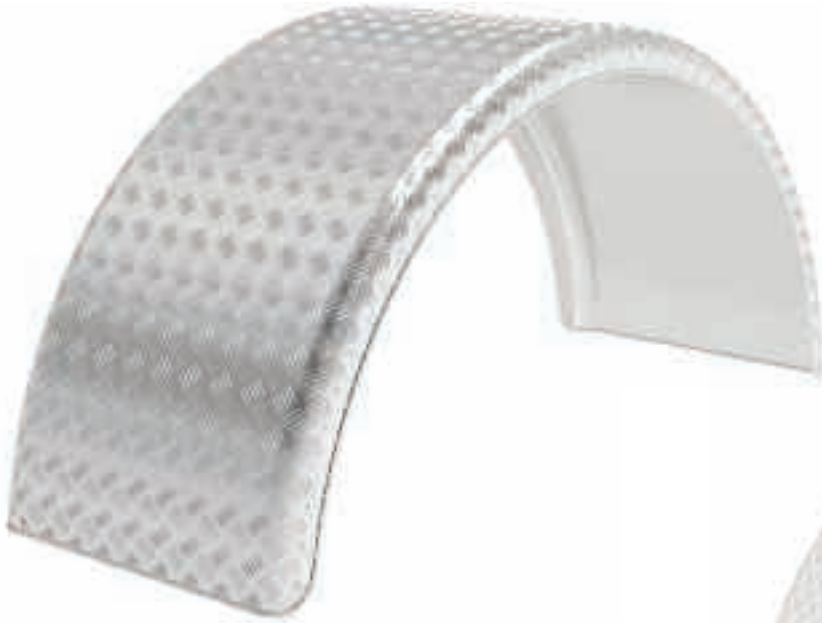


Code	Dimensions mm	
	A	B
DK6015	500	700
DK6020	500	900
DK6030	600	700
DK6040	600	900



# TREAD PLATE ALUMINIUM MUDGUARD SINGLE AXLE

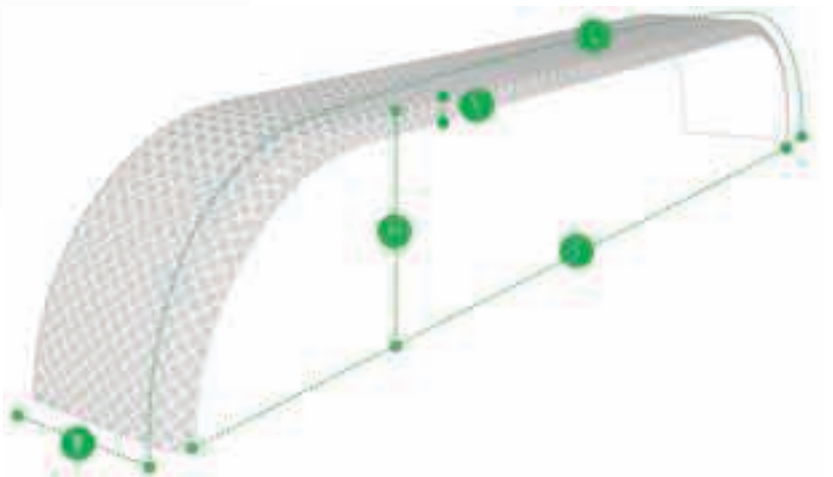
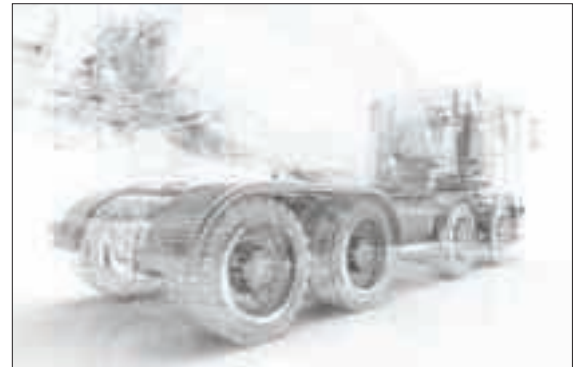
Tread plate aluminium mudguard - single axle - Light and robust



Code	Dimensions mm				
	B	L	S	H	V
DK7900	500	2000	1300	630	60
DK7905	650	2000	1300	630	60
DK7960 with edge	500	2000	1300	630	60
DK7965 with edge	650	2000	1300	630	60

# TREAD PLATE ALUMINIUM MUDGUARD MULTI AXLE

Tread plate aluminium mudguard - multi axle - Light and robust



Code	Dimensions mm				
	B	L	S	H	V
DK7910	500	4700	3950	690	60
DK7920	650	3500	2740	690	60
DK7980 with edge	500	4700	3950	690	60
DK7990 with edge	650	3500	2740	690	60



# PLASTIC TANDEM MUDGUARD/QUARTER

Plastic mudguard - Tandem and Quarter



Code	Dimensions mm					
	B	R	L	S	H	V
DK4500	670	635	3360	2680	620	75
DK4550	670	635	3360	2680	620	75



## STRAIGHT WINGSTAY WITH PLUG

Straight Wingstay Open Ended Black Powder Coated



Code	Dimensions mm	
	L	Ø
DK8010	580	42
DK8012	800	42

Straight Wingstay Single Bolt Fitting Direct to Chassis Black Powder Coated



Code	Dimensions mm	
	L	Ø
DK8020	580	42
DK8022	800	42

## STRAIGHT WINGSTAY WITH PLUG

Straight Wingstay 3 Hole Attachment Black Powder Coated



Code	Dimensions mm	
	L	Ø
DK8030	580	42
DK8032	800	42

Straight Wingstay Single Bolt Fitting Direct to Chassis Black Powder Coated



Code	Dimensions mm	
	L	Ø
DK8060	580	42
DK8062	800	42

## CURVED WINGSTAY WITH PLUG

Curved Wingstay Open Ended Black Powder Coated



Curved Wingstay Single Bolt Fitting Direct to Chassis Black Powder Coated



Code	Dimensions mm		
	L	L1	Ø
DK8014	580	310	42
DK8016	800	530	42

Code	Dimensions mm		
	L	L1	Ø
DK8024	580	310	42
DK8026	800	530	42

## CURVED WINGSTAY WITH PLUG

Curved Wingstay 3 Hole Attachment Black Powder Coated



Curved Wingstay Single Bolt Fitting Direct to Chassis Black Powder Coated



Code	Dimensions mm		
	L	L1	Ø
DK8034	580	310	42
DK8036	800	530	42

Code	Dimensions mm		
	L	L1	Ø
DK8064	580	310	42
DK8066	800	530	42

## ADJUSTABLE SUPPORT

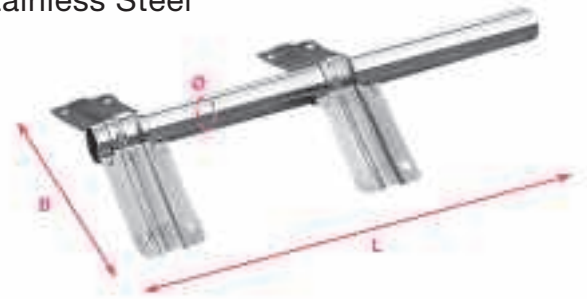
Adjustable Support Steel, Zinc Plated or Stainless Steel



Code	Type	Dimensions mm		
		B	L	Ø
DK8310	STEEL	240	600	42
DK8312	ZINC PLATED	240	600	42
DK8314	STAINLESS STEEL	240	600	42

## ADJUSTABLE SUPPORT

Adjustable Support Steel, Zinc Plated or Stainless Steel



Code	Type	Dimensions mm		
		B	L	Ø
DK8316	STEEL	410	740	54
DK8318	ZINC PLATED	410	740	54
DK8320	STAINLESS STEEL	410	740	54

## CURVED SUPPORT

Curved Support Steel, Zinc Plated or Stainless Steel



Code	Type	Dimensions mm		
		B	L	Ø
DK8322	STEEL	410	800	54
DK8324	ZINC PLATED	410	800	54
DK8326	STAINLESS STEEL	410	800	54

## CENTRAL MUDGUARD STAY

Central Stay Zinc Plated



Code	Type	Dimensions mm		
		B	L	Ø
DK8328	ZINC PLATED	1000	740	54

## STAINLESS STEEL WING STAY

Wingstay Single Bolt Fitting Direct to Chassis  
Stainless Steel



Code	Type	Dimensions mm		
		B	L	Ø
DL802001	STRAIGHT	100	555	42
DL802400	CRANKED	100	580	42
DL802606	CRANKED	100	800	42

## ZINC PLATED WING STAY

Wingstay Single Bolt Fitting Direct to Chassis  
Zinc Plated



Code	Type	Dimensions mm		
		B	L	Ø
DL802401	CRANKED	150	580	34
DL802602	CRANKED	150	700	34

# BLACK STEEL ADJUSTABLE MUDGUARD SUPPORT

Adjustable Support Black Steel



BLACK STEEL ADJUSTABLE SUPPORT

Code	Dimensions mm		
	L	H	Ø
DK8115	330	90	42

# PLASTIC ADJUSTABLE MUDGUARD SUPPORT

Adjustable Support Plastic



PLASTIC ADJUSTABLE MUDGUARD SUPPORT

Code	Dimensions mm	
	L	Ø
DK8125	355	42
DK8130	355	54



## ADJUSTABLE BRACKET MUDGUARD SUPPORTS

Adjustable plastic bracket for mudguard with clasp. Lightweight plastic construction.



Code	Dimensions Ø To suit stay diameter
DK8143	33mm
DK8148	42mm
DK8153	48mm
DK8158	54mm

## PLASTIC SUPPORT

Plastic 3-Hole Fitting Direct to Chassis for 42mm Wingstay



Code	Dimensions mm	
	L	Ø
DK8210	100	42

## ZINC PLATED SUPPORT

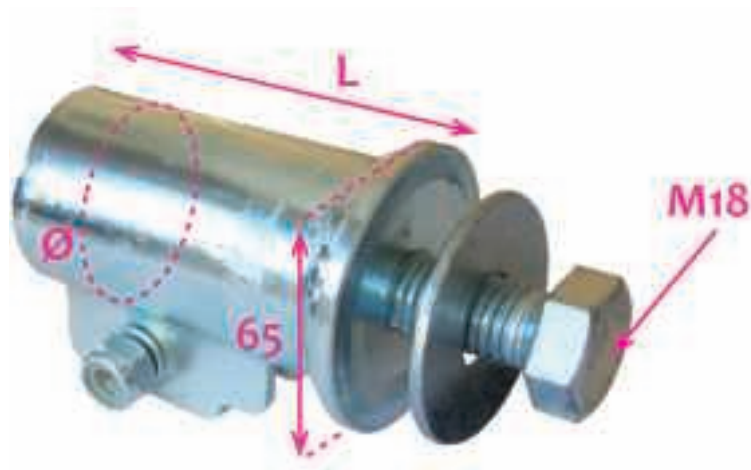
Zinc Plated 3-Hole Fitting Direct to Chassis for 42mm Wingstay



Code	Dimensions mm	
	L	Ø
DK8215	100	42

## ZINC PLATED SUPPORT

Zinc Plated Single Bolt Support Socket for 42mm Wingstay



Code	Dimensions mm	
	L	Ø
DK8220	100	42

## STEEL COUPLING

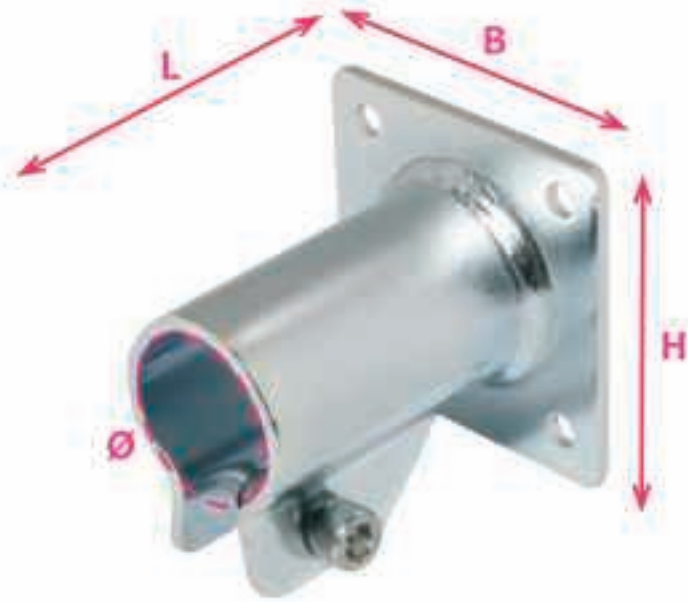
Bare Steel Weld on Support Socket for 42mm Wingstay



Code	Dimensions mm	
	L	Ø
DK8225	95	42

## TUBE BRACKET

Zinc Plated Wingstay Support Socket for 42mm Wingstay



Code	Dimensions mm			
	B	H	L	Ø
DK8216	90	90	95	42

## MUDGUARD TUBE BRACKET

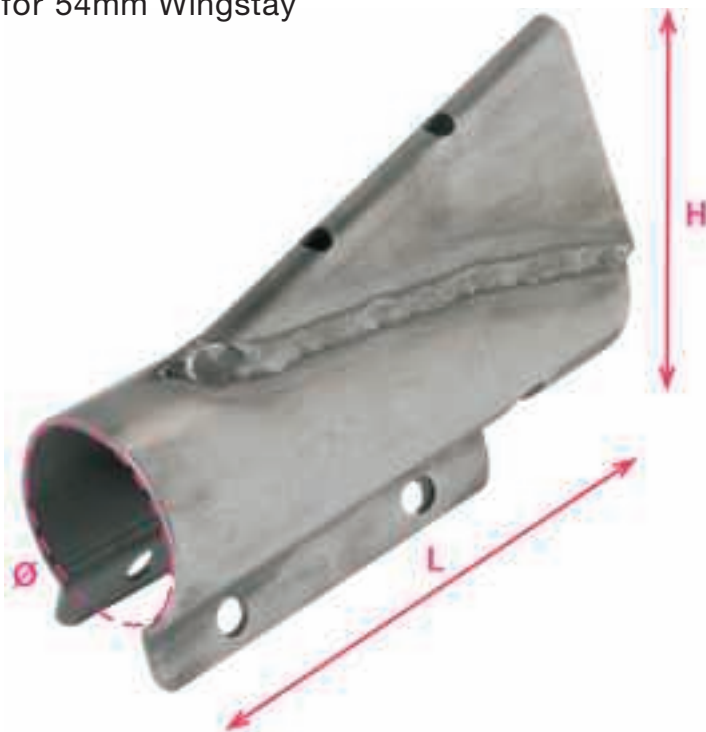
Zinc Plated Wingstay Support Socket for 54mm Wingstay



Code	Dimensions mm			
	B	H	L	Ø
DK8230	90	90	195	54

## REINFORCED TUBE SUPPORT

Bare Steel Weld on Wingstay Support Socket for 54mm Wingstay



Code	Dimensions mm		
	L	H	Ø
DK8234	190	130	54

## TUBE CAP

Rubber Tube Caps



Code	Dimensions mm	
	L	Ø
DK8410	24	42
DK8420	24	54

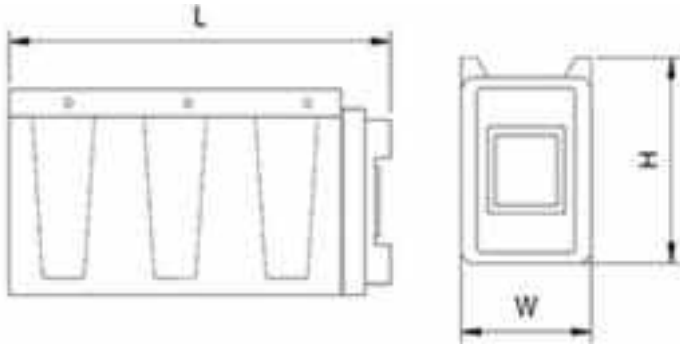
SAFETY  
EQUIPMENT

SPILL  
KIT  
—  
ADR



## GREEN TOP LOADING SPILL KIT BOX

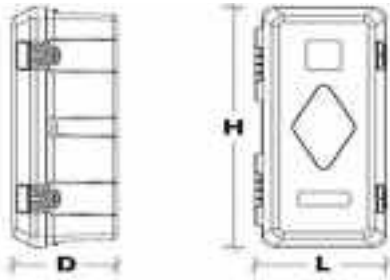
Green Spill Kit box - Heavy Duty Polypropylene resin - Rotational moulding - Moulded in fixing points - Water Resistant Seal



Code	Dimensions mm			Weight kg
	L	H	D	
BJB25S	735	290	250	2.87

## FRONT LOADING SPILL KIT BOX

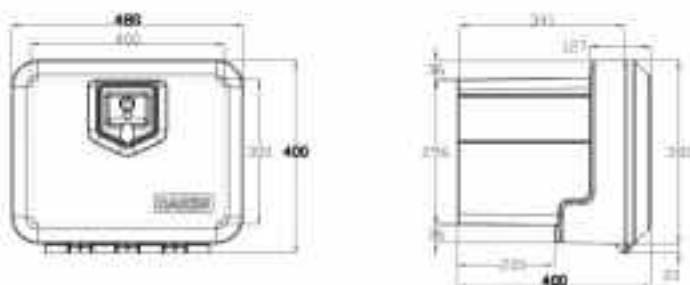
Front Loading Black Spill Kit box - Polypropylene resin using injection moulding - Durable No distortion - Water Resistant Seal



Code	Dimensions mm			Weight kg
	L	H	D	
V6510S	310	675	250	2.87
V6510S-NW	310	611	250 (No Window)	2.87

## UNDERBODY SPILL KIT BOX

UnderbodyBlack Spill Kit box - 39 Litre capacity - Europlex Lock - Water Resistant Seal Polypropylene resin using injection moulding



Code	Dimensions mm			Weight kg
	L	W	D	
81002S	480	400	400	6.0

# OIL & CHEMICAL SPILL KITS

Oil or Chemical Spill Kits - Kits can be configured to Specific Requirements



## 50 Litre SPILL KIT

**EXAMPLE:** 46 - 56 Litres Absorbancy  
Contents

25 x	Pads	40 x 52cm
4 x	Socks	125 x 7.5cm
1 x	Cushions	55 x 35 x 10cm
1 x	Dammit Slab	
1 x	Gloves	
1 x	Goggles	
1 x	Disposable bag and tie	

## 30 Litre SPILL KIT

**EXAMPLE:** 29 - 35 Litres Absorbancy  
Contents

20 x	Pads	40 x 52cm
3 x	Socks	125 x 7.5cm
1 x	Cushions	55 x 35 x 10cm
1 x	Dammit Slab	
1 x	Gloves	
1 x	Goggles	
1 x	Disposable bag and tie	

# ADR BAGS

A.D.R. Bags for storing Safety Equipment in the Cab



Code

Dimensions mm

L H D

BC95090

470 x 475 x 250

Code

Dimensions mm

L H D

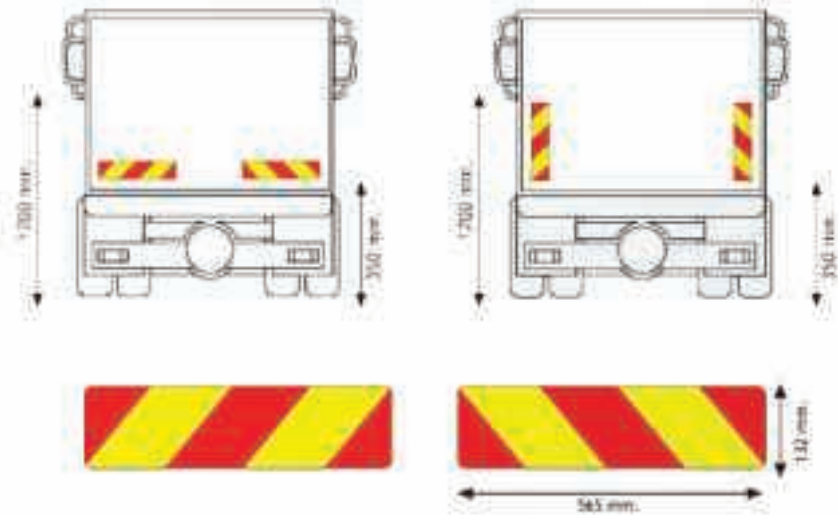
BC95088

450 x 400 x 195

## 2 PIECE REAR REFLECTIVE & FLUORESCENT PANELS

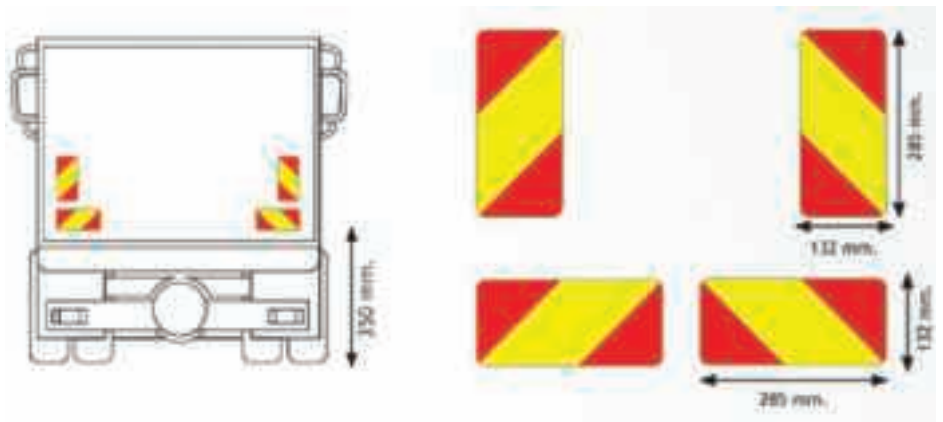
Rear Reflecting and Fluorescent panels for trucks conforming to ECE 70.01 regulations  
High intensity reflective, micro-prismatic yellow foil - 2-300% brighter than traditional class 2 films

<b>Reflecting/Reflecting Aluminium</b>	
BC90151	0.8mm
BC90154	1.0
BC90095	1.2
BC90157	2.0
<b>Reflecting/Reflecting Self Adhesive</b>	
BC99204	
<b>Reflecting/Fluorescent Aluminium</b>	
BC90160	0.8mm
BC90163	1.0
BC90094	1.2
BC90168	2.0
<b>Reflecting/Fluorescent Self Adhesive</b>	
BC99207	



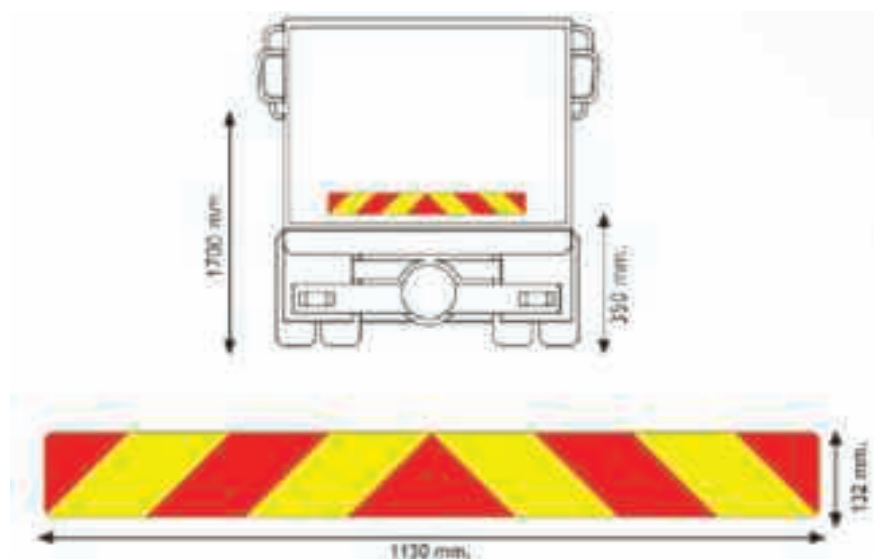
## 4 PIECE REAR REFLECTIVE & FLUORESCENT PANELS

<b>Reflecting/Reflecting Aluminium</b>	
BC90152	0.8mm
BC90155	1.0
BC90086	1.2
BC90158	2.0
<b>Reflecting/Reflecting Self Adhesive</b>	
BC99205	
<b>Reflecting/Fluorescent Aluminium</b>	
BC90161	0.8mm
BC90164	1.0
BC90166	1.2
BC90169	2.0
<b>Reflecting/Fluorescent Self Adhesive</b>	
BC99208	



## 1 PIECE REAR REFLECTIVE & FLUORESCENT PANELS

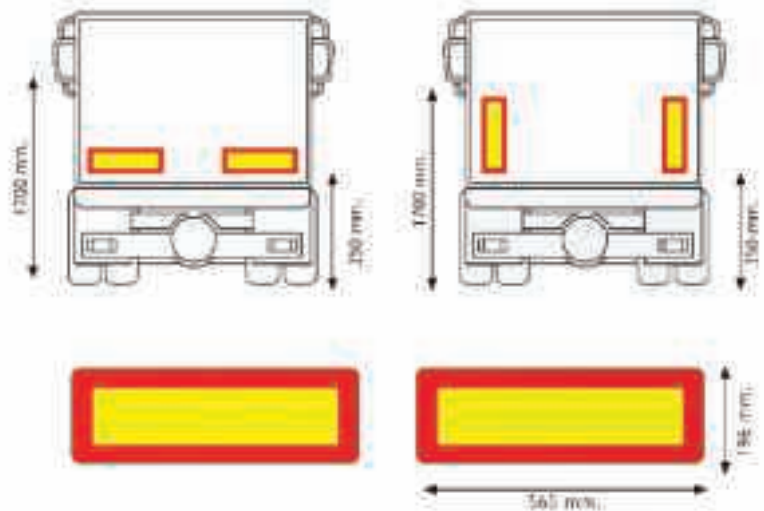
<b>Reflecting/Reflecting Aluminium</b>	
BC90156	1.0
BC90088	1.2
BC90159	2.0
<b>Reflecting/Reflecting Self Adhesive</b>	
BC99206	
<b>Reflecting/Fluorescent Aluminium</b>	
BC90165	1.0
BC90167	1.2
BC90170	2.0
<b>Reflecting/Fluorescent Self Adhesive</b>	
BC99209	



## 2 PIECE REAR REFLECTIVE & FLUORESCENT PANELS

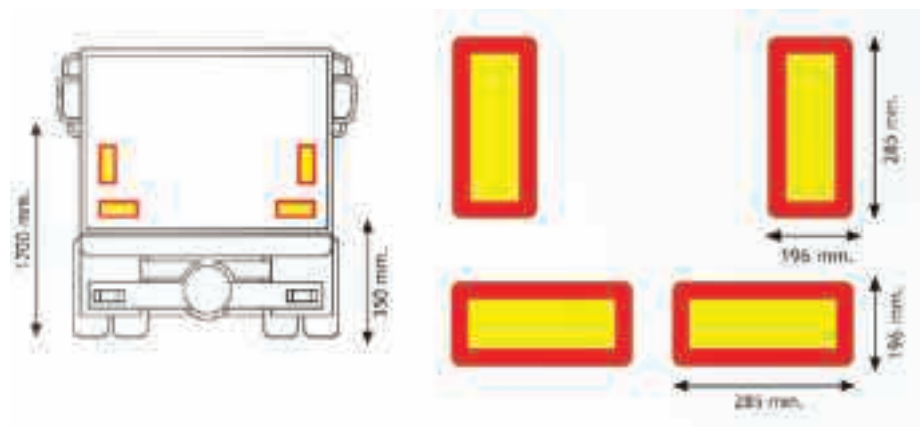
Rear Reflecting and Fluorescent panels for trailers conforming to ECE 70.01 regulations  
High intensity reflective, micro-prismatic yellow foil - 2-300% brighter than traditional class 2 films

<b>Reflecting/Reflecting Aluminium</b>	
BC90171	0.8mm
BC90174	1.0
BC90096	1.2
BC90177	2.0
<b>Reflecting/Reflecting Self Adhesive</b>	
BC99214	
<b>Reflecting/Fluorescent Aluminium</b>	
BC90180	0.8
BC90183	1.0
BC90093	1.2
BC90188	2.0
<b>Reflecting/Fluorescent Self Adhesive</b>	
BC99217	



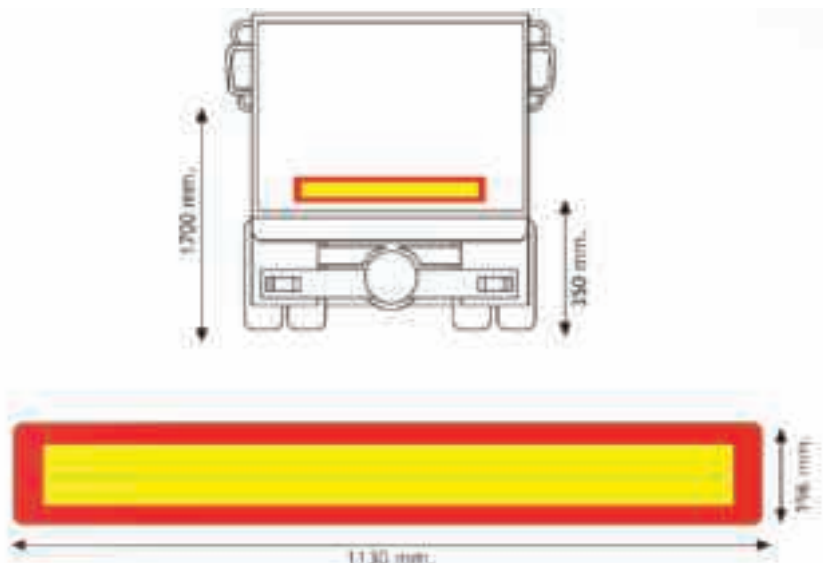
## 4 PIECE REAR REFLECTIVE & FLUORESCENT PANELS

<b>Reflecting/Reflecting Aluminium</b>	
BC90172	0.8mm
BC90175	1.0
BC90090	1.2
BC90178	2.0
<b>Reflecting/Reflecting Self Adhesive</b>	
BC99215	
<b>Reflecting/Fluorescent Aluminium</b>	
BC90181	0.8mm
BC90184	1.0
BC90186	1.2
BC90189	2.0
<b>Reflecting/Fluorescent Self Adhesive</b>	
BC99218	



## 1 PIECE REAR REFLECTIVE & FLUORESCENT PANELS

<b>Reflecting/Reflecting Aluminium</b>	
BC90176	1.0
BC90092	1.2
BC90179	2.0
<b>Reflecting/Reflecting Self Adhesive</b>	
BC99216	
<b>Reflecting/Fluorescent Aluminium</b>	
BC90185	1.0
BC90187	1.2
BC90190	2.0
<b>Reflecting/Fluorescent Self Adhesive</b>	
BC99219	





# REAR REFLECTING AGRICULTURAL PANELS

Rear Reflecting and Fluorescent Agricultural Panels Zinc Coated - Single layer non-peel reflective film - Conforming to DIN 11030 Class 1 Film

Code	Side	Dimensions mm	
		L	H
BC90011	Lefthand	423	423
BC90012	Righthand	423	423



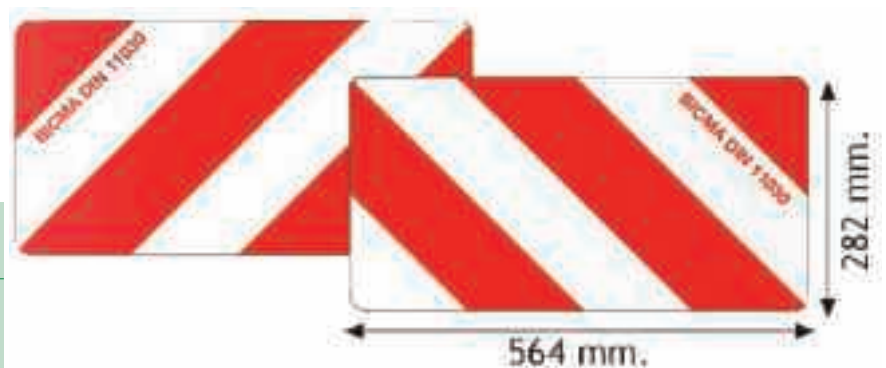
Code	Side	Dimensions mm	
		L	H
BC90022	Righthand	423	423
BC90023	Lefthand	423	423



Code	Side	Dimensions mm	
		L	H
BC90001	Righthand	423	423
BC90002	Lefthand	423	423

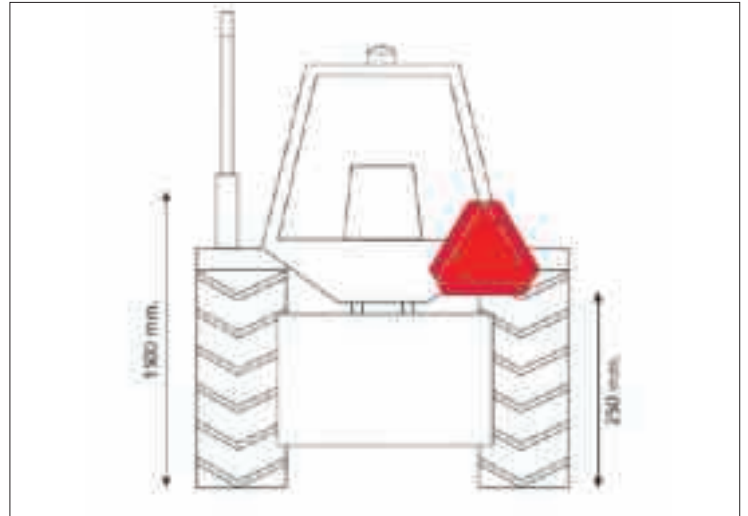
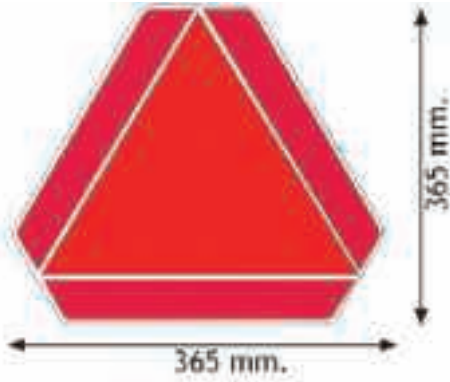


Code	Side	Dimensions mm	
		L	H
BC90031	2 Panel Kit	564	282



## WARNING TRIANGLE

Aluminium Warning Triangle for slow moving vehicles conforming to ECE 69.01



Code	Dimensions mm	
	W	H
BC70070	365	365

## WARNING TRIANGLE

Fold up Warning Triangle for carrying in the vehicle in case of breakdown



Code	Dimensions mm		
	W	H	D
BC70090	365	365	35

## TIR PANELS

Aluminium TIR Panels 1mm - Flat and Folding



FLAT ALUMINIUM PANEL		
Code	Dimensions mm	
	W	H
BC90111	400	250

VERTICAL FOLDING PANEL		
Code	Dimensions mm	
	W	H
BC90112	400	250

HORIZONTAL FOLDING PANEL		
Code	Dimensions mm	
	W	H
BC90112	400	250

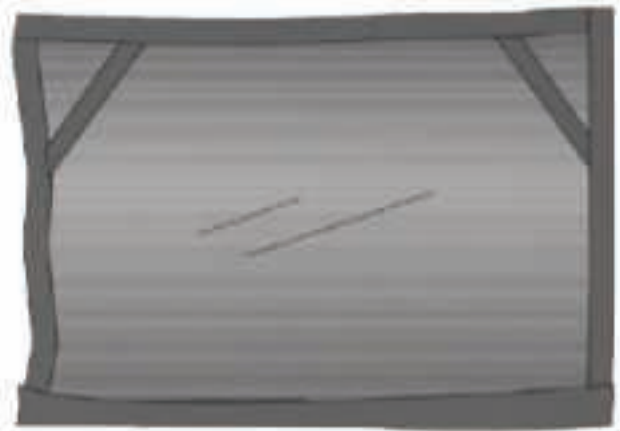
# DANGEROUS LOAD NEUTRAL PANELS

Standard and Folding Neutral Panels for Dangerous Load Transport (A.D.R.)  
Aluminium, Stainless Steel and Zinc Plated

Code	Material	Dimensions mm		
		L	H	D
BC91201	Stainless Steel	400	300	0.8
BC91203	Zinc Plated	423	423	0.8



Code	Material	Dimensions mm	
		L	H
BC91054	Black Panel Cover	400	300



Code	Material	Dimensions mm		
		L	H	D
BC91210	Aluminium	300	120	1.0
BC91216	Aluminium (Folding)	300	120	2.0

BC91210



BC91216



Code	Material	Dimensions mm		
		L	H	D
BC91208	Aluminium (Vertical Folding)	400	300	1.0
BC91212	Aluminium (Vertical Folding)	400	300	2.0
BC91219	Stainless Steel (Vertical Folding)	400	300	0.8
BC91221	Zinc Plated (Vertical Folding)	400	300	0.8



# DANGEROUS LOAD NEUTRAL PANELS

Standard and Folding Neutral Panels for Dangerous Load Transport (A.D.R.)  
Aluminium, Stainless Steel and Zinc Plated

## HORIZONTAL FOLDING

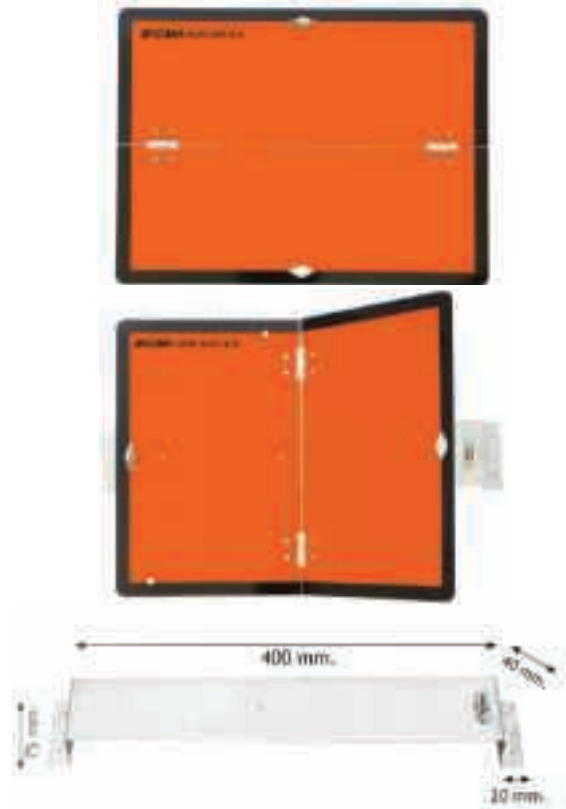
Code	Material	Dimensions mm		
		L	H	D
BC91209	Aluminium (Horizontal Folding)	400	300	1.0
BC91211	Aluminium (Horizontal Folding)	400	300	2.0
BC91222	Zinc Plated (Horizontal Folding)	400	300	0.8
BC91223	Stainless Steel (Horizontal Folding)	400	300	0.8

## VERTICAL FOLDING

Code	Material	Dimensions mm		
		L	H	D
BC91207	Aluminium with Bracket	400	300	1.0

## BRACKET FOR FOLDING PANELS

Code	Material	Dimensions mm	
		L	D
BC91240	Bracket with Fixing Bolts	400	75



# DANGEROUS LOAD PANELS WITH RUBBER PROTECTION

Verical Folding Panels for Dangerous Load Transport (A.D.R.)  
Aluminium, Stainless Steel and Zinc Plated

Code	Material	Dimensions mm		
		L	H	D
BC91217	Aluminium (Vertical Folding)	400	300	1.0
BC91218	Stainless Steel (Vertical Folding)	400	300	0.8
BC91220	Zinc Plated (Vertical Folding)	400	300	0.8

Code	Material	Dimensions mm		
		L	H	D
BC92055	Zinc Plated (Vertical Folding)	400	300	0.8



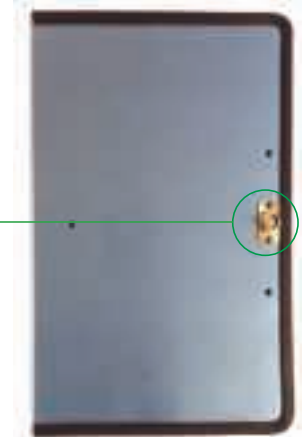
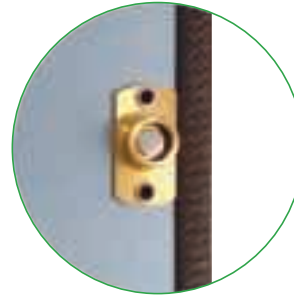
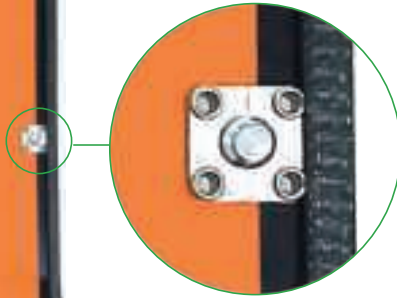


## A.D.R. HOLDING PANELS

A.D.R. Vertical Folding Panel - Aluminium - Rubber Protection Border - Closing System



A.D.R. aluminium neutral vertical folding plate with rounded corners, rubber protection and special closing system according with WVTA, with 3 holes by  $\varnothing.5$  mm



Code	Material	Dimensions mm		
		L	H	D
BC90326	Aluminium	400	x 300	x 1.0

## A.D.R. HOLDING PANELS

A.D.R. Double Holding Panel - Stainless Steel - Suitable for 94 x 134mm numbers



Suitable for 94 x 134mm numbers

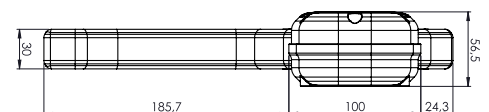
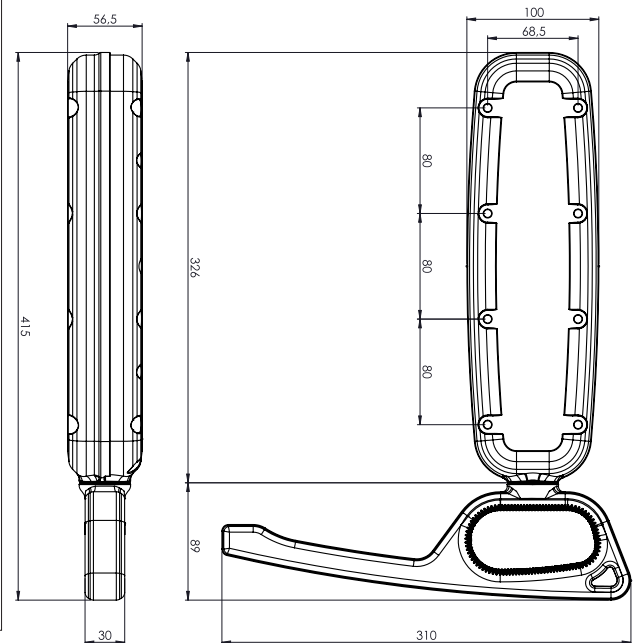
Code	Material	Dimensions mm		
		L	H	D
BC90326	Aluminium	300	x 400	x 1.0

# BODY COMPONENTS



# PLASTIC DOOR RETAINER

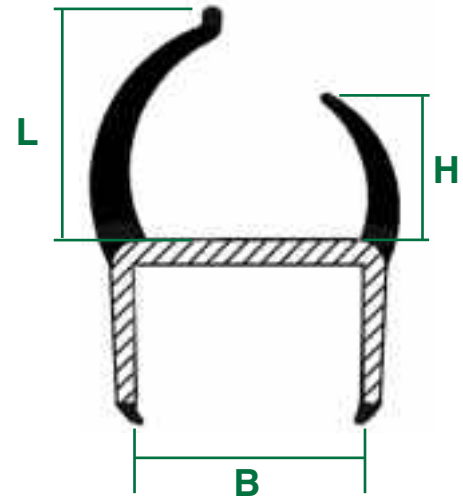
Plastic Door Retainer Holds Doors Back Safely and Securely



Code	Dimensions mm			Weight kg
	L	H	D	
83600	56.5	415	310	1.2

## RIGID PVS SEAL REAR AND LATERAL DOORS

Rigid PVC Co-Extruded Seal - PVC Rubber - 3.2m for Rear and Lateral Doors



Code	Dimensions mm			Weight kg
	L	B	H	
602000100	27	19.0	12	1.50
602000200	27	21.8	14	2.00
602000300	27	27.2	14	1.50
602000400	33	30.0	15	1.50
602000500	34	35.35	15	1.50
602000600	34	41.9	14	2.00
602000700	34	30.0	15	1.50

## PVC RUBBER SEAL FOR ANGLES

PVC Rubber - Seal for Angles

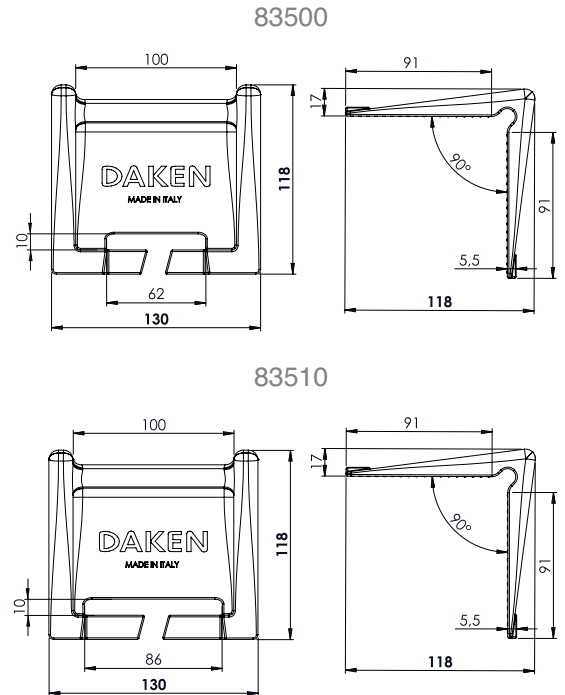


Code	Dimensions mm		Weight kg
	B	H	
6022000100	21	75	0.01



## 90° CORNER PROTECTOR

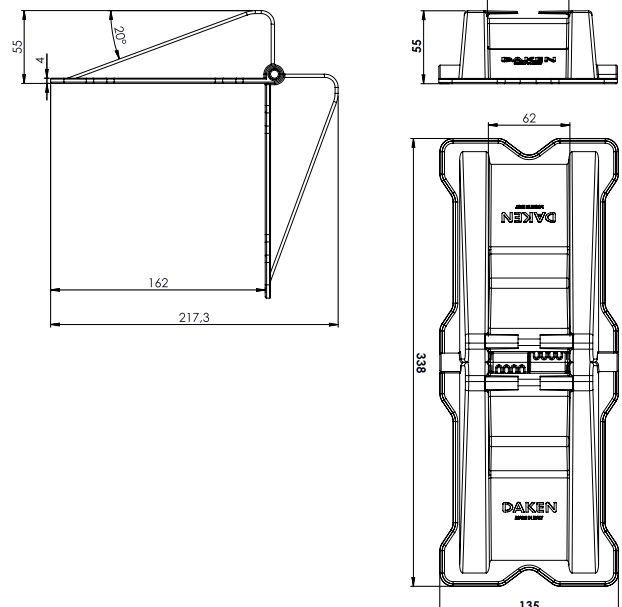
Corner protector in polypropylene for tie down straps - 90° angle, suitable for load protection.  
2 versions - load strap maximum width 60 mm or 85 mm - Reinforced structure - Antislip



Code	Belt Width	Dimensions mm			Weight kg
		L	H	D	
83500	60	130	118	118	0.07
83510	85	130	118	118	0.07

## 90°-180° CORNER PROTECTOR


Corner protector in polypropylene for tie down straps - adjustable opening 90° to 180°  
Suitable for load strap with maximum width 60 mm - Grid structure with reinforcing ribs



Code	Belt Width	Dimensions mm			Weight kg
		L	H	D	
83520	60	135	55	338	0.31

# REFLECTIVE TAPES



C	←	Category Class of Material		C
E4	←	European Test Institute Identification		E4
104 R - 000001	←	Manufacturer's Homologation number		104 R - 000001



# ORAFOL VC104+ REFLECTIVE CONSPICUITY TAPE

ORAFOL VC104+ Reflective Tape / Conspicuity Tapes - Rigid Grade - ECE104 Class C approved to comply with Regulation 48.03 - signified e-mark to indicate compliancy



- Approved to ECE104 Class C
- Outstanding long distance night time visibility
- Single layer prismatic construction with adhesive backing
- Easy to handle and apply
- No edge sealing required
- Easy to cut
- Polyester construction, no cracking
- Resistant to power washing
- Highly resistant to most industrial cleaning processes
- Impact resistant
- Self-adhesive backing suitable for all rigid surfaces including Stainless Steel and Aluminium



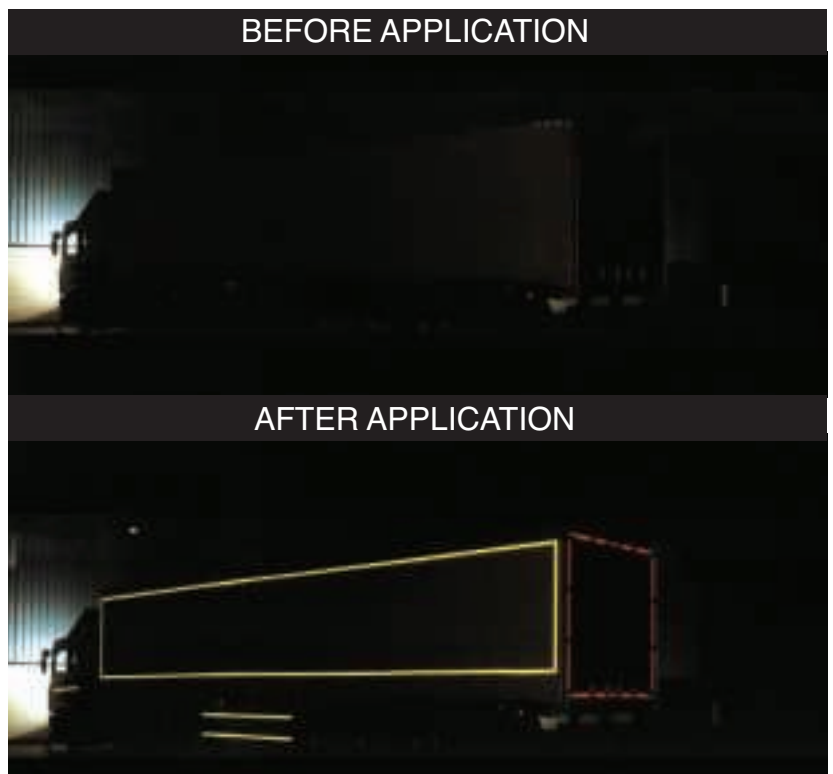
Code	Roll Dimensions mm	
	L	W
BC70701-50	50 metre	50
BC70701-12	12.5 metre	50
BC70701-5	5 metre	50

Code	Roll Dimensions mm	
	L	W
BC70702-50	50 metre	50
BC70702-12	12.5 metre	50
BC70702-5	5 metre	50

Code	Roll Dimensions mm	
	L	W
BC70703-50	50 metre	50
BC70703-12	12.5 metre	50
BC70703-5	5 metre	50




# ORAFOL VC104+ TANKER STICKERS


ORAFOL VC104+ Reflective Tape / Conspicuity Tapes - Rigid Grade - ECE104 Class C approved to comply with Regulation 48.03 - signified e-mark to indicate compliancy

- Approved to ECE104
- Outstanding long distance night time visibility
- Single layer prismatic construction with adhesive backing
- Highly resistant to most industrial cleaning processes
- Easy to handle and apply
- No edge sealing required
- Pre cut with Rounded Corners
- Polyester construction, no cracking
- Self-adhesive backing
- Resistant to power washing
- Impact resistant




 ORAFOL VC104+ Yellow Tanker Stickers		
Code	Dimensions mm L	Label Quantity
BC70710-50	50 metre	300
BC70710-10	10 metre	60

 ORAFOL VC104+ White Tanker Stickers		
Code	Dimensions mm L	Label Quantity
BC70711-50	50 metre	300
BC70711-10	10 metre	60

 ORAFOL VC104+ Red Tanker Stickers		
Code	Dimensions mm L	Label Quantity
BC70709-50	50 metre	300
BC70709-10	10 metre	60





# ORAFOL VC104+ CURTAIN GRADE SEGMENTED TAPE

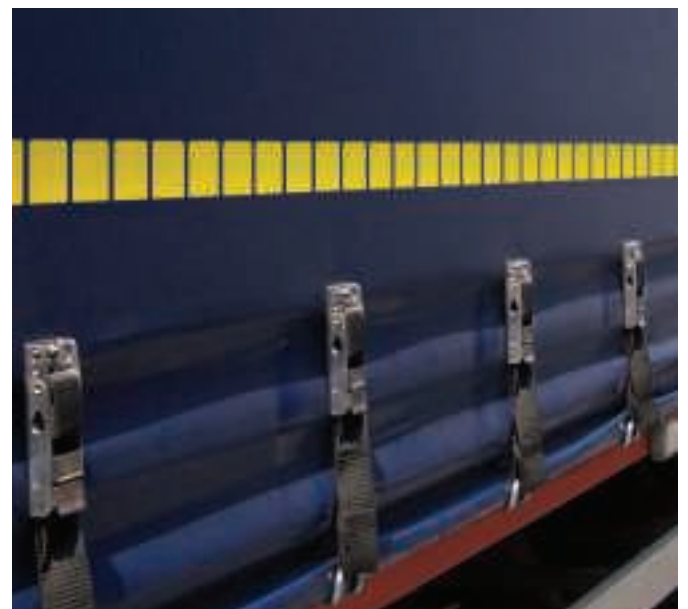
ORAFOL VC104+ Reflective Segmented Curtain Grade Tape - ECE104 Class C approved to comply with Regulation 48.03 - signified e-mark to indicate compliancy - For Vehicles that feature a moveable Curtain or Tarpaulin side or rear



- Approved to ECE104 Class C
- Outstanding long distance night time visibility
- Single layer prismatic construction with adhesive backing
- Vinyl construction flexes with the curtain
- Easy to handle and apply
- No edge sealing required
- Applies as a single strip
- Polyester construction, no cracking
- Resistant to power washing
- Highly resistant to most industrial cleaning processes
- Impact resistant
- Ideal for repairs



<span style="display: inline-block; width: 15px; height: 15px; background-color: white; border-radius: 50%; margin-right: 5px;"></span> ORAFOL VC104+ White Curtain Grade Segmented Tape			
Code	Roll Dimensions mm		Segment Size mm
	L	W	
BC70756	50 metre	50	50 x 50.2 (6mm Spacing)
<span style="display: inline-block; width: 15px; height: 15px; background-color: yellow; border-radius: 50%; margin-right: 5px;"></span> ORAFOL VC104+ Yellow Curtain Grade Segmented Tape			
Code	Roll Dimensions mm		Segment Size mm
	L	W	
BC70757	50 metre	50	50 x 50.2 (6mm Spacing)
<span style="display: inline-block; width: 15px; height: 15px; background-color: red; border-radius: 50%; margin-right: 5px;"></span> ORAFOL VC104+ Red Curtain Grade Segmented Tape			
Code	Roll Dimensions mm		Segment Size mm
	L	W	
BC70758	50 metre	50	50 x 50.2 (6mm Spacing)



# ORAFOL VC104+ CURTAIN GRADE TAPE

ORAFOL VC104+ Reflective Curtain Grade Tape - ECE104 Class C approved to comply with Regulation 48.03 - signified e-mark to indicate compliancy - For Vehicles that feature a moveable Curtain or Tarpaulin side or rear



- Approved to ECE104 Class C
- Outstanding long distance night time visibility
- Single layer prismatic construction with adhesive backing
- Vinyl construction flexes with the curtain
- Easy to handle and apply
- No edge sealing required
- Polyester construction, no cracking
- Resistant to power washing
- Highly resistant to most industrial cleaning processes
- Impact resistant
- Ideal for repairs



## ORAFOL VC104+ Yellow Curtain Grade Conspicuity Tape

Code		Roll Dimensions mm	
		L	W
BC70751-50	Yellow	50 metre	50
BC70751-12	Yellow	12.5 metre	50
BC70751-5	Yellow	5 metre	50



## ORAFOL VC104+ White Curtain Grade Conspicuity Tape

Code		Roll Dimensions mm	
		L	W
BC70752-50	White	50 metre	50
BC70752-12	White	12.5 metre	50
BC70752-5	White	5 metre	50



## ORAFOL VC104+ Red Curtain Grade Conspicuity Tape

Code		Roll Dimensions mm	
		L	W
BC70750-50	Red	50 metre	50
BC70750-12	Red	12.5 metre	50
BC70750-5	Red	5 metre	50



## REFLEXITE VC104+ PERSONALISED RIGID REFLECTIVE TAPE

ORAFOL VC104+ Personalised Reflective Tape - ECE104 Class C approved to comply with Regulation 48.03 - signified e-mark to indicate compliancy



- Rigid Grade Reflective Tape
- Approved to ECE104 Class C - Easy to handle and apply
- Personalised with your Company logo
- Your logo with or without Border - 50m x 50mm Roll
- Outstanding long distance night time visibility
- Single layer prismatic construction with adhesive backing
- No edge sealing required - Easy to cut
- Polyester construction, no cracking - Self-adhesive backing
- Resistant to power washing
- Highly resistant to most industrial cleaning processes



## ORAFOL VC104+ PERSONALISED CURTAIN REFLECTIVE TAPE



- Curtain Grade Segmented Reflective Tape
- Approved to ECE104 Class C - Easy to handle and apply
- Personalised with your Company logo
- 50m x 50mm Roll
- Outstanding long distance night time visibility
- Single layer prismatic construction with adhesive backing
- No edge sealing required
- Easy to cut
- Polyester construction, no cracking - Self-adhesive backing
- Resistant to power washing
- Highly resistant to most industrial cleaning processes

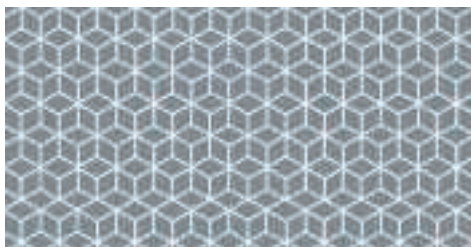


# ORALITE® VC 104+ RIGID GRADE REFLECTIVE TAPE

ORALITE®+ Personalised Reflective Tape - ECE104 Class C approved to comply with Regulation 48.03 - signified e-mark to indicate compliancy



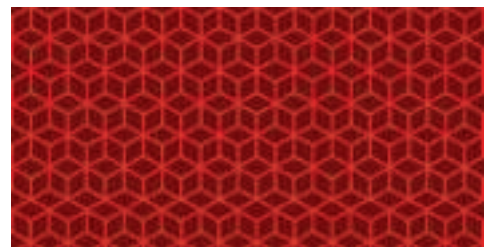
- Rigid Grade Reflective Tape
- Approved to ECE104 Class C
- Easy to handle and apply
- Personalised with your Company logo
- Your logo with or without Border
- 50m x 50mm Roll
- Outstanding long distance night time visibility
- Single layer prismatic construction with adhesive backing
- No edge sealing required
- Easy to cut
- Polyester construction, no cracking
- Self-adhesive backing
- Resistant to power washing
- Highly resistant to most industrial cleaning processes



Silver/white tape  
colour: Multi colour or single colour  
print possible



Yellow tape  
colour: white or black print possible



Red tape  
colour: white or black print possible

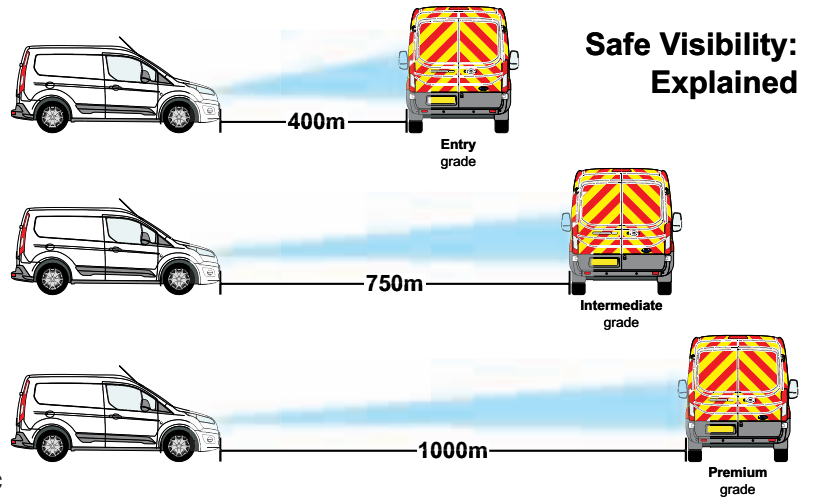


# Chevron Manufacturing Board

## Chapter 8 Guidance

### What is Chapter 8?

Chapter 8 refers literally to chapter 8 of the Department of Transport Documentation Traffic Signs Manual. It details the requirements for signage, markings and safety guidelines for temporary traffic management situations on highways. This guide will focus on parts related to vehicles stopping on high speed roads specified chapter 8 of the document.



### Is Chapter 8 legislation?

Vehicle chevrons related to Chapter 8 of the Traffic Signs Manual are not legal requirements in England but are considered best practice, whereas vehicle markings are required in Scotland & Wales. Whilst Chapter 8 is not legislation, it is considered best practice with most organisations ensuring all their vehicles have the relevant conspicuity markings.

### How to comply with Chapter 8

Compliance varies depending on the type of vehicle, ranging from cars & vans (under 7.5 tonnes) to recovery trucks & road sweepers (over 7.5 tonnes) and if the vehicle has a specific function such as Incident / Mobile Support. For vehicles under 7.5 tonnes to comply with Chapter 8 guidance, the rear markings need to be upward facing stripes in alternating red and yellow materials measuring no less than 150mm in width and no greater than 200mm as much of the rear of the vehicle must be covered as possible.. The red or orange material needs to be retro-reflective to maximise visibility at night with the yellow material being non-reflective for daytime visibility. Vehicles should also display "Highway Maintenance" or "Motorway Maintenance" sign in non-reflective black and have 50mm side markings in yellow microprismatic material plus any leading edges must be marked with reflective strips.

In addition to the above, vehicles over 7.5 tonnes must also include a directional arrow incorporating flashing lights to supplement the message to keep left/right and rear marker chevron boards.

### Italtruck Chevrons

Here at Italtruck we can supply everything you need to comply with Chapter 8 Guidelines including chevrons for all makes and models of vehicles and related signage. We only use high quality materials for all of our chevron kits and we offer vehicle markings in 3 grades which are:



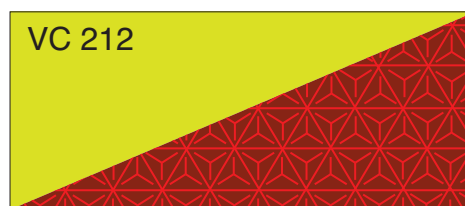
#### Entry Grade - Oralite 5400

4 year life

Suitable for stopping on highways with passing traffic up to 40mph.

Glass bead technology.

No Edge Sealing



#### Intermediate Grade - VC 212 5 year life

- High Intensity Prismatic

Suitable for stopping on highways with passing traffic in excess of 50mph.

No edge sealing

**Minimum legal requirement in Scotland & Wales**



#### Premium Grade - VC 612

7 year life - Flexibright microprismatic technology, perfect for emergency vehicles.

Suitable for stopping on highways with passing traffic in excess of 50mph.

No edge sealing

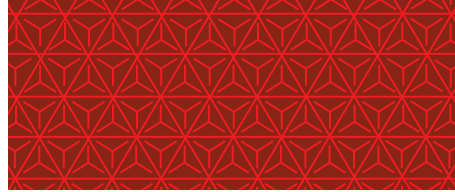
# Chevron Manufacturing Board

Oracal 7510 - 3 year Life - High performance Fluorescent Cast NR1



### Entry Grade - Oralite 5400

4 year life, Suitable for stopping on highways with passing traffic up to 40mph. Glass bead technology. No Edge Sealing



### Intermediate Grade - VC 212

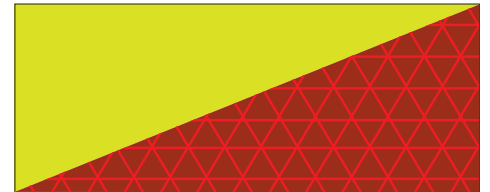
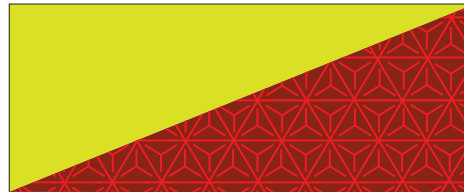
5 year life - High Intensity Prismatic Suitable for stopping on highways with passing traffic in excess of 50mph. No edge sealing

Minimum legal requirement in Scotland & Wales



### Premium Grade - VC 612

7 year life - Flexibright microprismatic technology, perfect for emergency vehicles. Suitable for stopping on highways with passing traffic in excess of 50mph. No edge sealing



All standard chevron kits are made in accordance with TSRGD Chapter 8. Chevrons are made at 150mm wide and positioned at the industry standard of 45°

# HIGHWAY MAINTENANCE

'HIGHWAY MAINTENANCE' also known as 'TSRGD Dia 7404' must be made in accordance with strict laws. Highway may be varied to 'Motorway' or 'Road' and cap height must be between 52.5mm and 210mm. Also the text may be on two lines.

## EXAMPLES



2000mm x 700mm Chevron Panel  
Chevron Width 150mm and positioned at 45°  
HIGHWAY MAINTENANCE at 100mm Xheight



2000mm x 700mm Chevron Panel  
Chevron Width 150mm and positioned at 45°  
HIGHWAY MAINTENANCE at 100mm Xheight

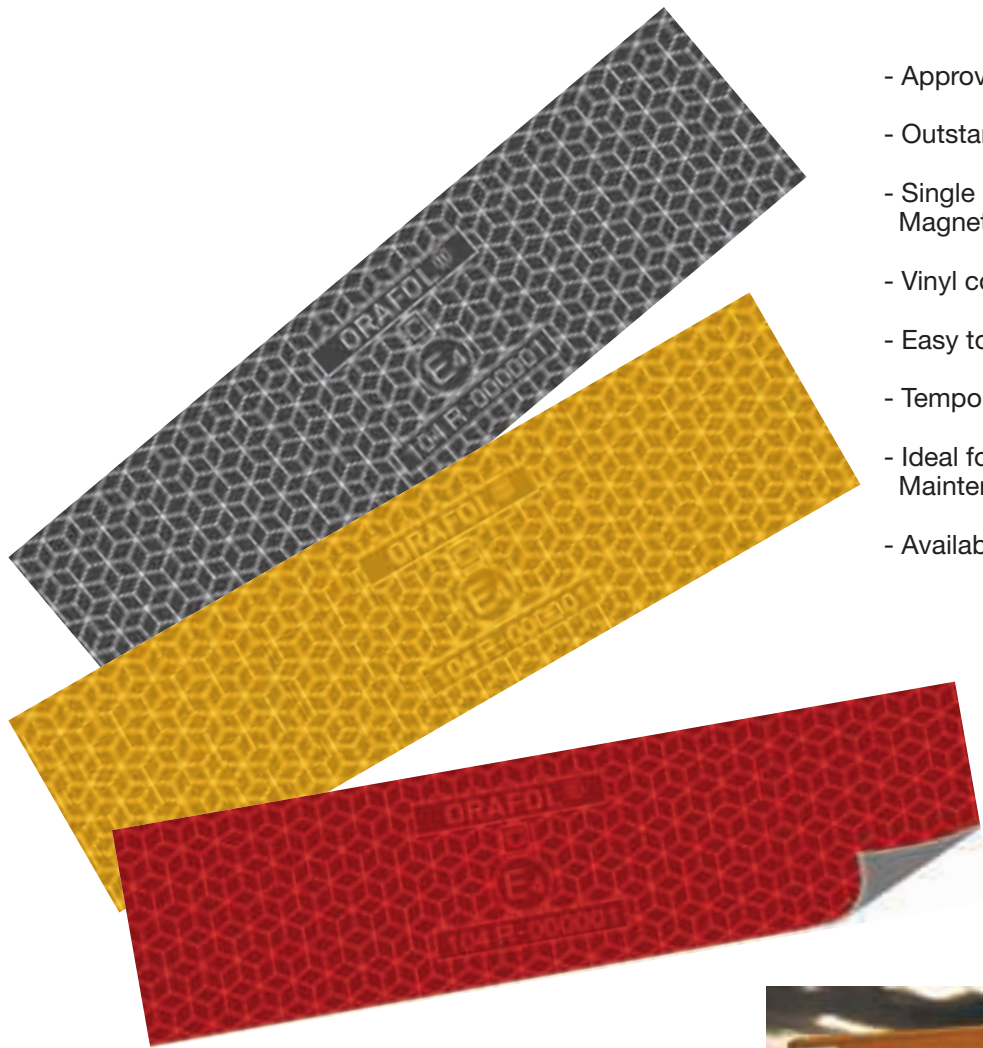
Material for the construction of Chapter 8 chevrons, useful for producing chevrons for irregular shapes




Code	Colour	Description	Dimensions mm
BC77510-150FY	FL Lime/Yellow	Oracal 7510 Chapter 8 Fluorescent Yellow Cast PVC Film	150mm x 50M
BC70612/150-R	Red	VC612 Flexibright Red Tape	150mm x 45M

# ORAFOL VC104+ MAGNETIC TAPE


ORAFOL VC104+ Reflective Magnetic Tape - ECE104 Class C approved to comply with Regulation 48.03 - signified e-mark to indicate compliancy - For Vehicles that require a temporary application.




- Approved to ECE104 Class C
- Outstanding long distance night time visibility
- Single layer prismatic construction with Magnetic 0.8mm film backing
- Vinyl construction flexes with the curtain
- Easy to handle and simple to apply
- Temporary solution for all vehicles
- Ideal for Visiting Doctors cars, Motorway Maintenance vehicles etc
- Available in 3 lengths for easy handling

 <b>ORAFOL VC104+ Yellow Magnetic Tape</b>			
Code		Roll Dimensions mm	
		L	W
BC70751-MG1	Yellow	1 metre	50
BC70751-MG5	Yellow	5 metre	50
BC70751-MG10	Yellow	10 metre	50

 <b>ORAFOL VC104+ White Magnetic Tape</b>			
Code		Roll Dimensions mm	
		L	W
BC70752-MG1	White	1 metre	50
BC70752-MG5	White	5 metre	50
BC70752-MG10	White	10 metre	50

 <b>ORAFOL VC104+ Red Magnetic Tape</b>			
Code		Roll Dimensions mm	
		L	W
BC70750-MG1	Red	1 metre	50
BC70750-MG5	Red	5 metre	50
BC70750-MG10	Red	10 metre	50





# ORAFOL VC612 FLEXIBRIGHT REFLECTIVE LIVERY FILM



- Prismatic reflective performance
- Very high brightness
- Unique handling
- Applicator user friendly
- Ability to conform to demands of vehicle shapes easy to apply even on curves
- Flexible; great for application on e.g. motorbikes
- Easy to cut and no edge sealing required
- Withstands power washes
- Potential single piece removability
- Possibility to template to far fewer pieces
- Full colour range available
- Meets PSDB specifications

















## CERTIFICATE OF REGISTRATION

*Certificate Number*

**7677**

*This Certificate has been awarded to:*

**ITALTRUCK Ltd.**

*Date First Registered*

**13/03/2014**

**Weston Lane  
Birmingham  
B11 3RR  
United Kingdom**

*Date Certificate Issued*

**09/03/2017**

*In Recognition of the Organisation's Management System which complies with:*

**ISO 9001:2015**

*Date Certificate Expires*

**13/03/2020**

*For the Scope of Activities described below:*

**Sale of commercial vehicle accessories**

*World Certification Services Ltd.  
Station Court, Ormskirk Road,  
Aintree, Liverpool, L9 5AA  
United Kingdom*

*This Certificate has been awarded by*

**WORLD CERTIFICATION SERVICES LTD.**



*Issued By:*

*Revision Date:*  
*Revision 1*

**19/02/2018**

*The use of the accreditation mark indicates accreditation in respect of those activities covered by UKAS accreditation certificate number 0060 and / or ANAB accreditation certificate number WCS - 99024139*